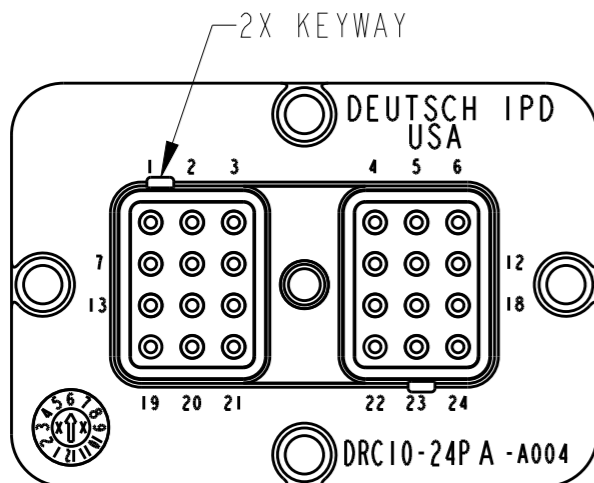
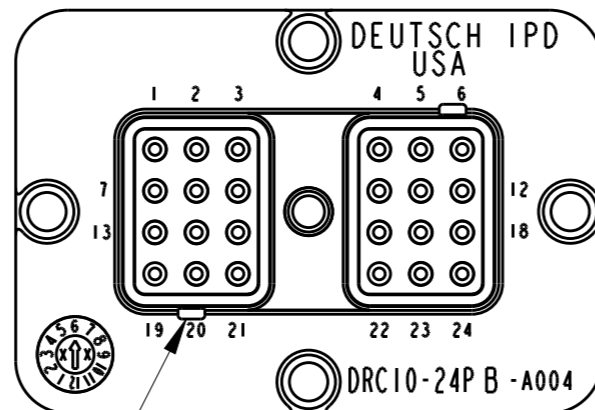


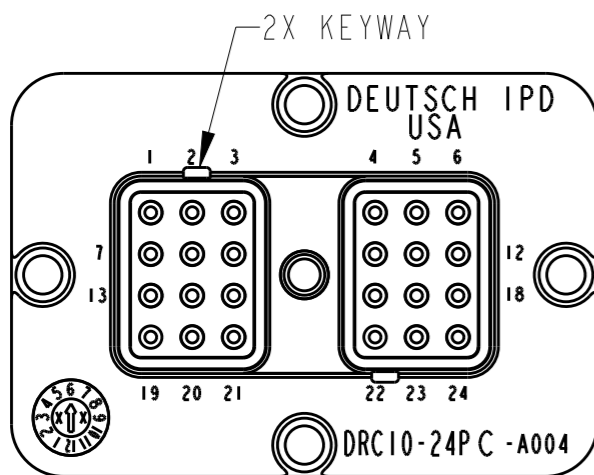
REVISIONS					
P	LTR	DESCRIPTION	DATE	DWN	APVD
	-	SEE SHEET 1	-	-	-



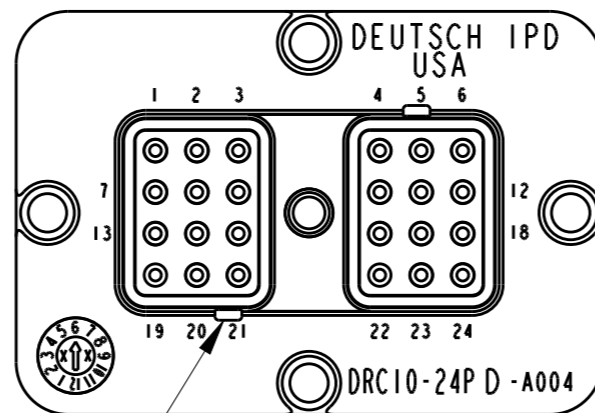
**DRC10-24PA-A004
KEY -A-**



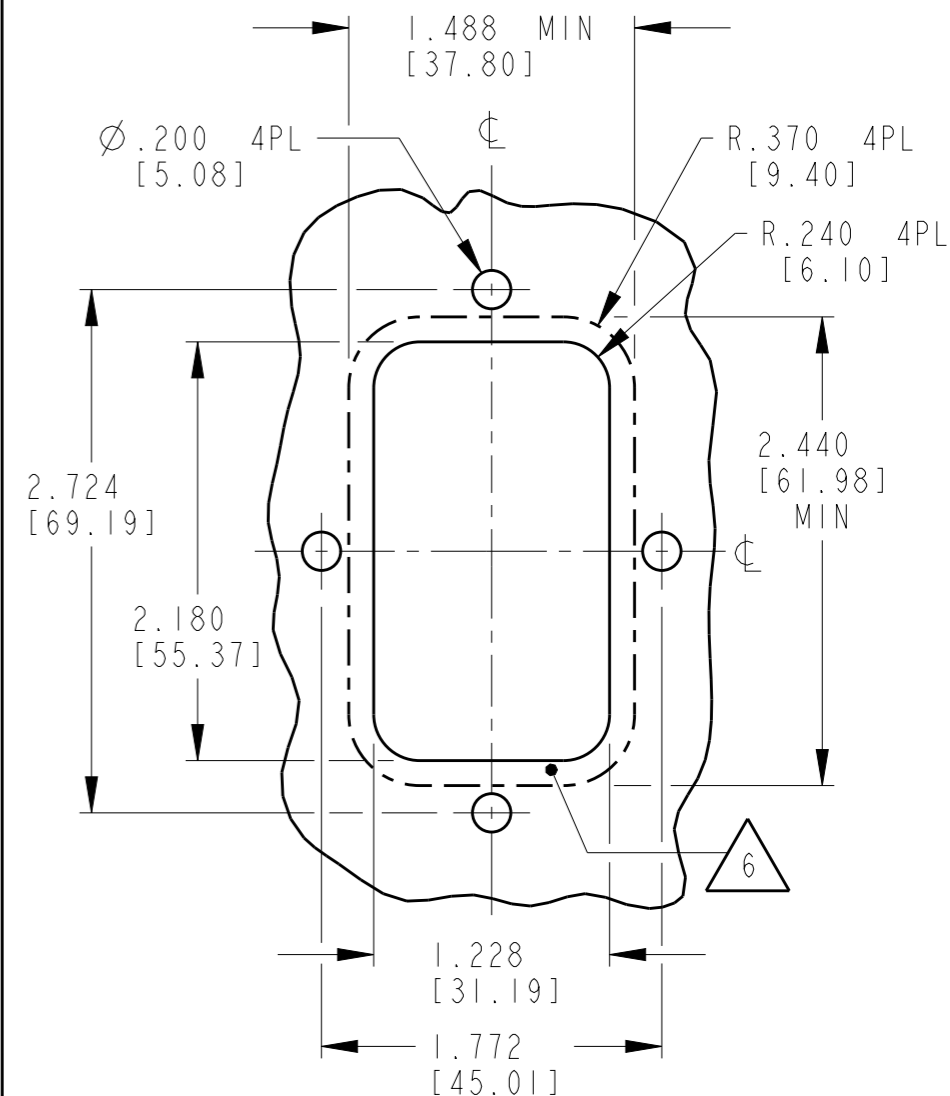
**DRC10-24PB-A004
KEY -B-**



**DRC10-24PC-A004
KEY -C-**



**DRC10-24PD-A004
KEY -D-**



RECOMMENDED CUTOUT

THIS DRAWING IS A CONTROLLED DOCUMENT.		DWN D. MEYER 17MAY2002		
DIMENSIONS: IN [mm]		CHK D. MEYER 28JUL2006		
TOLERANCES UNLESS OTHERWISE SPECIFIED:		APVD R. REED 03AUG2006	NAME RECEPTACLE, FLANGED 24 #16 SIZE CONTACTS COLOR: BLACK -A004 MOD	
0 PLC ± 1 PLC ± 2 PLC ± 3 PLC ± 4 PLC ± ANGLES ±0° 30' 0"		PRODUCT SPEC -	SIZE A3	
MATERIAL 3		APPLICATION SPEC -	CAGE CODE 4AFU8	DRAWING NO DRC10-24PX-A004
FINISH 6		WEIGHT	RESTRICTED TO -	SCALE 1:1
		CUSTOMER DRAWING	SHEET 2 OF 2	REV C