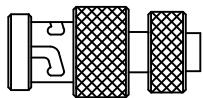
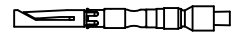
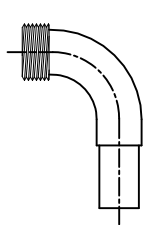


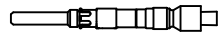
D-621-0933R/0939R
PLUG, BAYONET
CONNECTOR



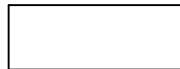
D-600-0601-01
RIGHT ANGLE TUBE
ASSEMBLY



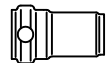
D-602-0127
SOCKET CONTACT



D-602-0126
PIN CONTACT



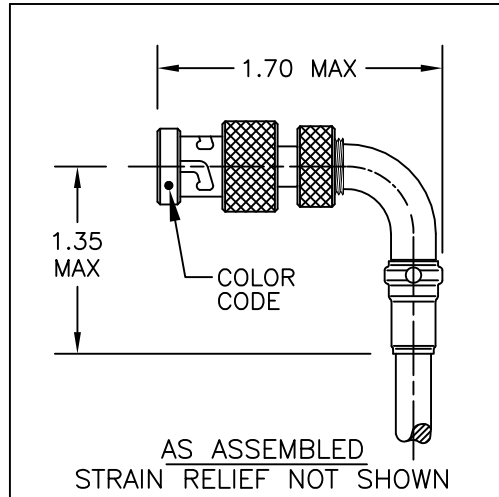
D-600-0919
STRAIN RELIEF
TUBING



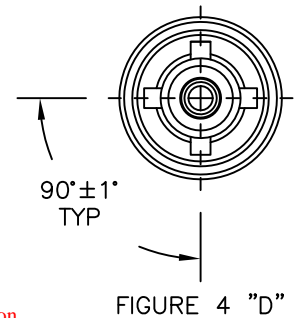
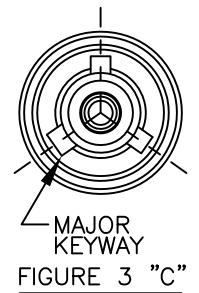
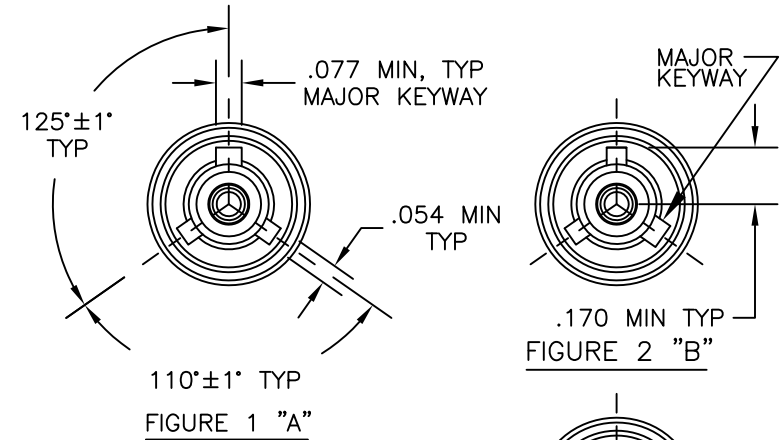
D-600-0032
BRAID TERMINATOR

TABLE 1

CONNECTOR KIT PART No.	CONTACT	INTERFACE	COLOR CODE
DK-621-0933R	----	"A" PER FIG. 1	RED
DK-621-0933R-1P	PIN		
DK-621-0933R-1S	SOCKET	"B" PER FIG. 2	WHITE
DK-621-0935R	----		
DK-621-0935R-2P	PIN	"C" PER FIG. 3	GREEN
DK-621-0935R-2S	SOCKET		
DK-621-0937R	----	"D" PER FIG. 4	NONE
DK-621-0937R-3P	PIN		
DK-621-0937R-3S	SOCKET		
DK-621-0939R	----		
DK-621-0939R-4P	PIN		
DK-621-0939R-4S	SOCKET		



REVISIONS			
LTR	DESCRIPTION	DATE	APPROVED
A	INITIAL RELEASE of DWG PER ECO-13-019246	12/9/2013	P.Goraya



SPECIFICATIONS:

- 1.0 REFER TO THE FOLLOWING TE CUSTOMER DRAWINGS FOR INDIVIDUAL COMPONENT DETAILS;
- 1.1 D-621-0933R/0939R CONNECTOR PLUG, BAYONET, RIGHT ANGLE THREADED ADAPTER, LOW OUTGASSING
- 1.2 D-600-0601-01 RIGHT ANGLE TUBE ASSEMBLY, PLATED LOW OUTGASSING
- 1.3 D-600-0126 CONTACT, PIN
- 1.4 D-600-0127 CONTACT, SOCKET
- 1.5 D-600-0032 BRAID TERMINATOR
- 1.6 D-600-0919 STRAIN RELIEF TUBING
- 2.0 PERFORMANCE REQUIREMENTS:
- 2.1 ALL EXPOSED MATERIALS SHALL MEET TML OF 1% AND CVMC OF 0.1% MAX WHEN TESTED IN ACCORDANCE WITH ASTM E595.
- 2.2 THIS PRODUCT IS NOT INTENDED FOR USE IN HIGH MOISTURE ENVIRONMENTS, NOR IS IT INTENDED FOR APPLICATIONS WHERE FLUID IMMERSION IS NECESSARY.
- 2.3 USE A LOW OUTGASSING SUITABLE ADHESIVE (CUSTOMER SUPPLIED) UPON THE THREADS OF THE RIGHT ANGLE TUBE ASSEMBLY TO ATTAIN PERFORMANCE AS DESCRIBED IN D-6025.
- 3.0 REFER TO TE TERMINATION PROCEDURE ES 61249.
- 4.0 BRAID TERMINATOR ACCOMODATES: .148 MAX CABLE DIA.

If this document is printed it becomes uncontrolled. Check for the latest revision

Raychem Databus

© 2013 Tyco Electronics Corporation. All Rights Reserved.

CUSTOMER DRAWING

UNLESS OTHERWISE SPECIFIED DIMENSIONS ARE IN INCHES AND TOLERANCES ARE: .XXX ± --- .XX ± -- Angle ± -	DRAWN G.Rositano	DATE 8/29/2013		TE Connectivity
	APPROVED P.Goraya	DATE 11/6/2013		
MATERIAL	CAD NAME D-621-0933R/0939R_CD_A		TITLE DK-621-0933R/0939R KITS RIGHT ANGLE CONNECTORS, PLUG BAYONET MOUNT, LOW OUTGASSING	
	WEIGHT (NOMINAL): 23 Grams		SIZE A	CODE IDENT. NO. 06090
FINISH	THIRD ANGLE PROJECTION	SCALE: --- DO NOT SCALE THIS DRAWING SHEET 1 OF 1		