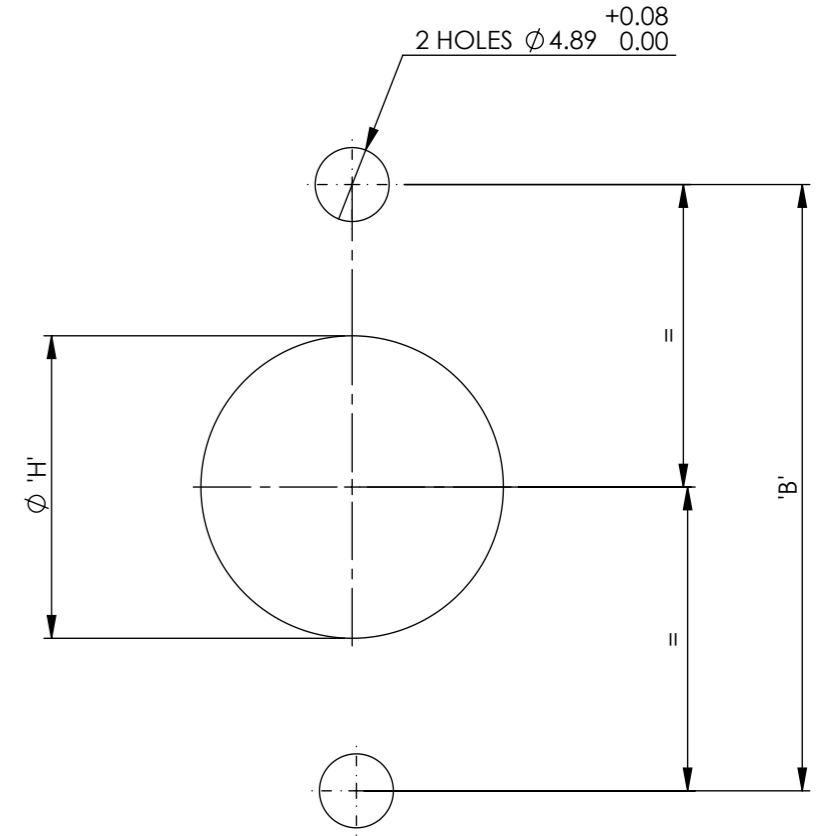


PANEL CUT-OUT

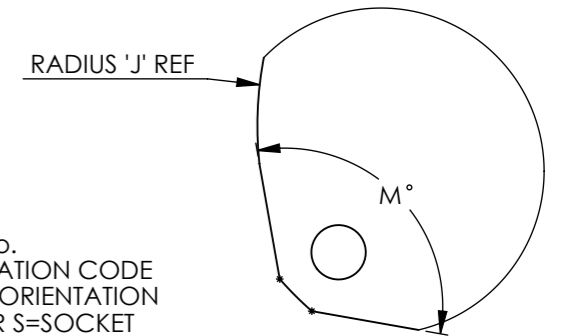


3. DETAIL A - SHELL SIZE 16 & 18

SHELL SIZE	A REF	B ±0.20	C THREAD	ØD +0.00 -0.13	E +0.15 -0.00	F +0.00 -0.13	ØG MAX	ØH ±0.10	RADIUS J ±0.10	K ±0.05	L MAX	M
8	16.50	21.40	M3 x 0.5	12.00	17.21	16.05	11.10	14.50	18.00	9.75	29.00	-
10	19.50	25.90	M3 x 0.5	15.00	17.21	16.05	14.27	17.40	21.00	11.25	33.55	-
12	24.00	29.10	M3 x 0.5	19.05	17.21	16.05	17.44	21.90	21.00	9.00	36.85	-
14	27.00	32.50	M3 x 0.5	22.22	17.21	16.05	20.60	25.00	22.30	8.90	40.05	-
16	30.30	34.80	M3 x 0.5	25.40	17.21	16.05	23.77	28.20	23.00	7.95	42.65	90°
18	33.70	38.20	M3 x 0.5	28.57	17.21	16.05	26.94	31.40	24.00	7.25	45.70	110°
20	37.00	41.60	M3 x 0.5	31.75	17.21	15.29	30.11	34.60	26.50	8.00	49.20	-
22	40.00	44.95	M3 x 0.5	34.90	17.21	15.29	33.29	37.75	28.00	8.00	52.60	-
24	43.30	49.35	M3 x 0.5	38.10	17.21	15.29	36.46	40.90	30.00	8.35	57.00	-

NOTE:-

- BATCH No. & PART No. BREAKDOWN.
DUETSCH AS 2 **-** P/S * -CLNUT RP654321
SERIES _____ BATCH No. _____
SHELL STYLE _____ MODIFICATION CODE _____
ARRANGEMENT _____ KEYWAY ORIENTATION _____
P=PIN OR S=SOCKET
- THIS CONNECTOR MAY ONLY BE MOUNTED WITH PANEL IN FRONT OF FLANGE.
- SHELL SIZE 16 & 18 REQUIRES FLATS ALONG THE Ø J DUE TO CUSTOMER CONSTRAINTS



3.

ISSUE	CHANGE NOTE	DRAWN	CHECKED	APP. ENG.	APP. MARKETING	DATE
A	62396	JCS	NDL	NDL	TH	10/04/13

CONTACT SIZE	ØX MAX	ØY MAX
22	0.72	1.25
20	0.72	1.25
16	1.57	2.61

MATERIAL	© THE COPYRIGHT OF THIS DRAWING IS RESERVED BY DEUTSCH UK. IT IS ISSUED ON CONDITION THAT IT IS NOT COPIED, REPRODUCED OR DISCLOSED TO A THIRD PARTY EITHER WHOLLY OR IN PART WITHOUT THE CONSENT IN WRITING OF DEUTSCH UK. ST LEONARDS ON SEA, EAST SUSSEX, TN38 9RF TEL. +44 (0)1424 852721	DRAWING NUMBER
HEAT TREATMENT & FINISH		
PACKAGING		
APP. I.E.D	TITLE	AS TYPE 2 RECEPT. PCB BOX MNT THREADED CLINCH NUTS. MOD -CLNUT ENVELOPE DETAILS
SCALE	2:1	
		611668-ENV