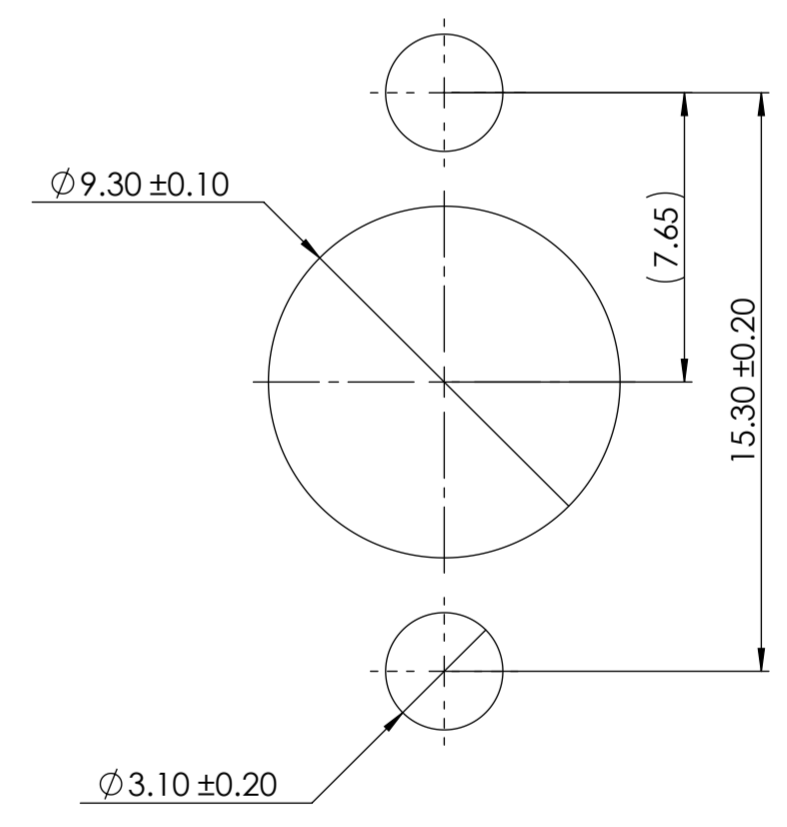
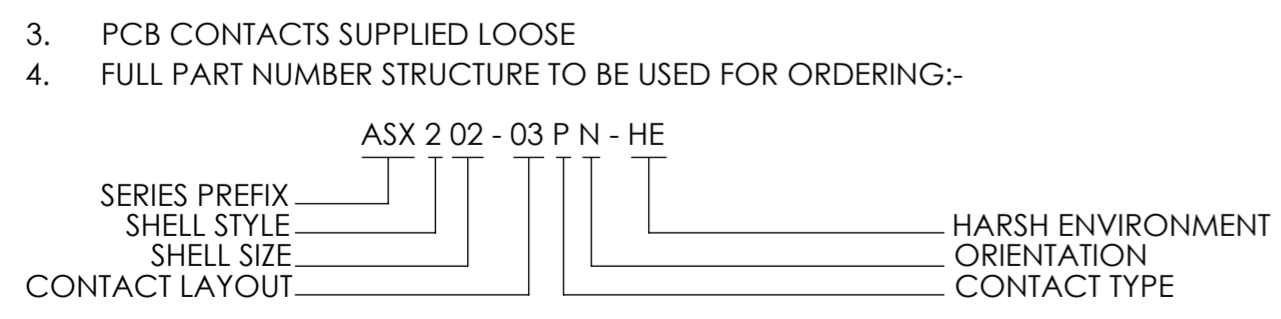
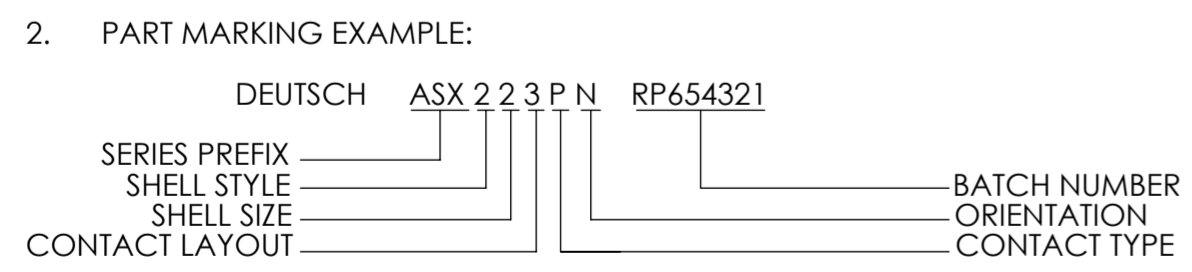


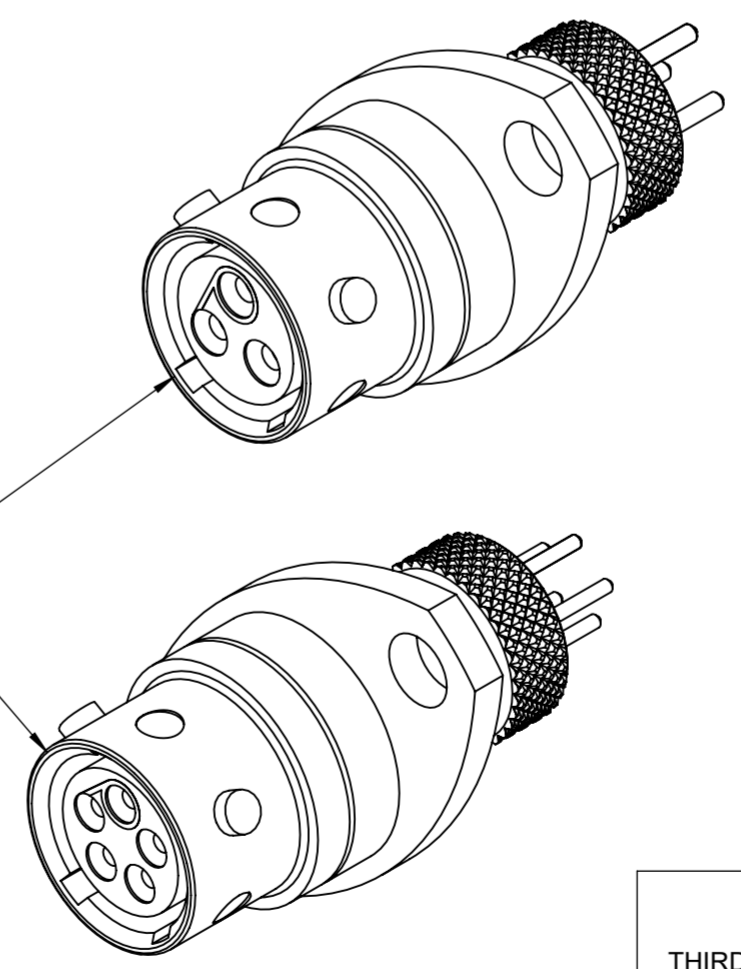
RECOMMENDED PANEL CUT OUT DETAIL



- NOTES:
- CONNECTOR ORIENTATION IDENTIFIED BY COLOUR BAND APPLIED AS BELOW.
 N - ORIENTATION = RED D - ORIENTATION = GREEN
 A - ORIENTATION = YELLOW E - ORIENTATION = GREY
 B - ORIENTATION = BLUE
 C - ORIENTATION = ORANGE



3 WAY AND 5 WAY AVAILABLE AS SHOWN



BS8888 THIRD ANGLE PROJECTION	MATERIAL:	FINISH:	 DEUTSCH TE CONNECTIVITY UK LTD., ST. LEONARDS-ON-SEA, TN38 9RF, UK.
	TITLE: TYPE: CUSTOMER DRAWING 2 HOLE RECEPT. AS SIZE 2 ENVELOPE 3 AND 5 WAY W/ PCB CONT.		
UNLESS OTHERWISE STATED: DIMENSIONS: mm [INCHES]	SIZE: A2	SCALE: 5:1	SHEET: 1 OF 1
IF IN DOUBT, ASK	DRAWING NUMBER: 610895-PCB-ENV	ISSUE: AB	

THIS INFORMATION IS CONFIDENTIAL AND PROPRIETARY TO TYCO ELECTRONICS CORPORATION AND ITS WORLDWIDE SUBSIDIARIES AND AFFILIATES (TE). IT MAY NOT BE DISCLOSED TO ANYONE, OTHER THAN TE PERSONNEL, WITHOUT AUTHORIZATION FROM TE (www.te.com).

AB	DUK-70679	JCB	KSC	RJM	CEO	04/07/2019
ISSUE	CHANGE NOTE	DRAWN	CHECKED	APP. ENG.	APP. MARKETING	DATE