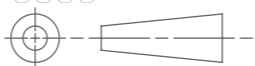


DRAWING NUMBER

610876-ENV

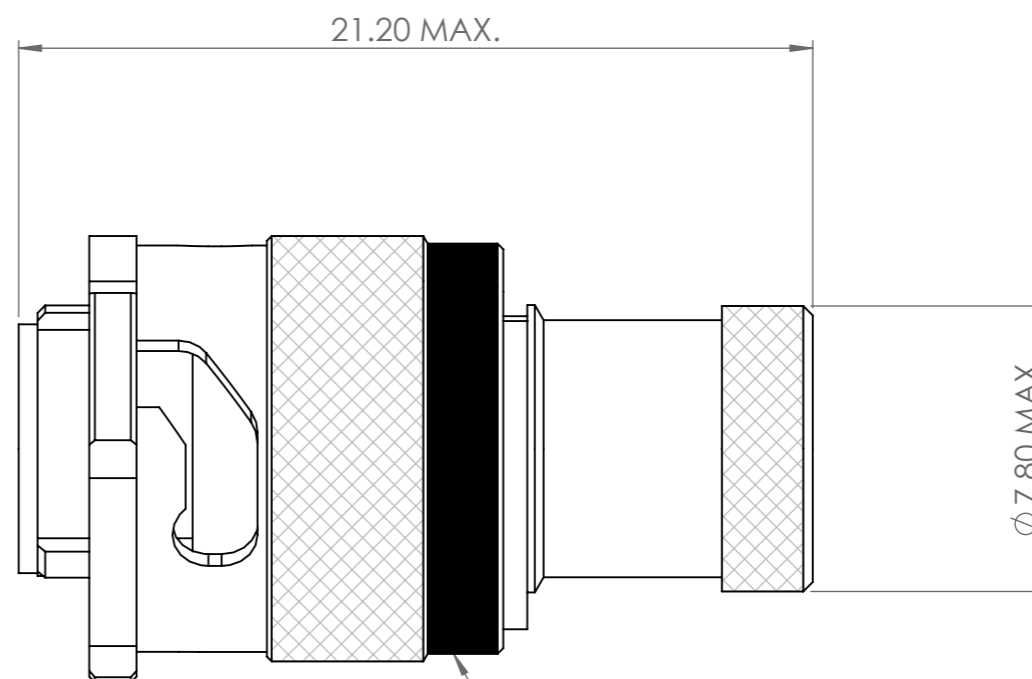
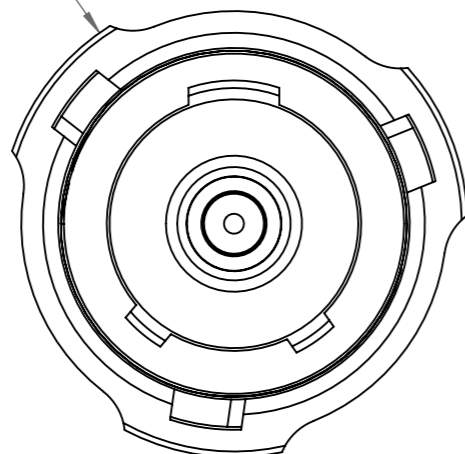
A3

BS 8888
THIRD ANGLE
PROJECTION



IF IN DOUBT, ASK

Ø 12.50 MAX.

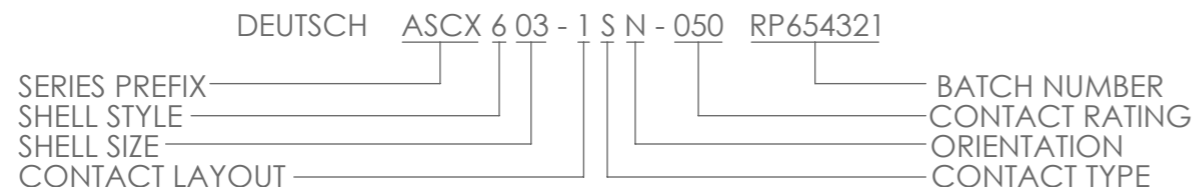


PART No. & BATCH No.
MARKED OVER COLOUR BAND
SEE NOTES 1 & 2

NOTES:

- 1. CONNECTOR ROIENTATION IDENTIFIED BY COLOUR BAND COLOUR APPLIED AS BELOW
 N ORIENTATION - RED D ORIENTATION - GREEN
 A ORIENTATION - YELLOW E ORIENTATION - GREY
 B ORIENTATION - BLUE U ORIENTATION - VIOLET
 C ORIENTATION - ORANGE

- 2. PART NUMBER, SEE BELOW FOR EXAMPLE:-



- 3. THIS PART IS RoHS COMPLIANT.
- 4. FOR COAX CONTACT ASSEMBLY INSTRUCTIONS PLEASE REFER TO 610992.

							MATERIAL	© THE COPYRIGHT OF THIS DRAWING IS RESERVED BY DEUTSCH UK. IT IS ISSUED ON CONDITION THAT IT IS NOT COPIED, REPRODUCED OR DISCLOSED TO A THIRD PARTY EITHER WHOLLY OR IN PART WITHOUT THE CONSENT IN WRITING OF DEUTSCH UK.	GENERAL TOLERANCES UNLESS OTHERWISE STATED.		 ST LEONARDS ON SEA, EAST SUSSEX, TN38 9RF TEL. +44 (0)1424 852721	DRAWING NUMBER 610876-ENV
							HEAT TREATMENT & FINISH		±0.4mm ON WHOLE NUMBERS ±0.2mm ON ONE PLACE DECIMALS ±0.1mm ON TWO PLACE DECIMALS ±1/2° ON ANGLES ±0.05mm ON DRILLED HOLES ALL DIAMETERS 0.10	TITLE		
							PACKAGING		REMOVE ALL BURRS AND SHARP EDGES 0.1 MAX. UNLESS OTHERWISE STATED.	ASCX SIZE 3 PLUG ENVELOPE DETAILS SINGLE WAY COAX SOCKET		
A	59205	ADH	NDL	NDL	D.WATERS	12/10/10	APP. I.E.D.	SCALE	2:1	DIMENSIONS IN MILLIMETRES UNLESS OTHERWISE STATED		
ISSUE	CHANGE NOTE	DRAWN	CHECKED	APP. ENG.	APP. MARKETING	DATE						