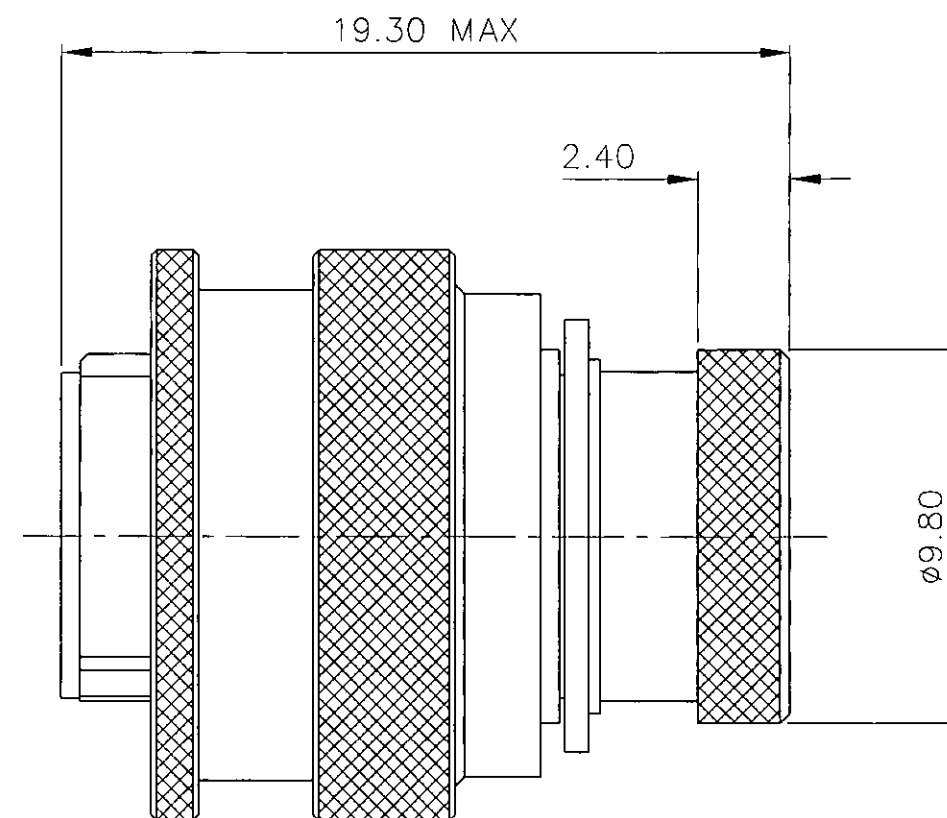
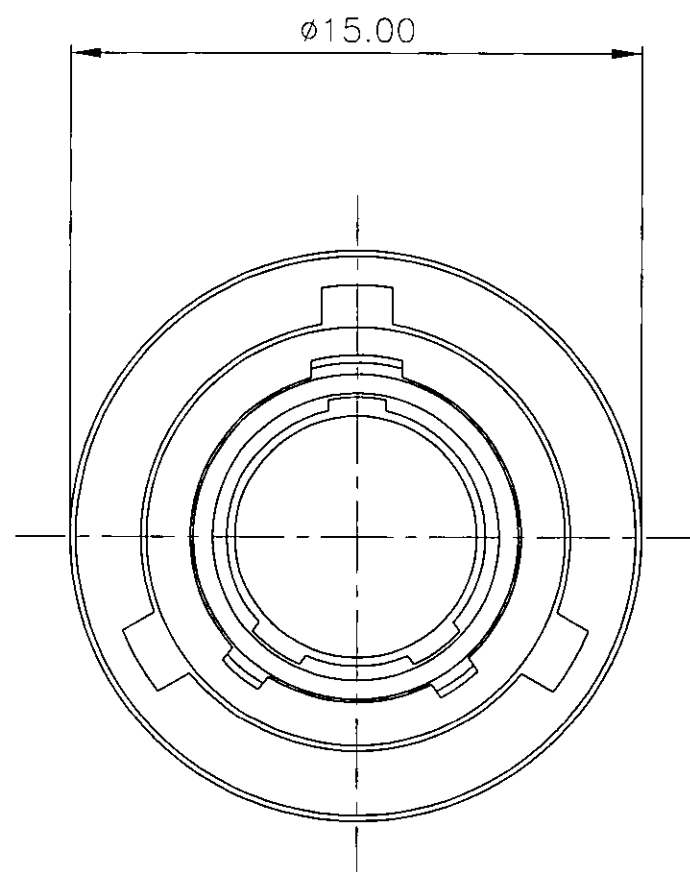
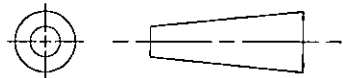


DRAWING NUMBER


605671-ENV

A3

BS 308  
THIRD ANGLE PROJECTION

## NOTES :-

1. ALL DIMENSIONS ARE FOR REFERENCE ONLY.
2. TOLERANCE ON ALL DIMENSIONS TO BE  $\pm 0.20$  UNLESS OTHERWISE STATED.

								MATERIAL		© THE COPYRIGHT OF THIS DRAWING IS RESERVED BY DEUTSCH LTD. IT IS ISSUED ON CONDITION THAT IT IS NOT COPIED, REPRODUCED OR DISCLOSED TO A THIRD PARTY EITHER WHOLLY OR IN PART WITHOUT THE CONSENT IN WRITING OF DEUTSCH LTD.	GENERAL TOLERANCES UNLESS OTHERWISE STATED. $\pm 0.4\text{mm}$ ON WHOLE NUMBERS $\pm 0.2\text{mm}$ ON ONE PLACE DECIMALS $\pm 0.1\text{mm}$ ON TWO PLACE DECIMALS $\pm 1/2^\circ$ ON ANGLES $\pm 0.05\text{mm}$ ON DRILLED HOLES  REMOVE ALL BURRS AND SHARP EDGES 0.1 MAX. UNLESS OTHERWISE STATED.	 <b>DEUTSCH LTD</b> ST LEONARDS-ON-SEA, EAST SUSSEX, TN38 9RF, TEL:(01424)852721	TITLE PLUG ASSEMBLY MICRO MK3 RALLY SPEC ENVELOPE	DRAWING NUMBER 605671-ENV
							HEAT TREATMENT & FINISH							
A	043631	NDL	PSB	<i>[Signature]</i>	16/09/03									
ISSUE	CHANGE NOTE	DRAWN	CHECKED	APP. ENG.	APP. B.U.	DATE	APP. I.E.D.			SCALE	5:1	DIMS. IN MILLIMETRES		