

NOTES:

1. **PART DESCRIPTION:** TRIAXIAL SOCKET CONTACT
MIL-C-38999 SIZE 8, TRIAXIAL CABLE

MATERIAL AND FINISH

1 BE CU ALLOY PER ASTM B 196, GOLD PLATED
PER ASTM B 488

2 POLYETHERIMIDE RESIN

3 SHIELDED CONTACT, PIN MATERIALS AND
FINISHES AS SPECIFIED ON D-602-44 SCD.

2. **CAVITY ACCOMMODATION SOCKET CONFIGURATION**
TO FIT MIL-C-38999 SERIES I, III, & IX
CONNECTORS, SIZE 8.

3. **WIRE SIZE:** CABLE BRAID TERMINATOR ASSEMBLY
WILL TERMINATE THE BRAID OF RAYCHEM TRIAXIAL
CABLE 5026A5III, 5028D53I2, RG 403/U OR EQUIVALENT
TO OUTER SOCKET HOUSING ASSEMBLY, AFTER
CENTER CONDUCTOR & INNER SHIELD HAVE BEEN
TERMINATED TO D-602-44 SHIELDED PIN CONTACT.

4. **MATING CONNECTOR:** THIS CONNECTOR WILL MATE
WITH D-602-III.

5. SEE PROCEDURE ES 61172 FOR CABLE ACCOMMODATION
AND TERMINATION PROCEDURE DETAIL

6. TRIAXIAL SOCKET CONTACT SHALL CONSIST OF OUTER SOCKET
HOUSING ASSEMBLY, D-602-44 SHIELDED CONTACT, PIN COAXIAL
CABLE, AND CABLE BRAID TERMINATOR ASSEMBLY ALL PACKAGED TOGETHER.

PERFORMANCE CHARACTERISTICS

(TEST REQUIREMENTS AND PROCEDURES SHALL BE PER MIL-C-39029
WHERE APPLICABLE)

TEMPERATURE RATING: 125° C

CURRENT RATING: 3 AMPS

VOLTAGE RATING: DIELECTRIC WITHSTAND APPLIED BETWEEN INNER CONTACT
AND MIDDLE CONTACT; AND MIDDLE CONTACT AND OUTER CONTACT
900 VOLTS RMS MAX

CONTACT RESISTANCE: INNER 10 MILLIOHM MAX.
MIDDLE 8 MILLIOHM MAX.
OUTER 60 MILLIOHM MAX.

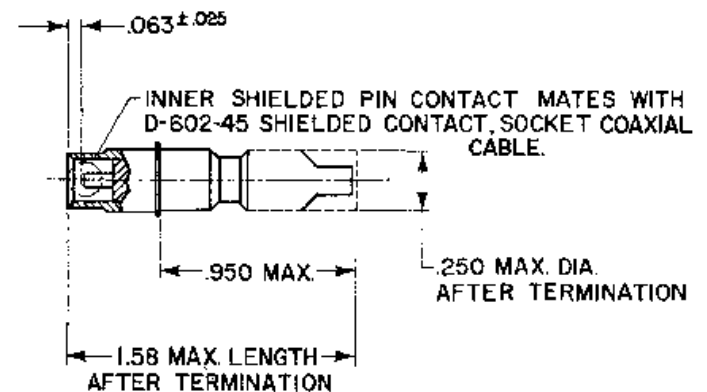
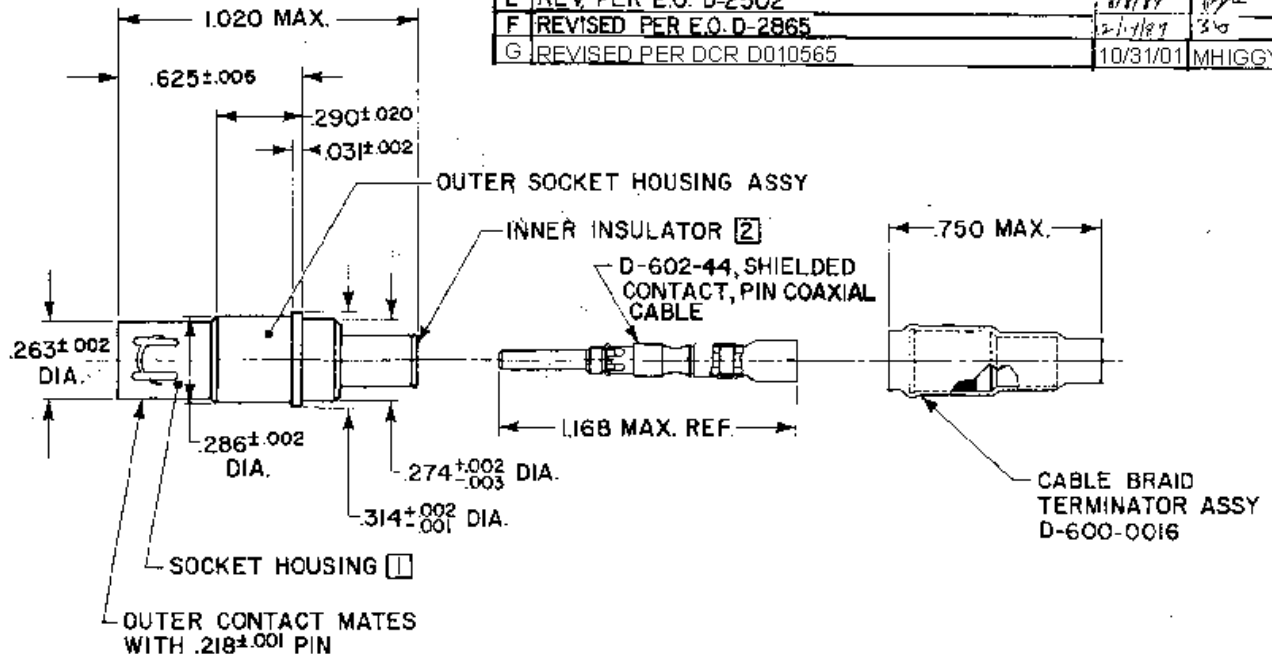
INSULATION RESISTANCE: 5.0 GIGAOHM MINIMUM

SOCKET ENGAGEMENT AND SEPARATION FORCE:

	ENGAGE (max)	SEPARATE (min)
OUTER SOCKET	48 oz	4 oz
INNER SOCKET	6.0 oz	0.5 oz

If this document is printed it becomes uncontrolled.
Check for the latest revision.

REVISIONS		
LTR	DESCRIPTION	DATE
E	REV PER E.O. D-2502	11/1/99
F	REVISED PER E.O. D-2865	2-1-1999
G	REVISED PER DCR D010565	10/31/01



SPECIFICATION CONTROL DRAWING

DRAWN	B.DEASY 10/23/01	tyco	Tyco Electronics Corporation 308 Constitutional Drive Menlo Park, CA 94025 USA	Raychem
CHECKED		TITLE		
APPROVED	<i>[Signature]</i> 10/28/01	TRIAXIAL SOCKET CONTACT		
APPROVED	<i>[Signature]</i> 10/28/01	MIL-C-38999 SIZE 8		
UN. FSS (OTHERWISE SPECIFIED DIMENSIONS ARE IN INCHES. METRIC DIMENSIONS ARE IN PARENTHESIS)		SIZE	CODE IDENT NO.	DWG NO.
DO NOT SCALE THIS DRAWING		C	06090	D-602-1110
		WEIGHT	SHEET 1 OF 1	