

NOTES:

1. PART DESCRIPTION: TRIAXIAL PIN CONTACT MIL-C-38999 SIZE 8, TWINAXIAL CABLE

MATERIAL AND FINISH

1 BRASS ALLOY PER QQ-B-626, GOLD PLATED PER MIL-G-45204

2 POLYETHERIMIDE RESIN

3 SHIELDED CONTACT, SOCKET MATERIALS AND FINISHES AS SPECIFIED ON D-602-0127 SCD.

2. CAVITY ACCOMMODATION: PIN CONFIGURATION TO FIT MIL-C-38999 SERIES I, III, & IV CONNECTORS, SIZE 8

3. WIRE SIZE: CABLE BRAID TERMINATOR ASSEMBLY WILL TERMINATE THE BRAID OF RAYCHEM DATA BUS CABLES 10602 AND 10595, OR EQUIVALENT TO OUTER PIN HOUSING ASSEMBLY, AFTER INNER CONDUCTORS HAVE BEEN TERMINATED TO D-602-0127 SHIELDED SOCKET CONTACT

4. MATING CONNECTOR: THIS CONNECTOR WILL MATE WITH D-602-1108

5. SEE PROCEDURE ES 61172 FOR CABLE ACCOMMODATION AND TERMINATION PROCEDURE DETAIL

6. TRIAXIAL PIN CONTACT SHALL CONSIST OF OUTER PIN HOUSING ASSEMBLY D-602-0127 SHIELDED CONTACT, SOCKET TWISTED PAIR, AND CABLE BRAID TERMINATOR ASSEMBLY ALL PACKAGED TOGETHER

PERFORMANCE CHARACTERISTICS:

(TEST REQUIREMENTS AND PROCEDURES SHALL BE PER MIL-C-39029 WHERE APPLICABLE)

TEMPERATURE RATING: 125° C

CURRENT RATING: 3 AMPS

VOLTAGE RATING: DIELECTRIC WITHSTAND APPLIED BETWEEN INNER CONTACT AND MIDDLE CONTACT; AND MIDDLE CONTACT AND OUTER CONTACT 900 VOLTS RMS MAX

CONTACT RESISTANCE: INNER 10 MILLIOHM MAX. MIDDLE 8 MILLIOHM MAX. OUTER 60 MILLIOHM MAX.

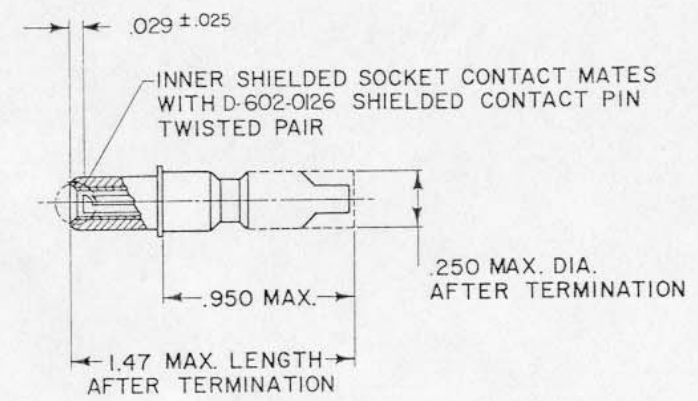
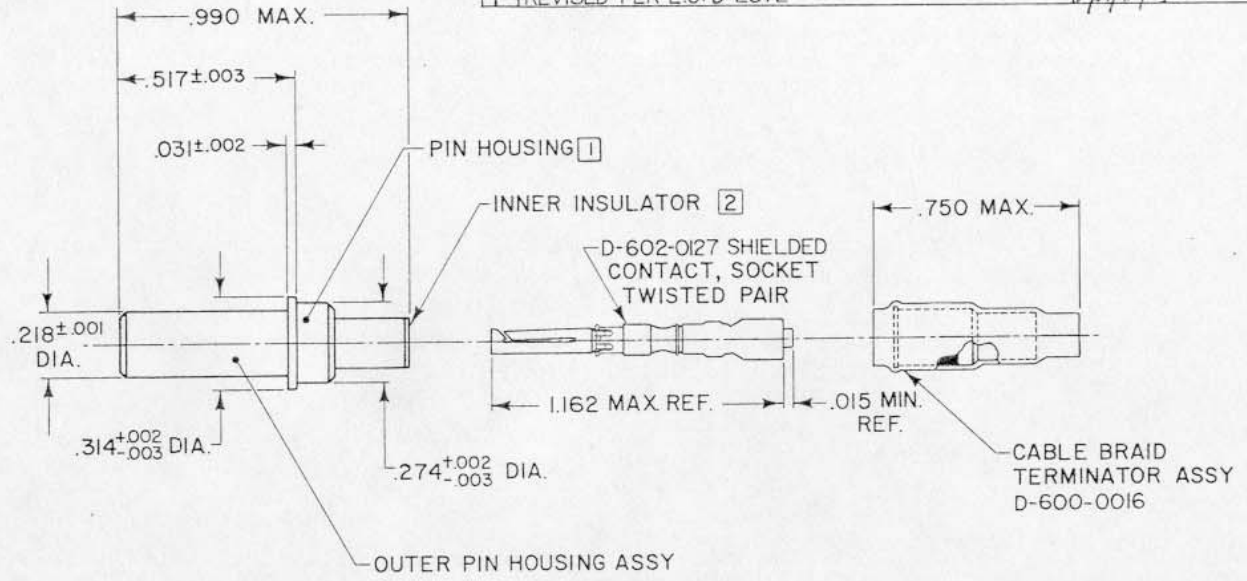
INSULATION RESISTANCE: 5.0 GIGAOHM MINIMUM

SOCKET ENGAGEMENT AND SEPARATION FORCE:

	ENGAGE (max)	SEPARATE (min)
INNER SOCKET	16 oz	1.75 oz

If this document is printed it becomes uncontrolled. Check for the latest revision.

REVISIONS		
LTR	DESCRIPTION	DATE
F	REVISED PER E.O. D-2872	12/11/84
		APPROVED



SPECIFICATION CONTROL DRAWING

DRAWN	Starlie	10 APR 81	<b>tyco</b> Tyco Electronics Corporation 300 Constitution Drive Melb Park, CA 94025 USA <b>Raychem</b>	TITLE	TRIAXIAL PIN CONTACT MIL-C-38999 SIZE 8 TWINAXIAL CABLE		
CHECKED				SIZE		C	
APPROVED	JHR	7-28-81		CODE IDENT. NO.		06090	
APPROVED	RO	7/29/81		DWG. NO.		D-602-1109	
UNLESS OTHERWISE SPECIFIED DIMENSIONS ARE IN INCHES. METRIC DIMENSIONS ARE IN PARENTHESIS			WEIGHT		SHEET	OF	
DO NOT SCALE THIS DRAWING							