

2

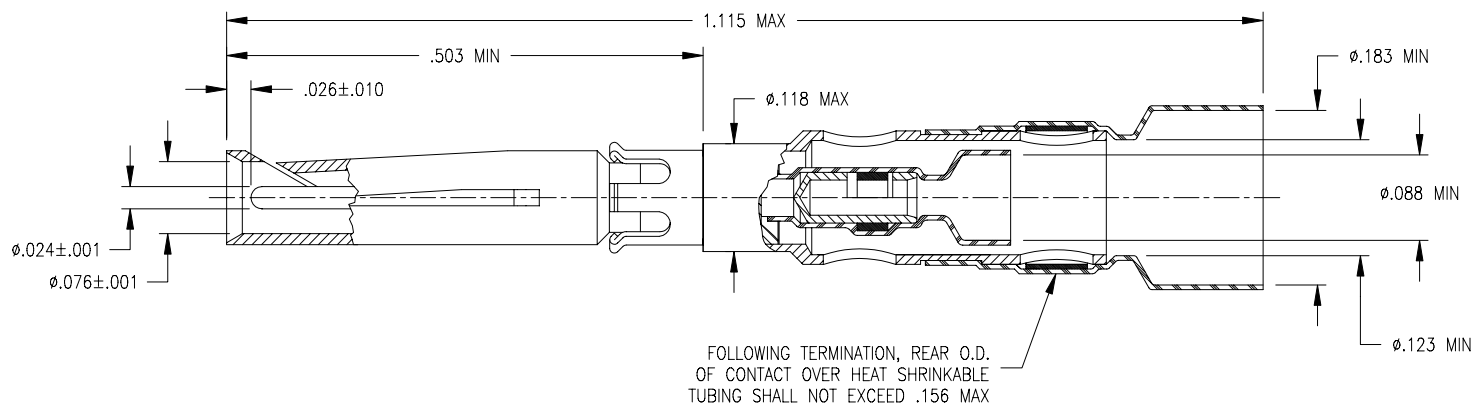


1

THIS DRAWING AND THE INFORMATION SET FORTH HEREON ARE THE PROPERTY OF TYCO ELECTRONICS CORPORATION, AND ARE TO BE HELD IN TRUST AND CONFIDENCE. PUBLICATION, DUPLICATION, DISCLOSURE, OR USE FOR ANY PURPOSE NOT EXPRESSLY AUTHORIZED IN WRITING BY TYCO ELECTRONICS IS PROHIBITED.

If this document is printed it becomes uncontrolled.
Check for the latest revision.

REVISIONS			
LTR	DESCRIPTION	DATE	APPROVED
A	REVISED PER ECN# T-10150	6/22/88	MHIGGY
B	REVISED PER ECN# T-19089	4/19/94	MHIGGY
C	REVISED PER DCR# D030454	10/31/03	MHIGGY



NOTES:

- THIS CONTACT IS DESIGNED TO BE USE WITH D-602-1116 TRIAXIAL CONTACT.
- THIS CONTACT IS DESIGNED TO TERMINATE TO RAYCHEM CABLE 5022E5111 AND 9530D5317. OTHER APPLICATIONS SHOULD BE SUBMITTED TO RAYCHEM FOR EVALUATION.
- FOR TERMINATION PROCEDURE, SEE RAYCHEM SPECIFICATION ES 61406.
- MATING CONTACT (FOR SIMILAR CABLES): D-602-0152.

CONTACT CHARACTERISTICS:

MATERIALS:

- CONTACT MEMBERS: COPPER ALLOY PER ASTM B16/B16M AND ASTM B196.
CONTACT PLATING: GOLD PER ASTM B488 (MIL-G-45204), NICKEL PER AMS QQ-N-290, OVER COPPER FLASH.
- RETAINING CLIP: COPPER ALLOY PER ASTM B194.
PLATING: NICKEL PLATED PER AMS QQ-N-290 OVER COPPER FLASH.
- DIELECTRIC: ETFE FLUOROPOLYMER PER ASTM D3159.
- SOLDER: SN63 PER ANSI/J-STD-006.
FLUX: ROL1 PER ANSI/J-STD-004.
- CABLE SUPPORT TUBING: HEAT-SHRINKABLE, RADIATION CROSS-LINKED POLYVINYLIDENE FLUORIDE.

PERFORMANCE:

- TEMPERATURE RATING: 125°C MAXIMUM
 CURRENT RATING: 3 AMPS
 VOLTAGE RATING: DIELECTRIC WITHSTANDING VOLTAGE: 900 VOLTS RMS, MAXIMUM.
 CONTACT RESISTANCE: 10 MILLIOHMS MAXIMUM (INNER)
 8 MILLIOHMS MAXIMUM (OUTER)
 INSULATION RESISTANCE: 5000 MEGAOHMS MINIMUM.
 ENGAGEMENT FORCE: OUTER SOCKET: 20.0 OZ. MAXIMUM
 SEPARATION FORCE: OUTER SOCKET: 2.0 OZ. MINIMUM

SPECIFICATION CONTROL DRAWING

UNLESS OTHERWISE SPECIFIED
DIMENSIONS ARE IN INCHES.
METRIC DIMENSIONS ARE
IN BRACKETS.

DECIMALS
 .XXX ± _____
 .XX ± _____
 ANGLES _____

WEIGHT

DRAWN	MFORONDA	09.17.03
CHECKED		
APPROVED	M.HIGGY	09.17.03
APPROVED		
CAD NAME:	D030454.dwg	

tyco
Electronics

Tyco Electronics Corporation
300 Constitution Drive
Menlo Park, CA. 94025 U.S.A.

Raychem

TITLE

SHIELDED CONTACT, SOCKET
COAXIAL CABLE

SIZE	CODE IDENT. NO.	DWG. NO.	REV
A	06090	D-602-0153	C
DO NOT SCALE THIS DRAWING		SHEET 1 OF 1	

2



1