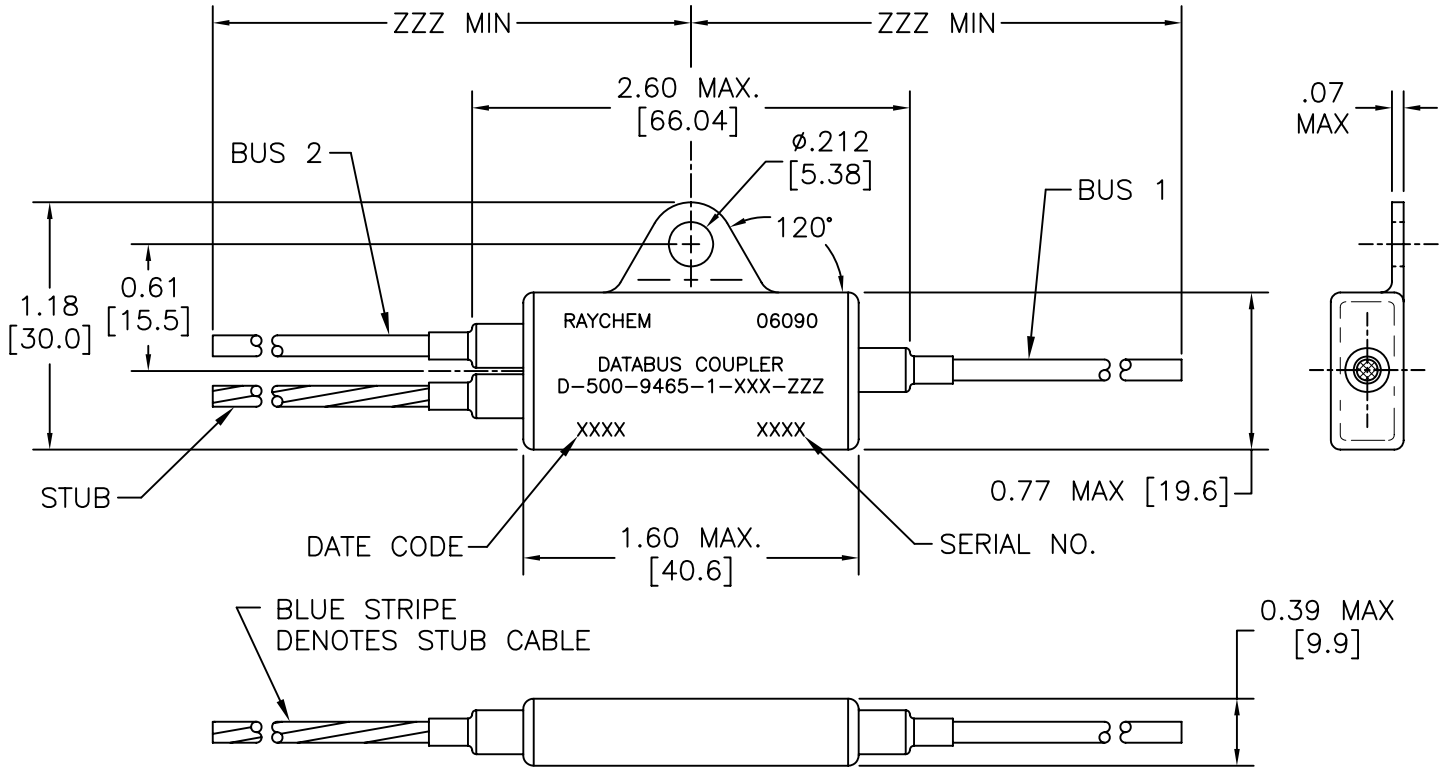


REVISION		
REV	DESCRIPTION	DATE
H	ADD END VIEW/.07 MAX PER ECO-13-005949	4/04/2013



PART NO. D-500-9465-1-XXX-ZZZ

1=SINGLE STUB

LENGTH OF CABLE (INCHES)

CABLE

- S16 = OPTIMIZED SINGLE SHIELD
- S36 = OPTIMIZED DOUBLE SHIELD
- S86 = EMP HARDENED

COMONENT NUMBER	BUS CABLE	STUB CABLE
D-500-9465-1-S16-ZZZ	7724S1664-9	7724S1664-96
D-500-9465-1-S36-ZZZ	7724S3664-9	7724S3664-96
D-500-9465-1-S86-ZZZ	7724S8664-9	7724S8664-96

If this document is printed it becomes uncontrolled. Check for the latest revision

© 2006-2013 Tyco Electronics Corporation. All Rights Reserved.

Raychem Databus CUSTOMER DRAWING



TE Connectivity

DIMENSIONING AND TOLERANCING PER ASME Y14.5M-2009	
UNLESS OTHERWISE SPECIFIED DIMENSIONS ARE INCHES. METRIC DIMENSIONS ARE IN BRACKETS.	
DECIMAL TOLERANCES	
.XXX ± .005	[0.13 mm]
.XX ± .010	[0.25 mm]
.X ± .020	[0.50 mm]
ANGLE TOLERANCE	
.X	± .5 DEG.
WEIGHT	
LBS 0.0287	[13.0 gm]
CAD FILE	
D-500-9465-1-XXX-ZZZ_CDα_H	

DRAWN	T. Ratzlaff	DATE	20Feb2001
MATERIAL			
FINISH			
THIRD ANGLE PROJECTION			

TITLE		
DATABUS MICROCOUPLER SINGLE STUB, STD W/MTG LUG LOW OUTGASSING		
SIZE	CODE IDENT. NO.	DWG. NO.
A	06090	D-500-9465-1-XXX-ZZZ
DO NOT SCALE THIS DRAWING		SHEET 1 OF 2

1. MATERIAL AND FINISHES:

1.1 INTERNAL COMPONENTS

1.1.1 TRANSFORMER TO MIL-PRF-21038 AND MIL-STD-1553B

1.1.2 ISOLATION RESISTORS TO MIL-PRF-39007/8, 57.6 OHMS

1.1.3 INTERNAL AND EXTERNAL COMPONENTS ATTACHED USING SN96 SOLDER

1.2 SHIELDED CASE: ALUMINUM PER ASTM-B618.

1.2.1 CASE FINISH: 65/35 Sn/Ni ALLOY, .0002/.0003 THK.

1.3 CABLE TYPE PER RAYCHEM SPECIFICATION 1200 (SEE TABLE ON SHEET 1).

1.4 STRAIN RELIEF TUBING: RAYCHEM RT-220, LOW OUTGASING TUBING.

2. APPLICATION:

2.1 THIS COUPLER IS DESIGNED TO BE INSTALLED INTO A DIGITAL MULTIPLEX HARNESS MEETING THE REQUIREMENTS OF MIL-STD-1553B AND NASA'S OUTGASING SPECIFICATION SP-R-0022A.

2.1.1 THIS PRODUCT IS ASSEMBLED USING LOW OUTGASING MATERIALS.

2.1.2 THIS PRODUCT IS NOT INTENDED FOR USE IN HIGH MOISTURE ENVIRONMENTS, NOR INTENDED FOR APPLICATIONS WHERE FLUID IMMERSION IS NECESSARY.

2.2 FOR CABLE SPLICING USE SPLICE KIT D-150-9708-5 (NOT SUPPLIED).

2.3 CABLE BEND RADIUS PER SAE-AS50881 STATIC BEND: 5 X CABLE O.D. MIN.
DYNAMIC BEND: 10 X CABLE O.D. MIN.

3. TEMPERATURE:

3.1 OPERATING TEMPERATURE: -65°C TO +150°C CONTINUOUS.

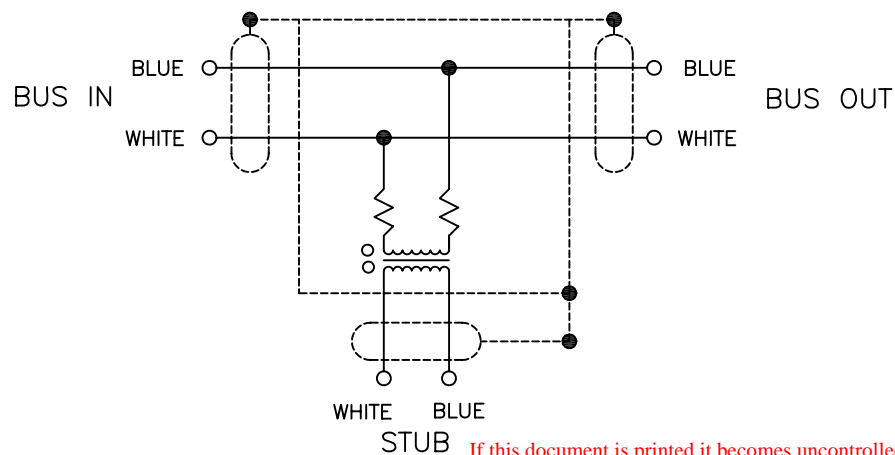
4. PERFORMANCE SPECIFICATIONS:

4.1 TRANSFORMER MEETS THE PERFORMANCE REQUIREMENTS OF MIL-STD-1553B.

5. WEIGHT:

5.1 MAXIMUM WEIGHT WITHOUT CABLE: 13 GRAMS MAX.

SINGLE STUB COUPLER SCHEMATIC



If this document is printed it becomes uncontrolled. Check for the latest revision

© 2006-2013 Tyco Electronics Corporation. All Rights Reserved. Raychem Databus CUSTOMER DRAWING

DRAWN T RATZLAFF		SIZE A	CODE IDENT. NO. 06090	DWG. NO. D-500-9465-1-XXX-ZZZ	REV H
DATE 20FEB2001		CAD FILE D-500-9465-1-XXX-ZZZ_CDb_H	DO NOT SCALE THIS DRAWING	SHEET 2 OF 2	