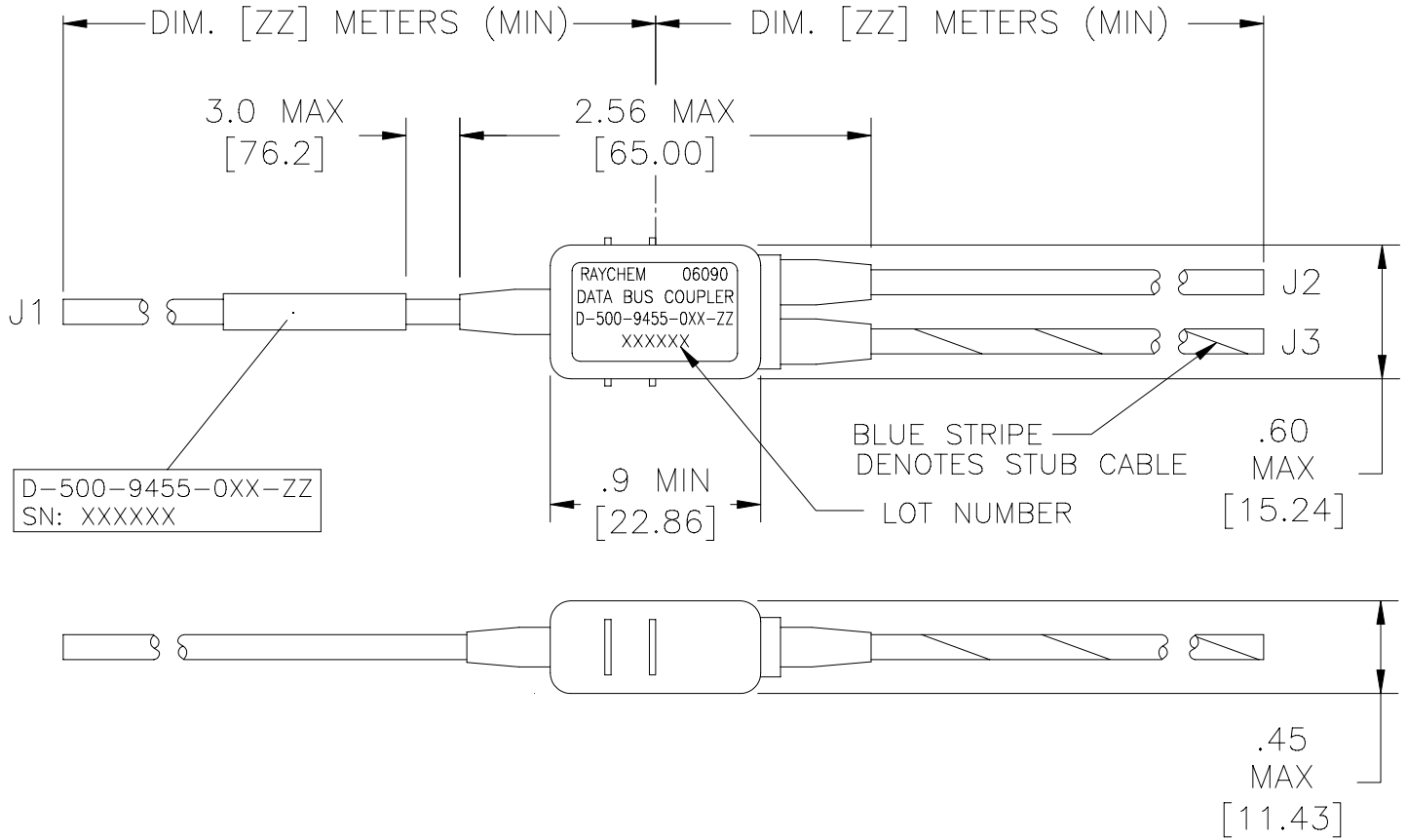


REVISION		
REV	DESCRIPTION	DATE
A	INITIAL RELEASE PER DCR NUMBER T31968	12AUG2003



COMPONENT NUMBER	EN3567 PRODUCT NAME	BUS CABLE	STUB CABLE
D-500-9455-022-ZZ	N/A	10612-24-9	10612-24-96
D-500-9455-023-ZZ	N/A	10613-24-9	10613-24-96
D-500-9455-024-ZZ	N/A	10614-24-9	10614-24-96
D-500-9455-033-ZZ	N/A	EPD30653Q	EPD31346A-6L9
D-500-9455-042-ZZ	EN3567-003-A-ZZ	EPD44691R	EPD44690R
D-500-9455-043-ZZ	EN3567-003-B-ZZ	EPD44693R	EPD44692R
D-500-9455-044-ZZ	EN3567-003-C-ZZ	EPD44695R	EPD44694R

**If this document is printed it becomes uncontrolled.  
Check for the latest revision.**

SPECIFICATION CONTROL DRAWING

UNLESS OTHERWISE SPECIFIED DIMENSIONS ARE INCHES. METRIC DIMENSIONS ARE IN BRACKETS.  DECIMAL TOLERANCES .XXX ± 0.005 [ 0.13 mm] .XX ± 0.010 [ 0.25 mm] .X ± 0.020 [ 0.50 mm]  ANGLE TOLERANCE .X ± 0.5 DEG.  WEIGHT, WITHOUT CABLE LBS. 0.0220 [ 10.0gm]	DRAWN T RATZLAFF	DATE 12AUG2003			TYCO ELECTRONICS 300 CONSTITUTION DRIVE MENLO PARK, CA 94025	Raychem
	MATERIAL FINISH			TITLE DATA BUS COUPLER, SINGLE STUB, STANDARD		
THIRD ANGLE PROJECTION 			SIZE A	CAGE CODE 06090	DWG. NO. D-500-9455-0XX-ZZ	
DO NOT SCALE THIS DRAWING					SHEET 1 OF 2	
CAD FILE T31968A.DWG						

1. MATERIAL AND FINISHES:

1.1 INTERNAL COMPONENTS:

1.1.1 TRANSFORMER TO MIL-PRF-21038 AND MIL-STD-1553B.

1.1.2 RESISTORS TO MIL-PRF-39007/9, 57.6 OHMS.

1.2 SHIELDED CASE: ALUMINUM PER ASTM-B618.

1.3 SEALED STRAIN RELIEF COVER: MODIFIED CROSS-LINKED ELASTOMER, BLACK, TO RAYCHEM SPECIFICATION RK-6713.

1.4 CABLE TYPE PER RAYCHEM SPECIFICATION 1200 (SEE PART NO. ON SHEET 1).

1.5 IDENTIFICATION MARKER: FLAME RETARTED POLYOLEFIN PER SAE AMS-DTL-23053/5.

2. APPLICATION:

2.1 THIS COUPLER IS DESIGNED TO BE INSTALLED AS A DIGITAL MULTIPLEX ASSEMBLY MEETING THE REQUIREMENTS OF MIL-STD-1553B.

2.2 FOR CABLE SPLICING USE FLEXIBLE SPLICE KIT D-150-0708-5 (NOT SUPPLIED).

2.3 CABLE BEND RADIUS PER SAE-AS50881 STATIC BEND: 5 x CABLE O.D. MIN.,  
DYNAMIC BEND: 10 x CABLE O.D. MIN.

3. TEMPERATURE:

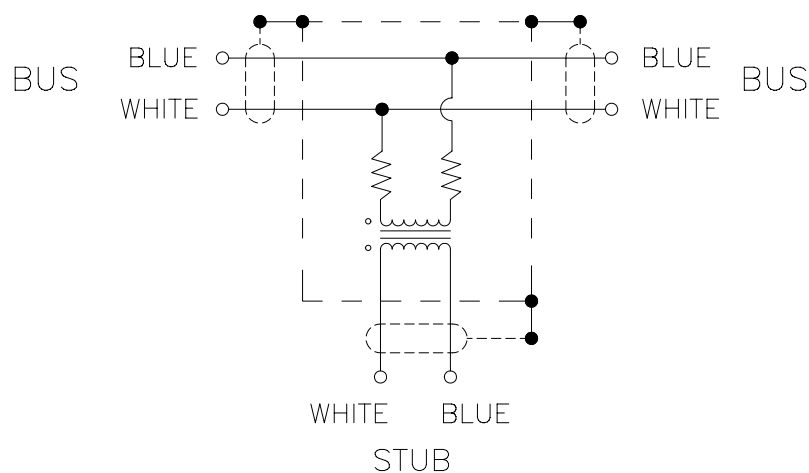
3.1 OPERATING TEMPERATURE: -65°C TO +150°C

4. PERFORMANCE SPECIFICATIONS:

4.1 TRANSFORMER MEETS THE PERFORMANCE REQUIREMENTS OF MIL-STD-1553B.

4.2 COUPLER MEETS THE PERFORMANCE REQUIREMENTS OF RAYCHEM SPECIFICATION D-6020.

SINGLE STUB COUPLER SCHEMATIC



**If this document is printed it becomes uncontrolled.  
Check for the latest revision.**

SPECIFICATION CONTROL DRAWING

DRAWN  
T RATZLAFF  
DATE  
12AUG2003

CAD FILE  
T31968B.DWG

**tyco**  
**Electronics**

SIZE  
A  
CAGE CODE  
06090  
DWG. NO.  
D-500-9455-0XX-ZZ  
REV  
A

DO NOT SCALE THIS DRAWING

SHEET 2 OF 2