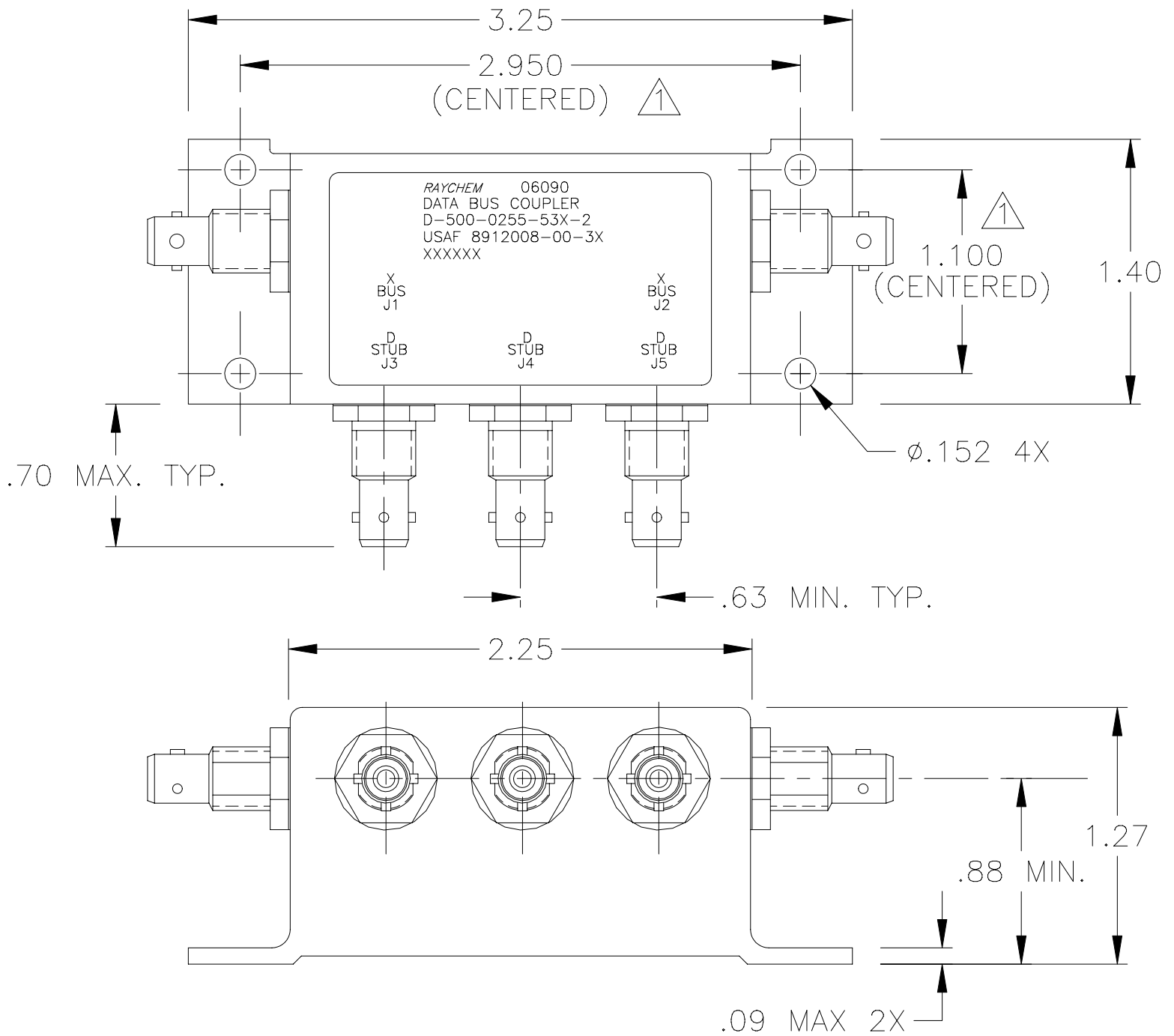


| REVISIONS | | | |
|-----------|-------------------------|----------|----------|
| LTR | DESCRIPTION | DATE | APPROVED |
| A | REVISED PER ECN T-20025 | 95APR20 | Z.E.T. |
| B | REVISED PER ECN T-21779 | 10/20/97 | Z.E.T. |

① HOLE PATTERN MACHINED SYMMETRIC TO MOUNTING FLANGE.



SPECIFICATION CONTROL DRAWING

If this document is printed it becomes uncontrolled.
Check for the latest revision.

UNLESS OTHERWISE SPECIFIED
DIMENSIONS ARE IN INCHES.
METRIC DIMENSIONS ARE
IN BRACKETS.

DECIMALS
.XXX ± .010 [— mm]
.XX ± .03 [— mm]

ANGLES
.X ± —

WEIGHT
120 GRAMS MAX.

| | | |
|------------------------|---------|---------|
| DRAWN | J.B.K. | 91MAY22 |
| CHECKED | Z.E.T. | 91JUN10 |
| APPROVED | | |
| APPROVED | | |
| CAD NAME | T21779a | |
| THIRD ANGLE PROJECTION | | |

| | | | | | |
|--|-----------------|--|--------------|--|--|
| | | Tyco Electronics Corporation 300 Constitution Drive Menlo Park, CA. 94025 U.S.A. | | | |
| TITLE | | | | | |
| 3 STUB DATA BUS BAYONET COUPLER WITH TRIAXIAL CONNECTORS | | | | | |
| SIZE | CODE IDENT. NO. | DWG. NO. | REV | | |
| A | 06090 | D-500-0255-53X-2 | B | | |
| DO NOT SCALE THIS DRAWING | | | SHEET 1 OF 2 | | |

1.0 INTERMATEABILITY

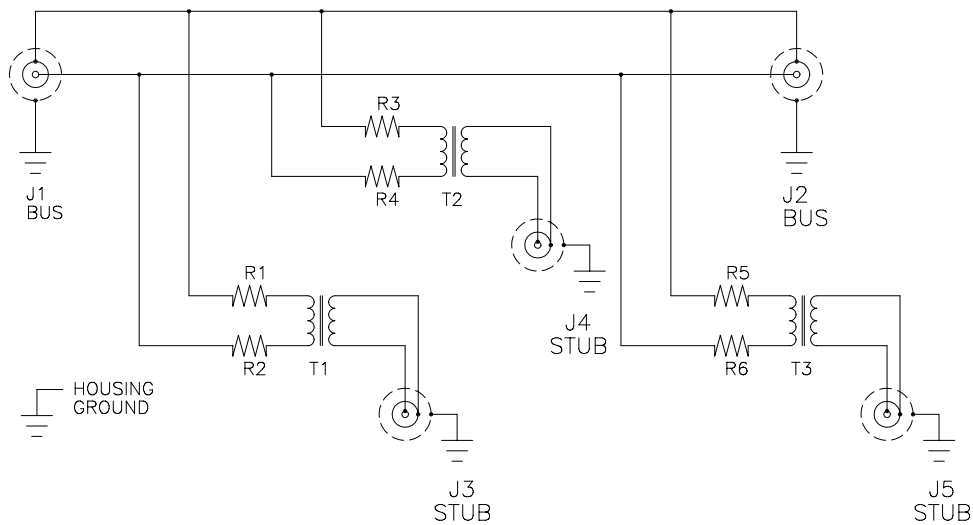
| CONNECTOR BOX JACK | MATING PLUG |
|-----------------------------------|-----------------------------------|
| DK-621-0434-1S (8912004-00-05) | DK-621-0433-1P (8912003-00-01) |
| DK-621-0436-2S (8912004-00-06) | DK-621-0435-2P (8912003-00-02) |
| DK-621-0438-3S (8912004-00-07) | DK-621-0437-3P (8912003-00-03) |
| DK-621-0440-4P (8912004-00-04) | DK-621-0439-4S (8912003-00-08) |

2.0 PERFORMANCE

- 2.1 THIS COUPLER IS DESIGNED TO MEET THE APPLICABLE FUNCTIONAL REQUIREMENT OF RAYCHEM SPECIFICATION D-6021 AND USAF 8912008.
- 2.2 THE COUPLER SHALL OPERATE UNDER ANY OF THE ENVIRONMENTAL SERVICE CONDITIONS AS SPECIFIED IN MIL-E-5400, CLASS ∇ UPGRADED TO 125°C CONTINUOUS OPERATION.
- 2.3 ALTITUDE: SEA LEVEL TO 75,000 FEET
- 3.0

| D-500-0255 | BUS JACKS J1 AND J2 | STUB JACKS J3 THRU J5 |
|---------------------------|---------------------------------------|---------------------------------------|
| -533-2 (8912008-00-31) | DK-621-0434-1S "A" (8912004-00-05) | DK-621-0440-4P "D" (8912004-00-04) |
| -535-2 (8912008-00-32) | DK-621-0436-2S "B" (8912004-00-06) | DK-621-0440-4P "D" (8912004-00-04) |
| -537-2 (8912008-00-33) | DK-621-0438-3S "C" (8912004-00-07) | DK-621-0440-4P "D" (8912004-00-04) |

SCHEMATIC DIAGRAM



If this document is printed it becomes uncontrolled.
Check for the latest revision.

| | | | | | | |
|---------------------------|--------|--|------|-----------------|------------------|------|
| CAD NAME: T21779b | DRAWN | | SIZE | CODE IDENT. NO. | DWG. NO. | REV. |
| | ISSUED | | A | 06090 | D-500-0255-53X-2 | B |
| DO NOT SCALE THIS DRAWING | | | | | SHEET 2 OF 2 | |