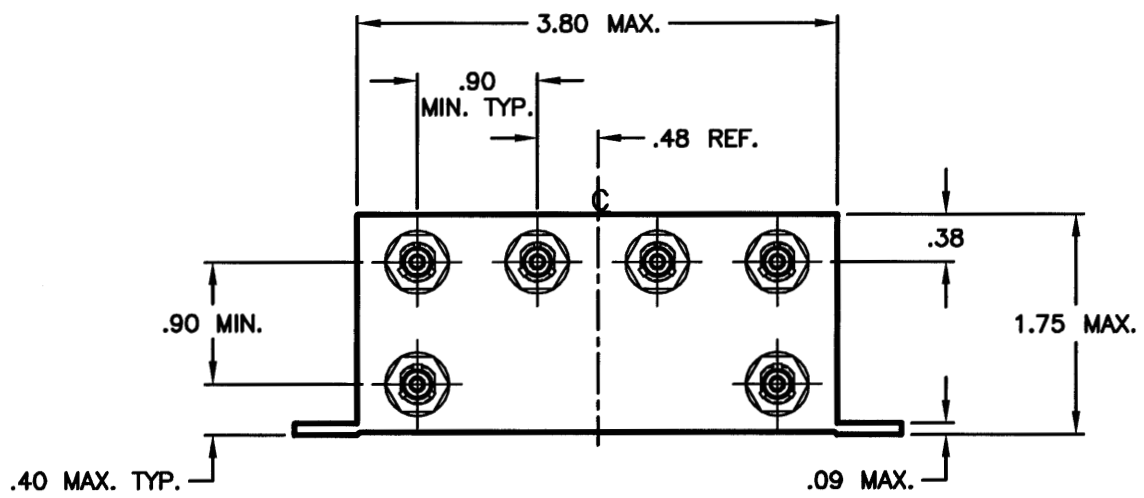
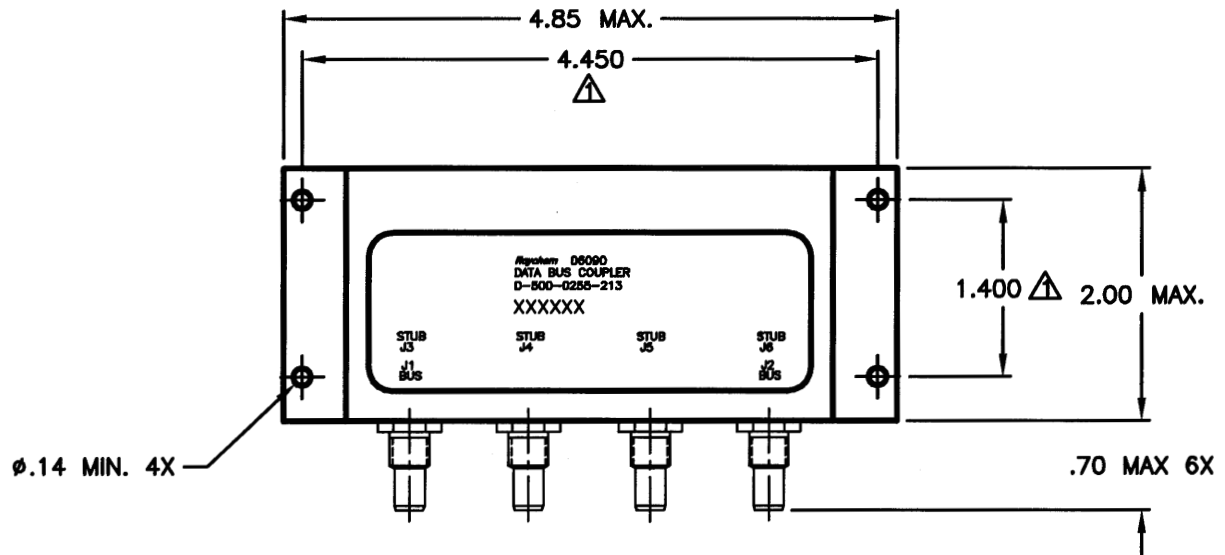


REVISIONS			
LTR	DESCRIPTION	DATE	APPROVED
C	REVISED PER E.C.N. T-9545	88JAN28	Z.E.T.
D	REVISED PER E.C.N. T-20026	95 APR 20	3 <i>cl</i>
D1	OBSOLETE	21 JUL16	RODRIGUEZ
F	REINSTATED per ECO-16-013197	31 AUG 16	MYONG

△ HOLE PATTERN MACHINED SYMMETRICAL TO MOUNTING FLANGE.



Raychem Databus
Customer Drawing

UNLESS OTHERWISE SPECIFIED
DIMENSIONS ARE IN INCHES.
METRIC DIMENSIONS ARE
IN BRACKETS.

DECIMALS
.XXX ± .010 { — mm }
.XX ± .03 { — mm }

ANGLES
.X ± —

WEIGHT
TBD lbs { g }

DRAWN	terry	86APR08
CHECKED		
APPROVED		
APPROVED	I.M.	85APR08
CAD NAME	001810-1.DWG	
THIRD ANGLE PROJECTION		

TE				TE Connectivity 305 Constitution Drive Menlo Park, CA 94025	
TITLE DATA BUS COUPLER WITH CORROSION RESISTANT TRIAxIAL THREADED CONNECTORS					
SIZE	CODE IDENT. NO.	DWG. NO.	REV		
A	06090	D-500-0255-213	E		
SHEET 1 OF 2					

1.0 INTERMATEABILITY

1.1 POSITIONS J1 AND J2, TRIAXIAL JACK, D-621-0412 (WITH D-602-0126 CONTACT INSTALLED) WILL MATE WITH TRIAXIAL PLUG, DK-621-0411-S.

1.2 POSITIONS J3, J4, J5 AND J6, JACK, D-621-0412 (WITH D-602-0127 CONTACT INSTALLED), WILL MATE WITH TRIAXIAL PLUG, DK-621-0411-P

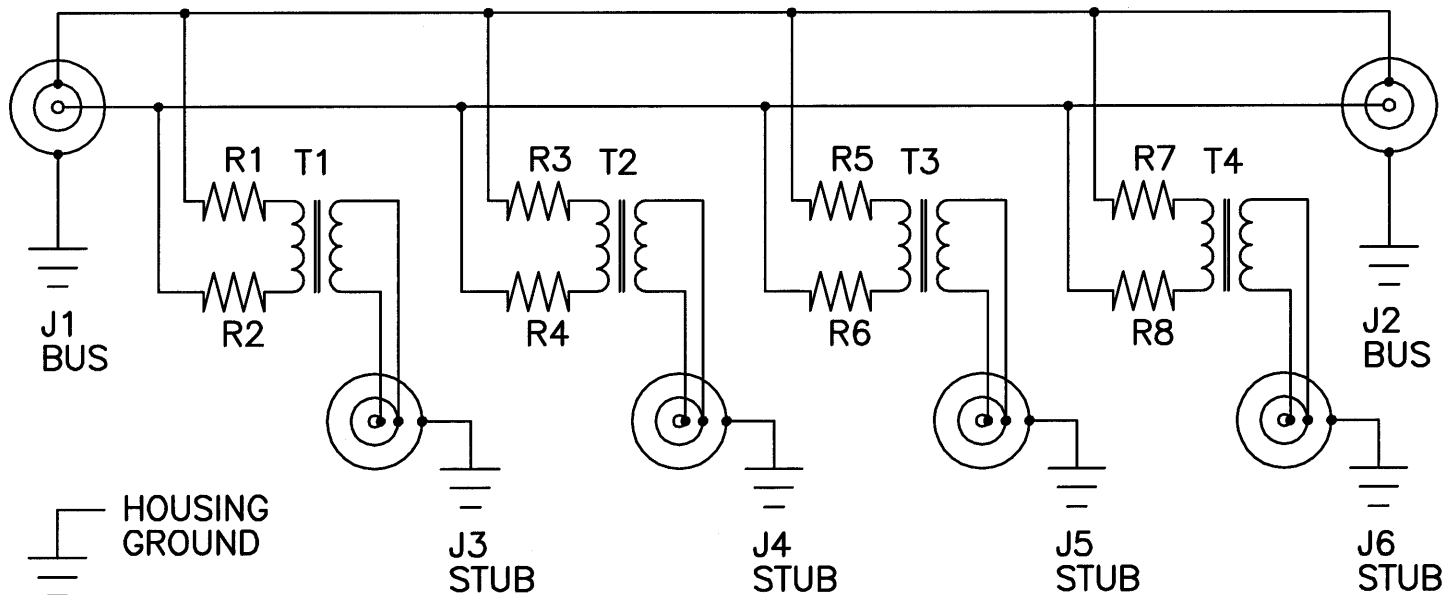
2.0 PERFORMANCE

2.1 THIS COUPLER IS DESIGNED TO MEET THE APPLICABLE FUNCTIONAL REQUIREMENT OF RAYCHEM SPECIFICATION D-6021.

2.2 THE COUPLER SHALL OPERATE UNDER ANY OF THE ENVIRONMENTAL SERVICE CONDITIONS AS SPECIFIED IN MIL-E-5400, CLASS V .
UPGRADED TO 125°C CONTINUOUS OPERATION.

2.3 ALTITUDE: SEA LEVEL TO 50,000 FEET.

SCHEMATIC DIAGRAM



001810-2.DWG

DRAWN

TERRY

86MAY08

SIZE

CODE IDENT. NO.

DWG. NO.

A

06090

D-500-0255-213

ISSUED

DO NOT SCALE THIS DRAWING

SHEET 2 OF 2