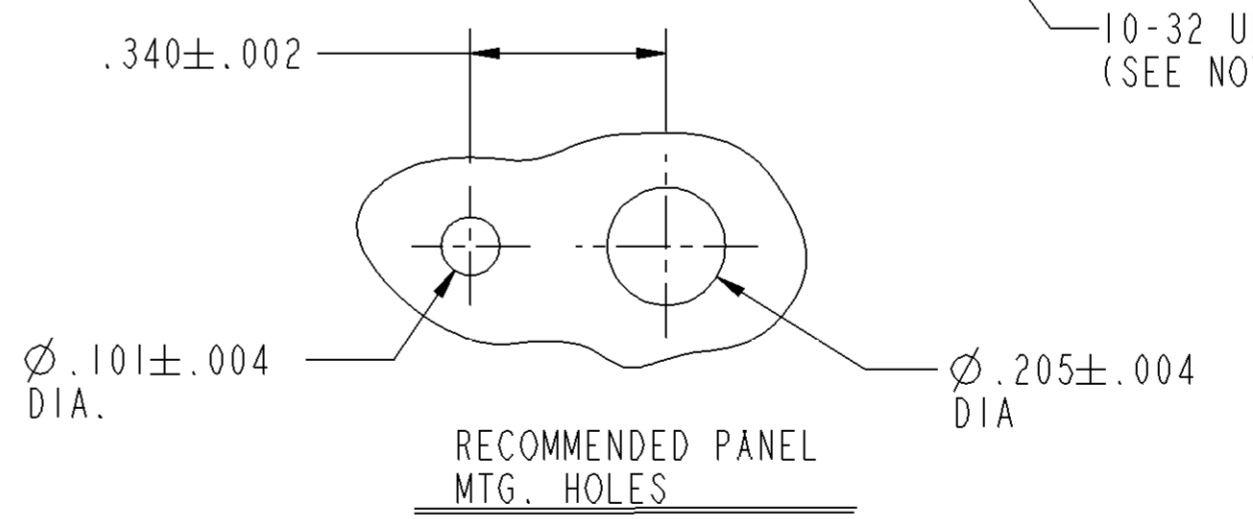
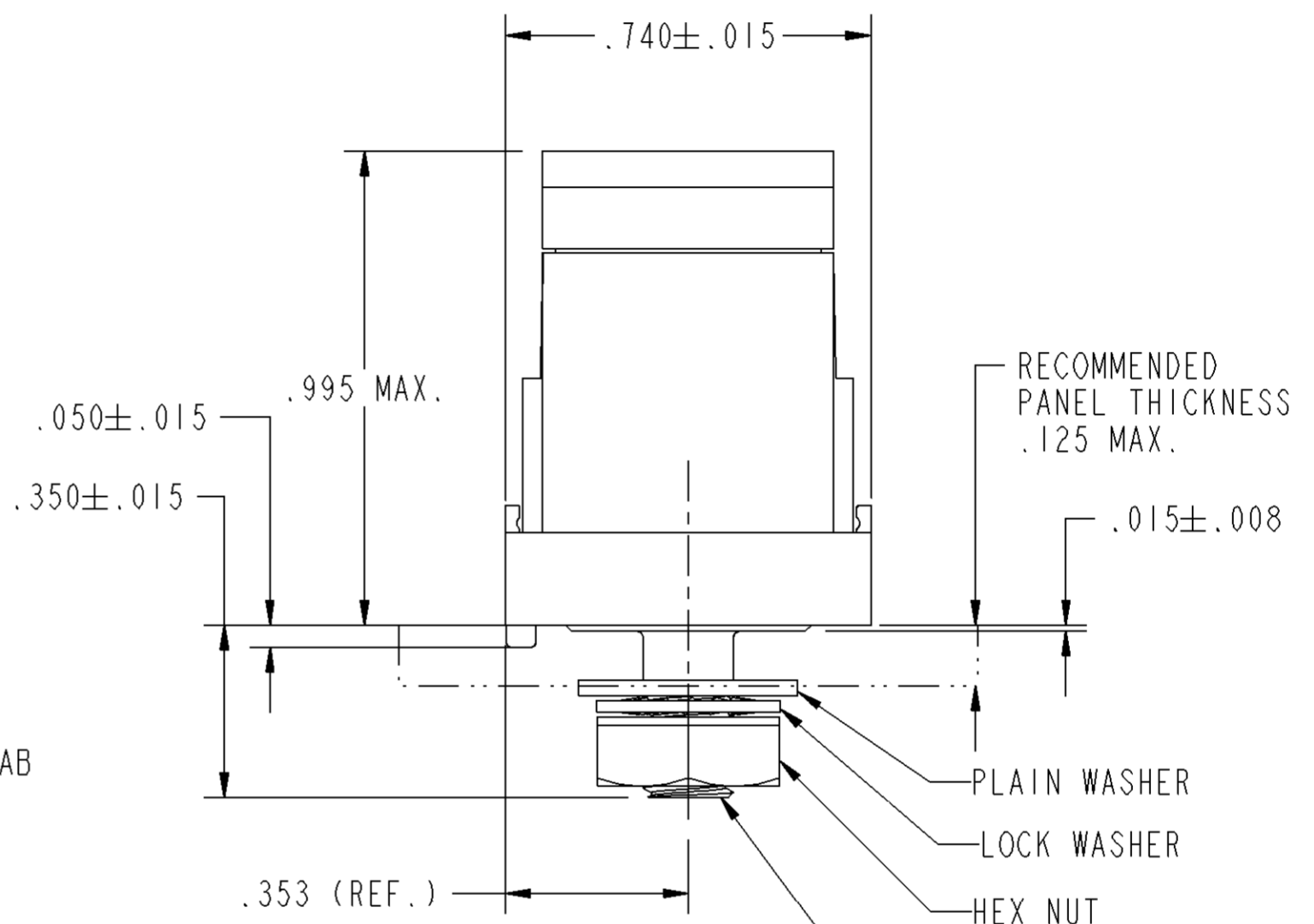
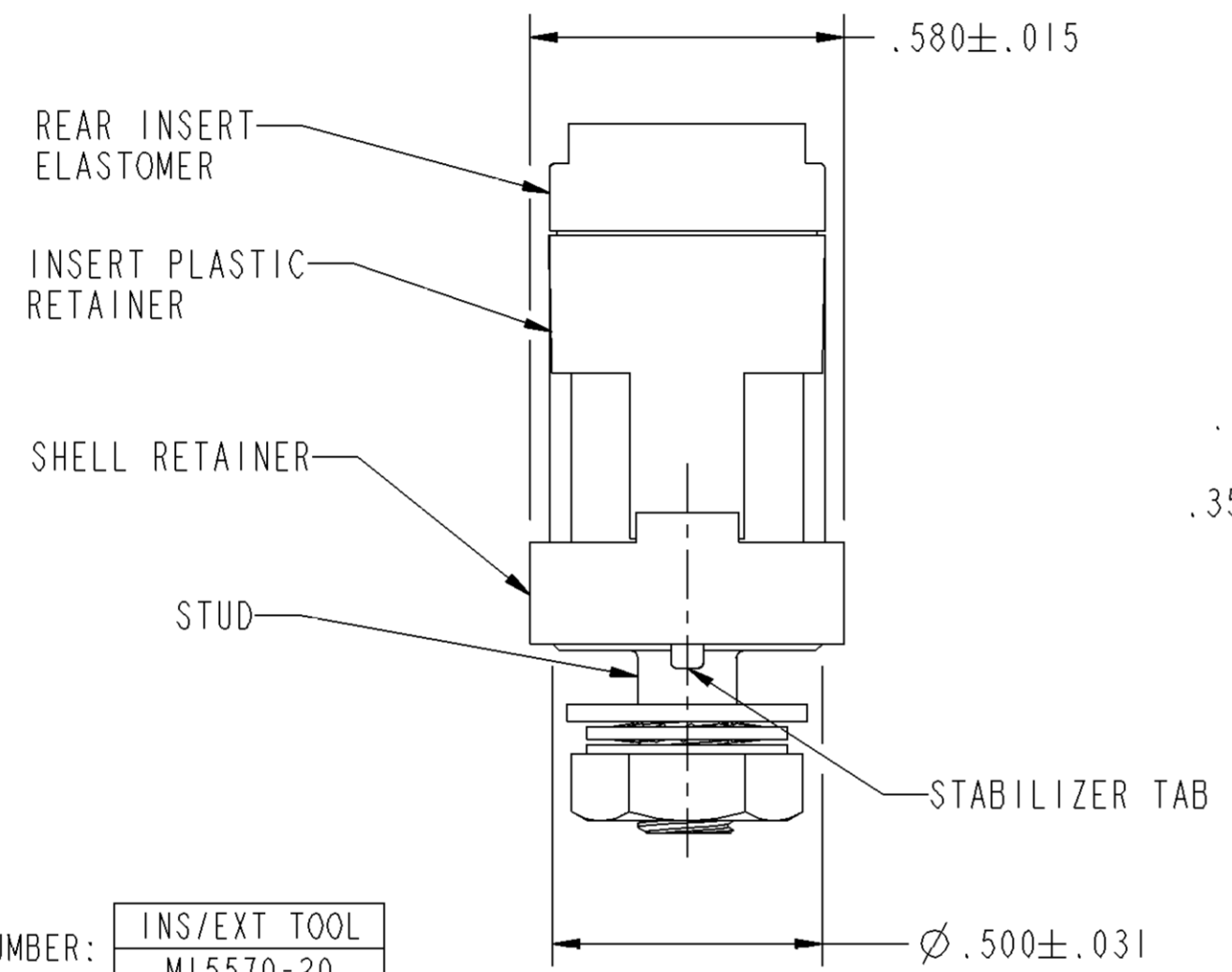
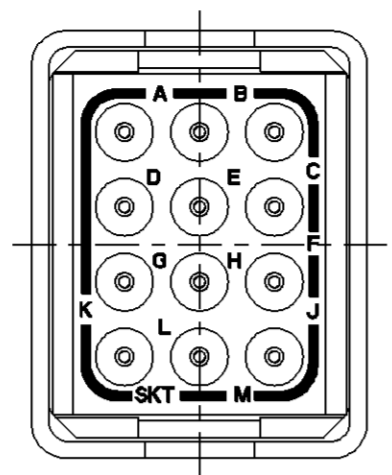


REV	CTJ720E01B
E	

REVISION HISTORY			
REV	DESCRIPTION	DATE	APPROVED
N/C	NEW RELEASE PER E.O. 73218	760126	
A	CHANGED PER E.O. 82029	760224	
B	DETABULATED & REDRAWN PER E.O. 81566	760330	JDM
C	CHANGED PER E.O. 82107	760505	ROWELL H
D	REVISED PER E.O. 90795	830426	L.STOLLE
E	REDRAWN PER E.O. D0028	120323	PB



8. REQUIRED CONTACT TOOL PART NUMBER: 

INS/EXT TOOL
M15570-20

7. RECOMMENDED THREAD TORQUE VALUE:  
29 INCH LBS. MAX. TORQUE

6. COMPONENTS SUPPLIED BY DEUTSCH: PLAIN WASHER # AN960-10L  
LOCK WASHER # MS35333-39  
HEX NUT #AN315-3

5. FOR CONTACT DATA SEE ENVELOPE DRAWING 1625-1-0000.

4. PART NUMBER BREAK DOWN: (EXAMPLE)

CTJ7	20	E	01B	
BASIC IDENTIFIER		ENVIRONMENTAL	BUS ARRANGEMENT (SEE NOTE 3)	
		MODULE SIZE		

3. BUS IDENTIFICATION SCREENED ON MODULE ASSEMBLY.
2. SEE DEUTSCH BULLETIN #129 FOR MODULE PERFORMANCE VALUES.
1. DIMENSIONS ARE IN INCHES UNLESS OTHERWISE SPECIFIED.

NOTES: UNLESS OTHERWISE SPECIFIED.

TOLERANCE UNLESS OTHERWISE SPECIFIED DIMENSIONS ARE IN INCHES DECIMALS .XXX±.005; .XXXX±.0005 ANGLES: X°±.5°; X.X°±.25° T.I.R. .010 PARTS TO BE FREE OF BURRS & SHARP EDGES THIRD ANGLE PROJECTION 	SIGNATURE & DATE	
	DR	760406
	CHK	760412
	PE	MACDONALD 760412
	APPD	A. RENGIFO 120323
	MATERIAL	
FINISH		
MATERIAL CODE		

ALL SHEETS ARE THE SAME REVISION STATUS

<b>DEUTSCH</b> DEFENSE/AEROSPACE OPERATION 250 EDDIE JONES WAY OCEANSIDE, CA 92058		
TITLE MODULE CTJ GROUNDING JUNCTION 12 SIZE 20 CONTACTS ENVIRONMENTAL ENVELOPE		
SIZE <b>C</b>	CAGE CODE 11139	DWG NO CTJ720E01B
SCALE 3.000	WEIGHT	SHEET 1 OF 1