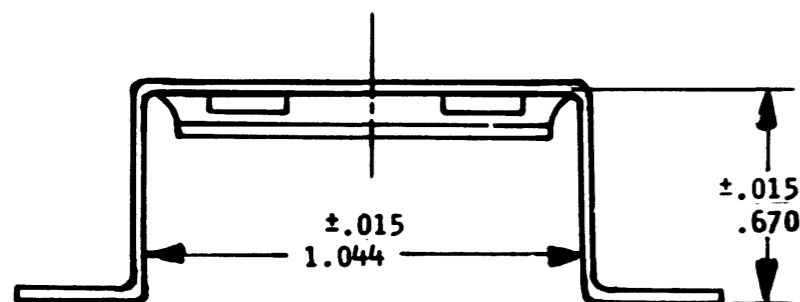
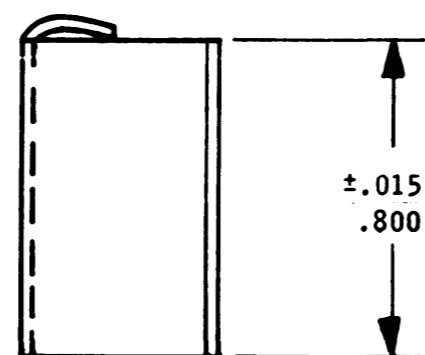
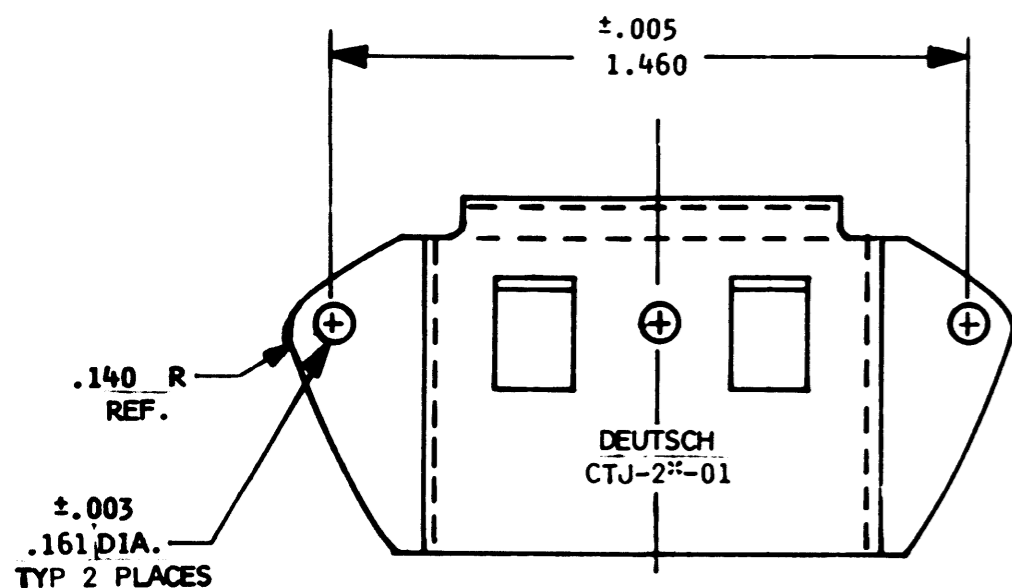


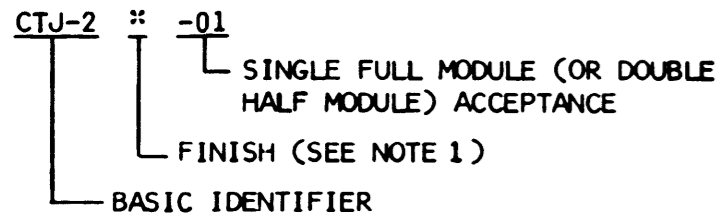
CTJ-2\*-01

REVISIONS

SYM	DESCRIPTION	DATE	APPROVED
N/C	NEW RELEASE PER E.O. 85738	5-8-78	CP
A	Revised per E.O. 89594	5-19-80	m.k.



3. EXPLANATION OF PART NUMBER:



UNLESS OTHERWISE STATED ALL DIMENSIONS ARE IN INCHES.

1. \* IS USED IN LIEU OF FINISH INDICATOR LETTER.

SPECIFY: A FOR HARD BLACK ANODIZE  
 B FOR OLIVE DRAB CADMIUM  
 C FOR CLEAR CADMIUM  
 D FOR NICKEL (STANDARD)

NOTE:

CONSULT THE DEUTSCH FACTORY FOR AVAILABILITY OF FINISHES OTHER THAN SPECIFIED.

SIGNATURE & DATE		MOUNTING BRACKET ELECTRONIC COMPONENT MODULE CTJS ENVELOPE	CP	MATL. CODE	
DR	M. Wakeland 5-8-78		<b>The Deutsch Company</b> ELECTRONIC COMPONENTS DIVISION Municipal Airport Banning, California		
CHK	C. Aguilar 5-10-78		B	CTJ-2*-01	
PE	J. Mac Donald 5-10-78			DWG. SIZE	CODE 11139
APPD					
SCALE NONE WT					