

4

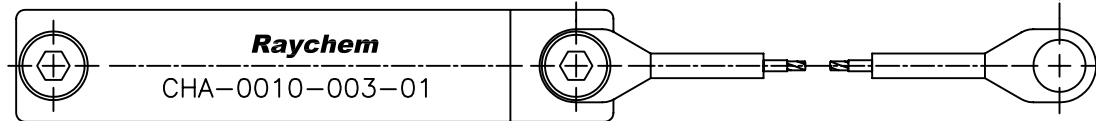
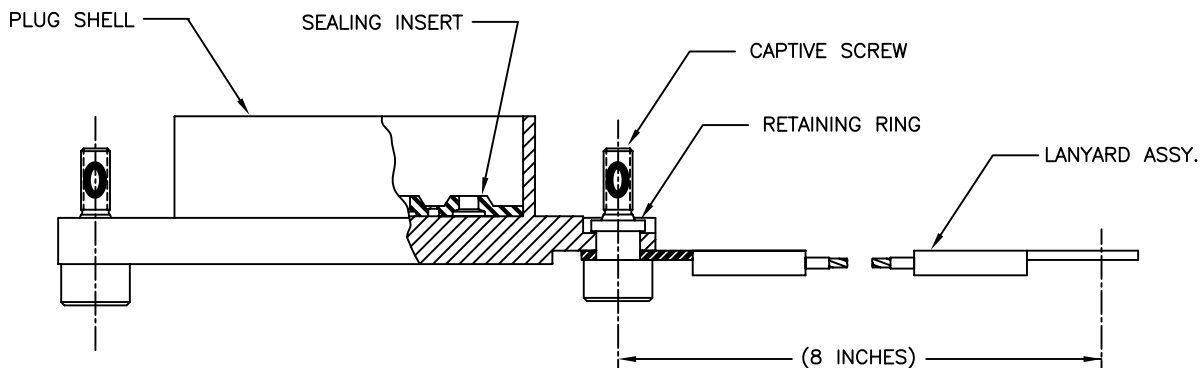
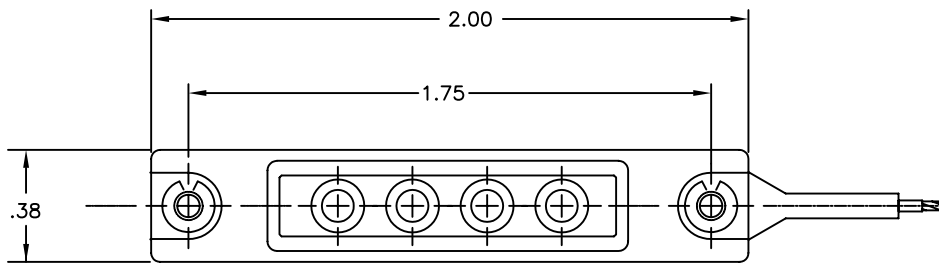
3



2

1

REVISIONS			
LTR	DESCRIPTION	DATE	APPROVED
A	PER ECO-08-017847	July/21/08	M.HIGGY



NOTES:

1. **SEALING:**
THIS PLUG PROTECTIVE CAP IS DESIGNED FOR ENVIRONMENTALLY SEALING THE MATING RECEPTACLE CONNECTOR WHIT SOCKET CONTACTS, 1 INCH MTC COAX SERIES.

2. **MATERIALS AND FINISHES:**

PLUG SHELL: ALUMINUM ALLOY PER AMS-QQ-A-225 OR ALUMINUM ALLOY 380 OR A380 PER ASTM B85
CADMIUM PLATED PER SAE-AMS-QQ-P-416

SEALING INSERT: FLOUROSILICONE PER MIL-R-25988

CAPTIVE SCREW: CORROSION RESISTANT STEEL 302, HQ, PER SEA-AMS-QQ-S-763A
CADMIUM PLATED PER SAE-AMS-QQ-P-416
OVER NICKEL UNDERPLATE.

If this document is printed it becomes uncontrolled. Check for the latest revision

CUSTOMER DRAWING

© 2008 Tyco Electronics Corporation. All rights reserved.

UNLESS OTHERWISE SPECIFIED
DIMENSIONS ARE IN INCHES.
METRIC DIMENSIONS ARE
IN BRACKETS.

DECIMALS
.XXX ± 0.005 [0.13 mm]
.XX ± 0.015 [0.38 mm]
.X ± 0.1 [2.54 mm]

ANGLES
.X ±

DRAWN	ZSOFIA ORBAN	DATE	July/21/08
CHECKED		DATE	
APPROVED	M. HIGGY	DATE	July/21/08
APPROVED		DATE	
CAD NAME	CHA-0010-003-01		
THIRD ANGLE PROJECTION			

				Raychem Interconnect <small>300 Constitution Drive Meriden, CT, 06450 U.S.A.</small>	
TITLE PROTECTIVE CAP, PLUG WITH PIN SEALING INSERT AND LANYARD ASSY. CADMIUM PLATED 1 INCH MTC COAX SERIES					
SIZE	CAGE CODE:	DWG. NO.	REV:		
C	06090	CHA-0010-003-01	A		
DO NOT SCALE THIS DRAWING SCALE					
					SHEET 1 OF 1

4

3



2

1

SHEET 1
DWG. NO. CHA-0010-003-01

A