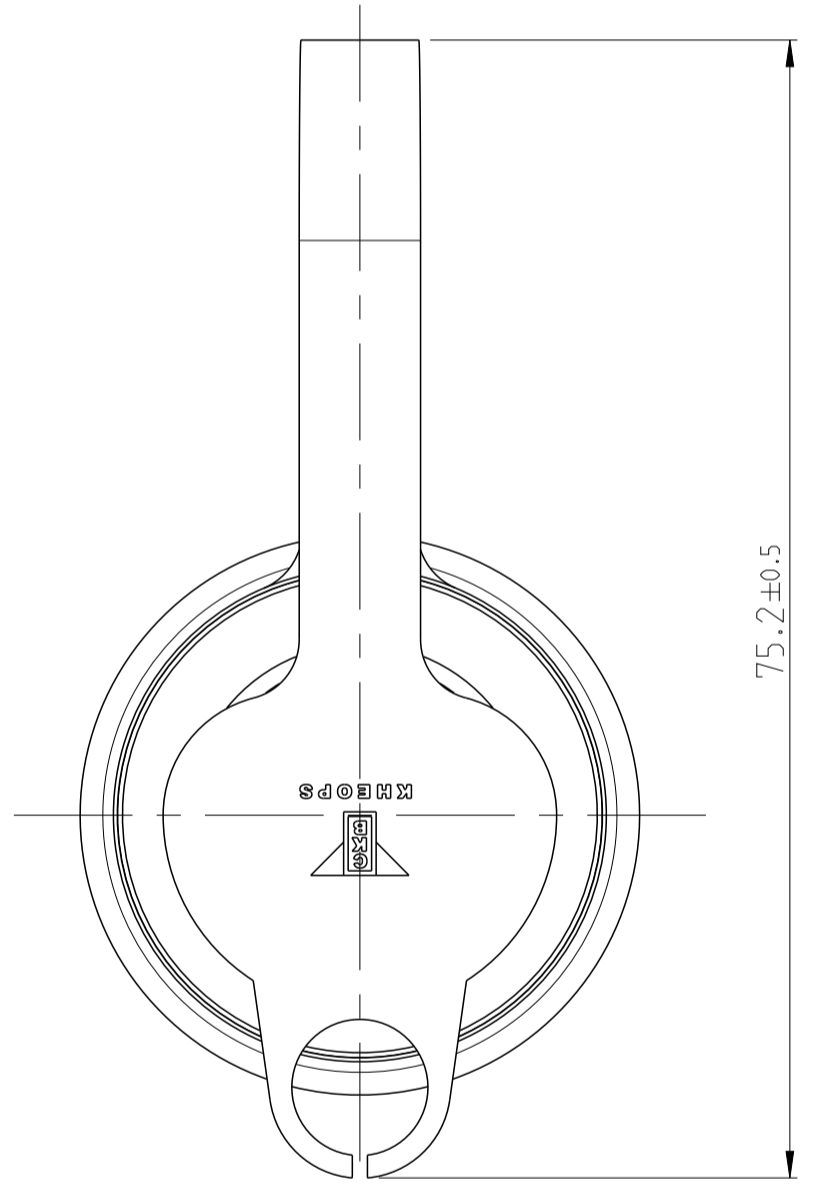
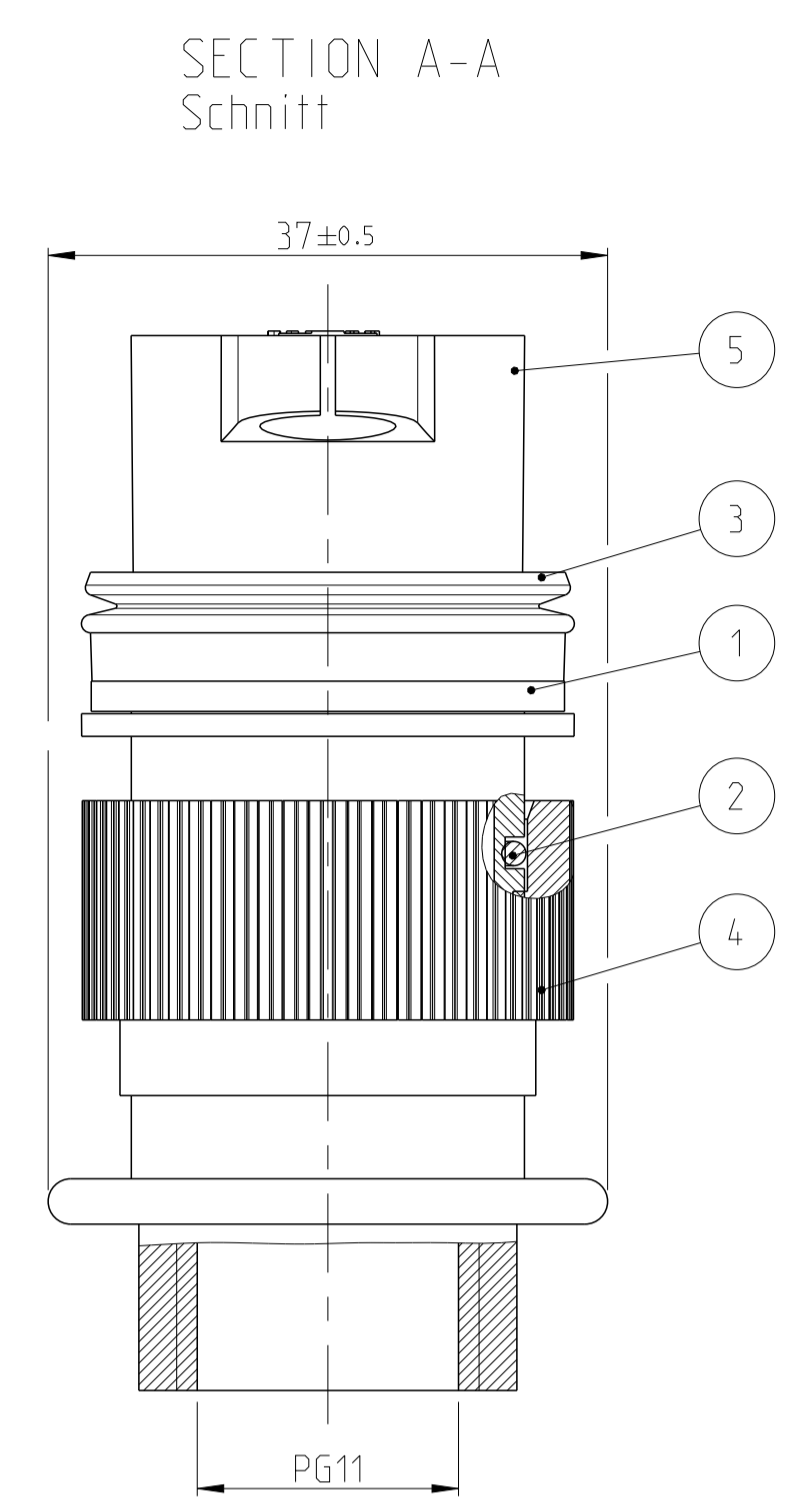
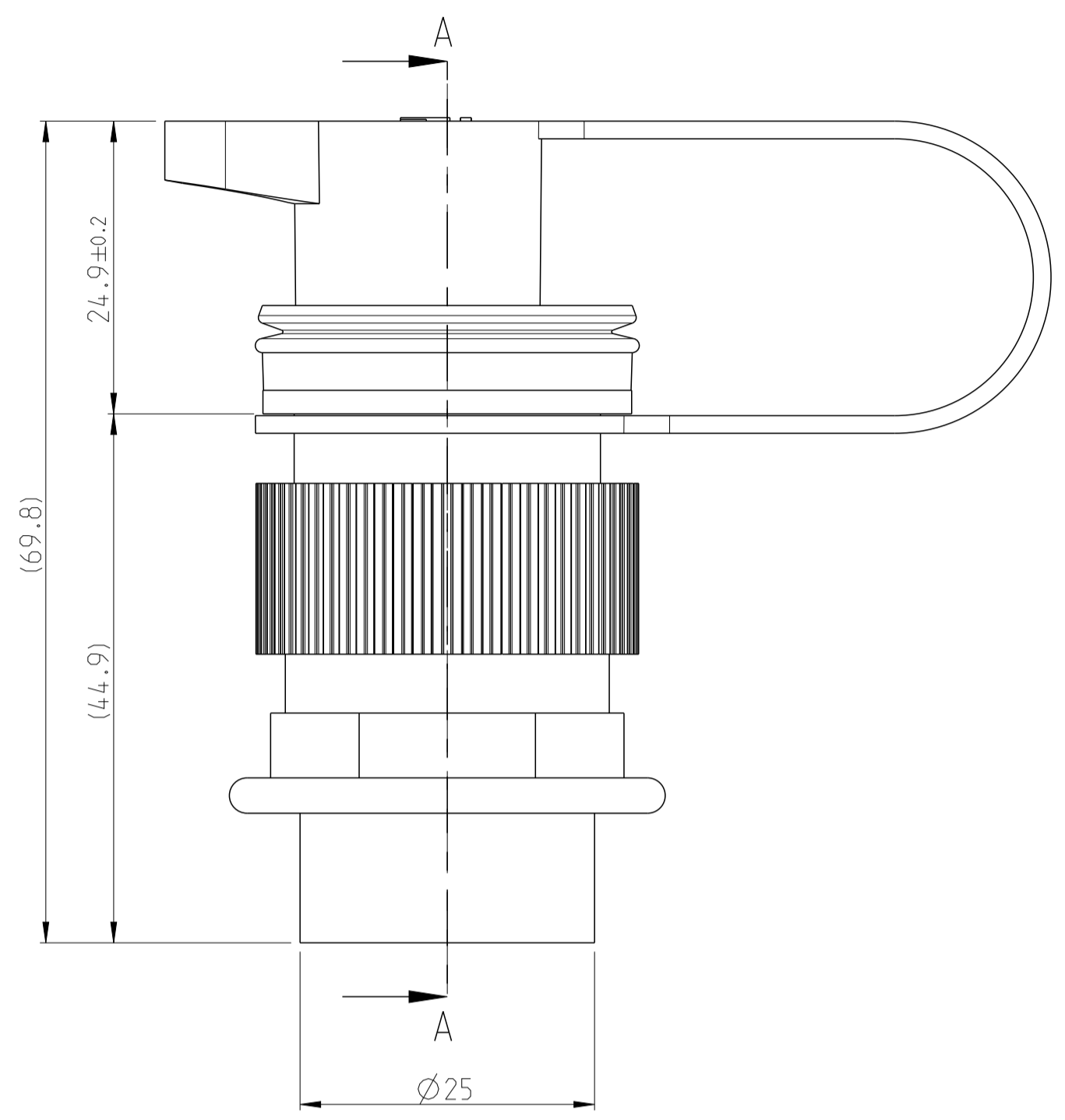
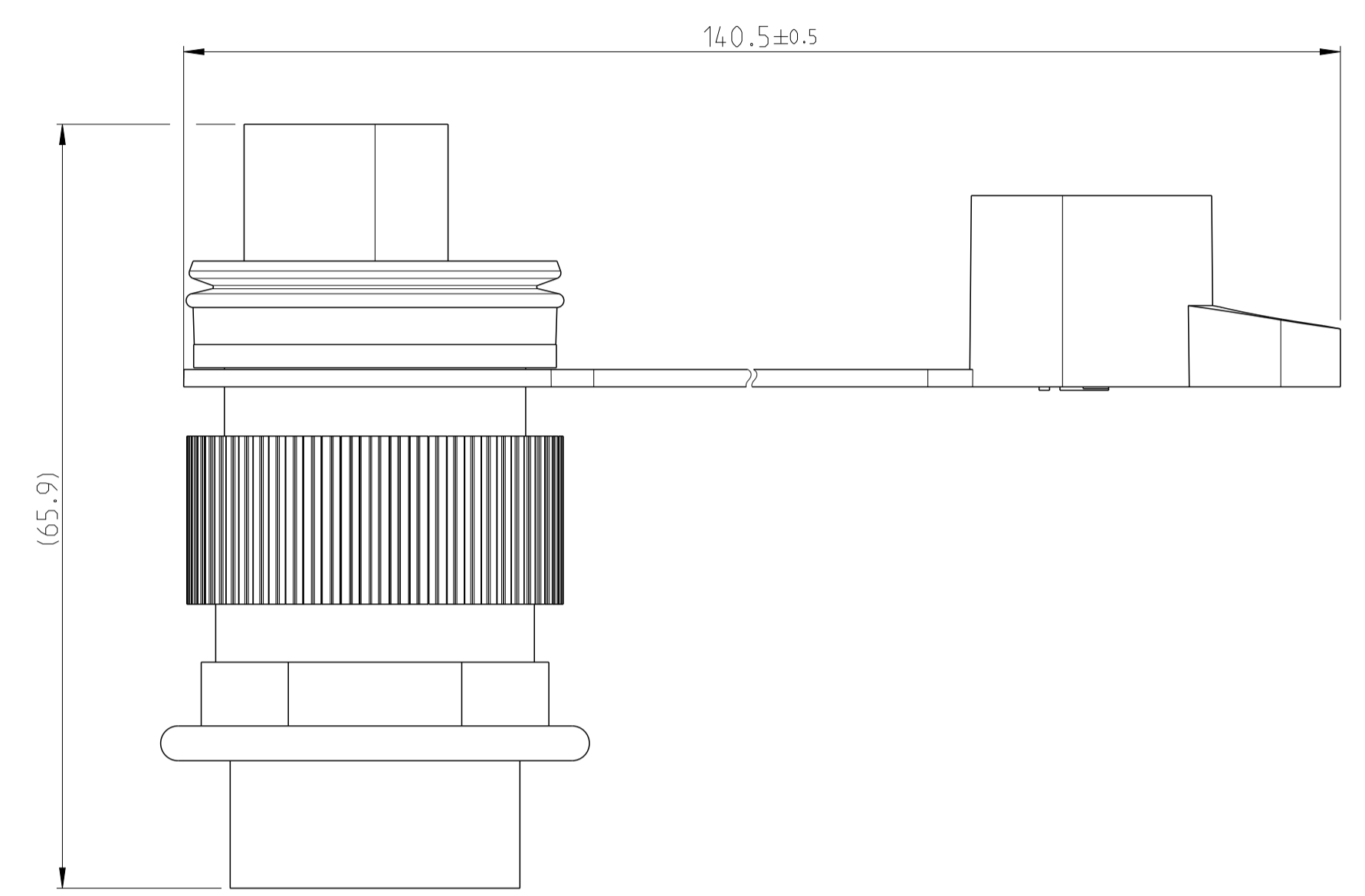


OPEN CONDITION:
Geöffnet:

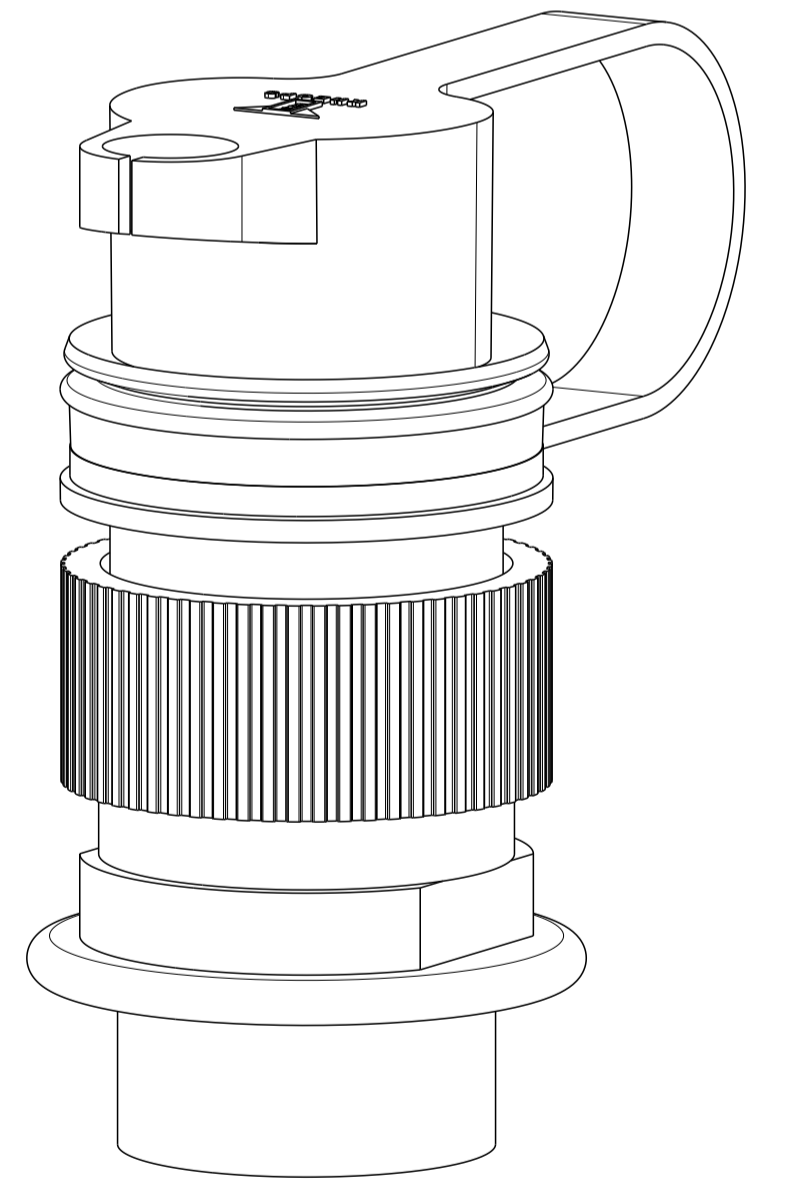
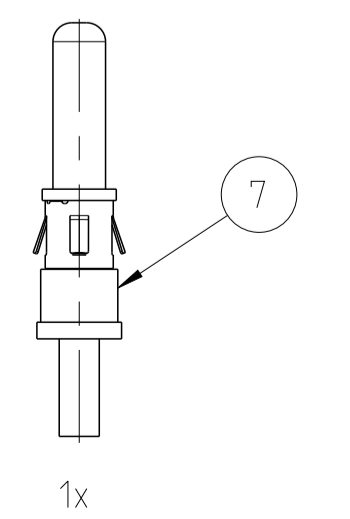
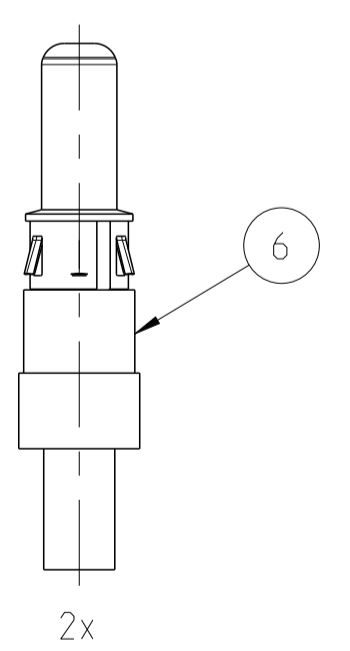
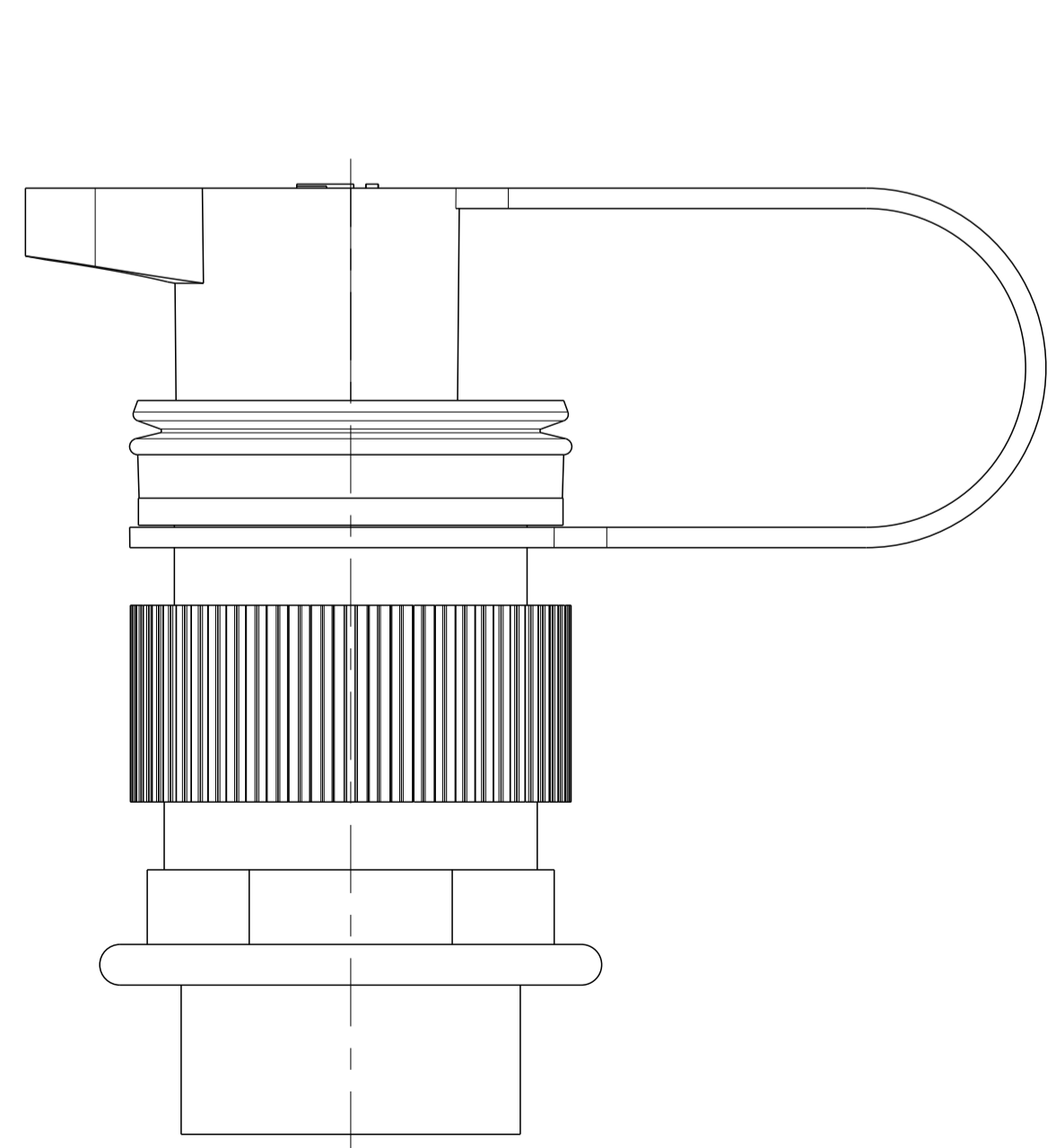


REVISIONS				
P	LTN	DESCRIPTION	DATE	APVD
A		NEW DRAWING	28JUL2015	CS CE
B		REVISED PER PCN: E-17-004350	28MAR2017	CM GCR
B1		PRODUCT SPECIFICATION AND BACKSHELL THREAD SIZE DETAILS ADDED	02JAN2019	SS GCR
B2		REVISED PER ECN-22-175535	19SEP2022	GB SBS

NOTES
Bemerkungen

- 1 DELIVERY CONDITION WITH PIN CONTACTS.
2X DARS24924-000A3(2.5-4 mm²)
1X DARS24298-000A3(1.5 mm²)
Lieferzustand mit Stiftkontakte
2X DARS24924-000A3(2.5-4 mm²)
1X DARS24298-000A3(1.5 mm²)
- 2 ALL SYMMETRIC DIMENSIONS ± 0.1
Alle Symmetriemaße
- 3 SUITABLE COUNTERPART SEE DRAWING: CAR3SC68-001
Passender Gegenstecker siehe Zeichnung: CAR3SC68-001
- 4 MALFUNCTION CAUSED BY LACQUER IS NOT COVERED BY TE CONNECTIVITY WARRANTY
Funktionsbeeinträchtigung durch Lackieren liegt nicht im Einfluss und Gewährleistungsumfang von TE connectivity.
- 5 FOR 3D MODEL (CUSTOMER VIEW MODEL) PLEASE REFER TO CAR3PC68WP (PLUG) DARS24298-000A3 (1.5mm² PIN) AND DARS24924-000A3 (2.5-4mm² PIN)
Für 3D modell (Customer View Model) siehe CAR3PC68WP (Stecker) DARS24298-000A3 (1.5mm² Stiftkontakt) und DARS24924-000A3 (2.5-4mm² Stiftkontakt)

1 DELIVERY CONDITION:
Lieferzustand:



ITEM NO	DESCRIPTION	COLOUR
1	3 WAY PLUG HOUSING 3 Pol. Steckergehäuse Ø Ring	BLACK schwarz
2	PIN CONTACTS 2.5-4mm ² Stiftkontakte 1.5mm ²	BLACK schwarz
3	PLUG SEAL Steckerichtung	BLACK schwarz
4	BACK SHELL Endkappe	BLACK schwarz
5	PLUG HOUSING CAP Schutzkappe	BLACK schwarz
6	PIN CONTACTS 2.5-4mm ² Stiftkontakte 2.5-4mm ²	BLACK schwarz
7	PIN CONTACTS 1.5mm ² Stiftkontakte 1.5mm ²	BLACK schwarz

THIS DRAWING IS A CONTROLLED DOCUMENT. DIMENSIONING AND TOLERANCING PER GPS (ISO STANDARDS). DIMENSIONS: mm. TOLERANCES UNLESS OTHERWISE SPECIFIED: ACC. TO ISO 8015.

OWNER: CHANDRASHEKAR S. C. FINZER	DATE: 14 JUL 2015	APVD: EBERWEIN
PRODUCT SPEC: 108-94602	APPLICATION SPEC: -	WEIGHT: 48.4 g
SIZE: A1	CAGE CODE: -	DRAWING NO: C=CAR3PC68-001
RESTRICTED TO: -	SCALE: 2:1	SHEET 1 OF 1

Customer Drawing