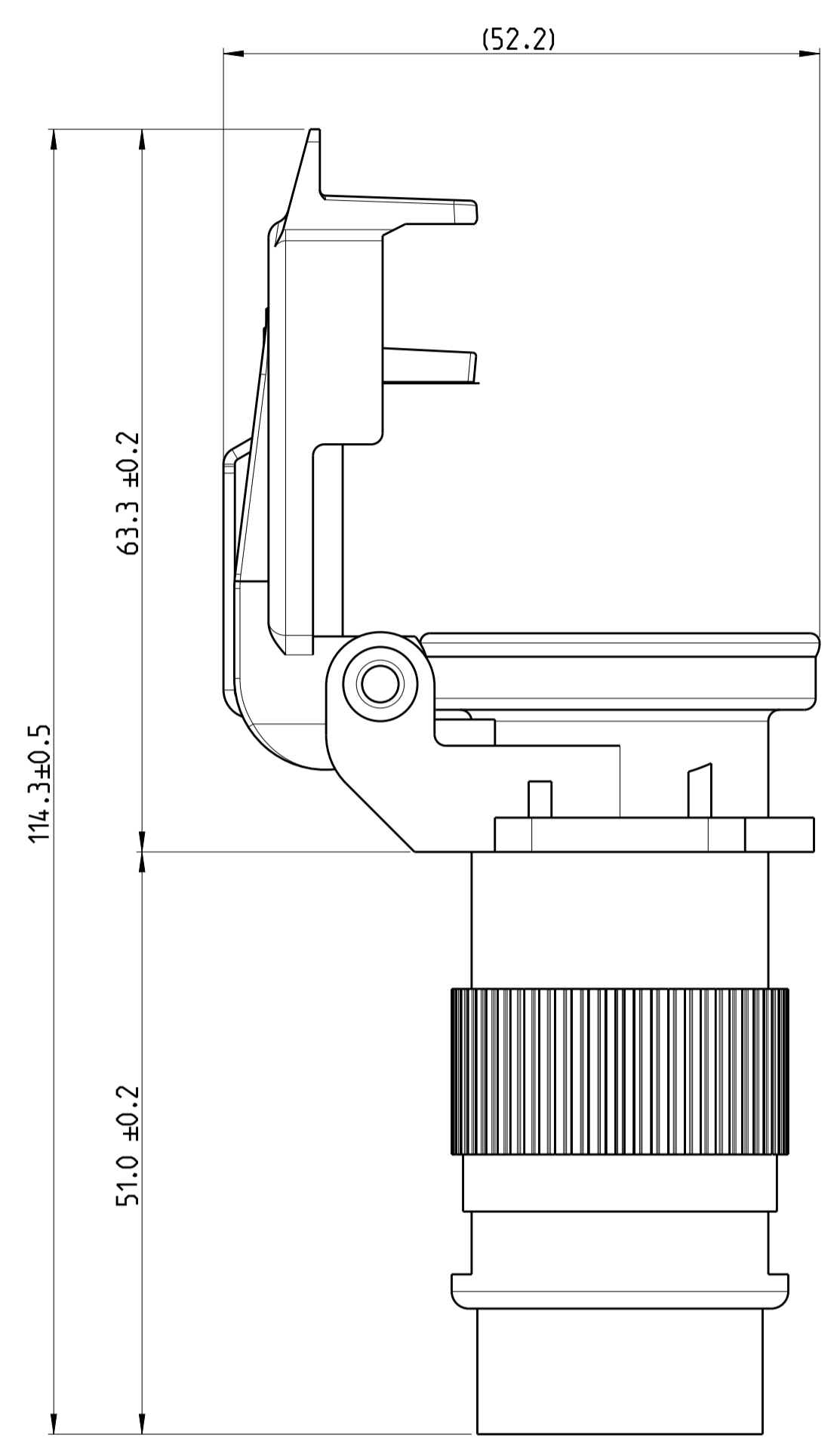
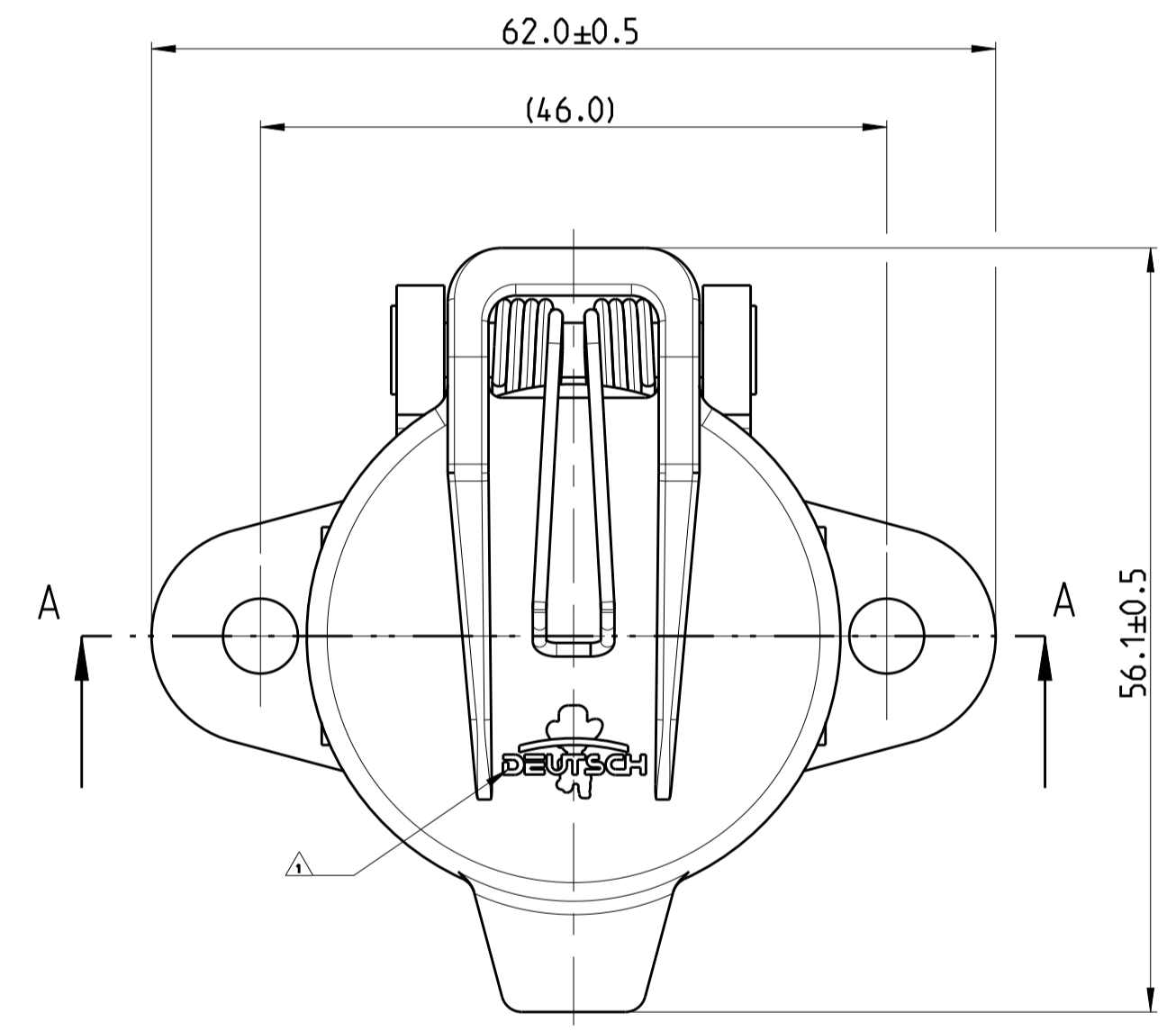
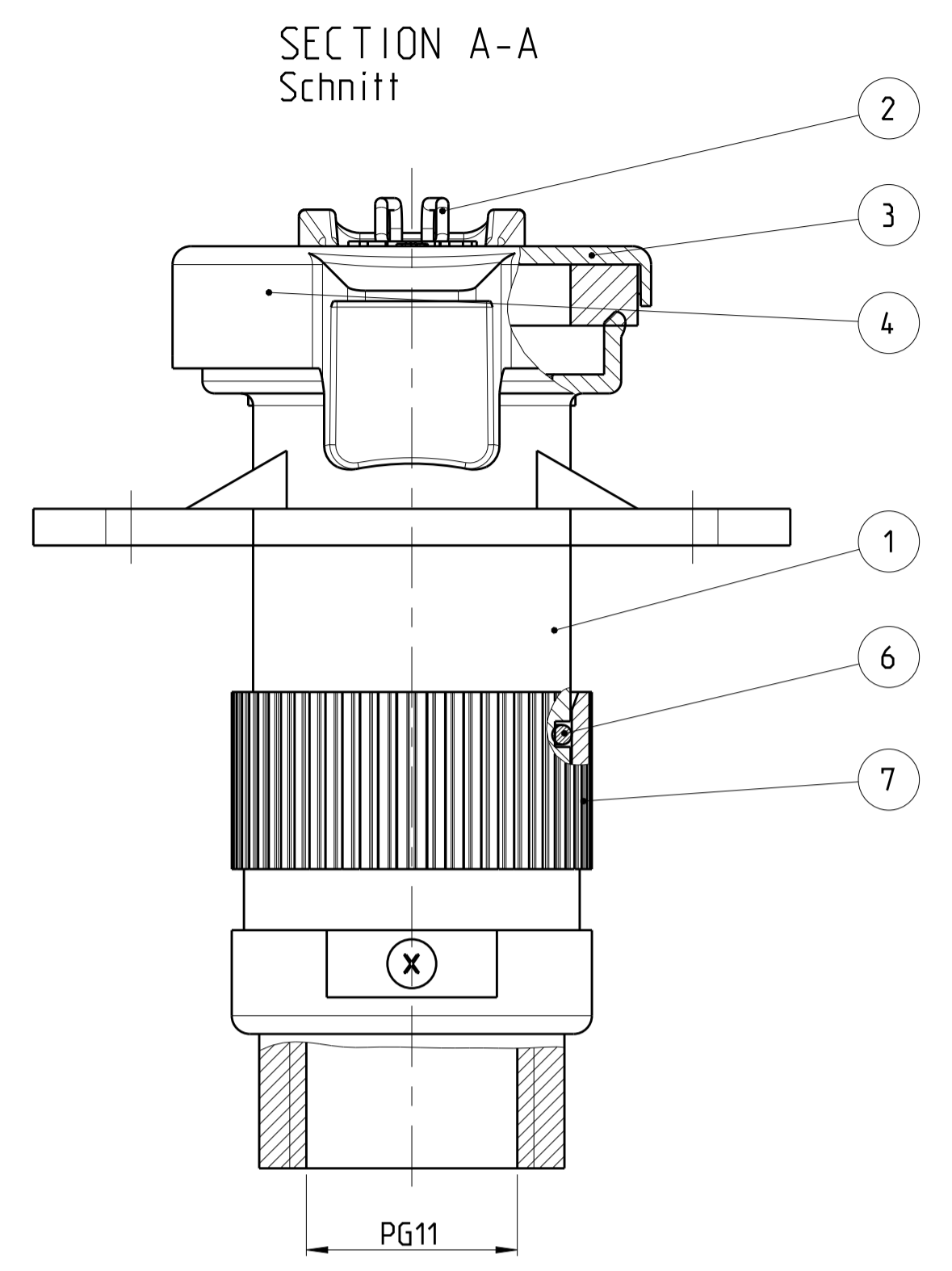
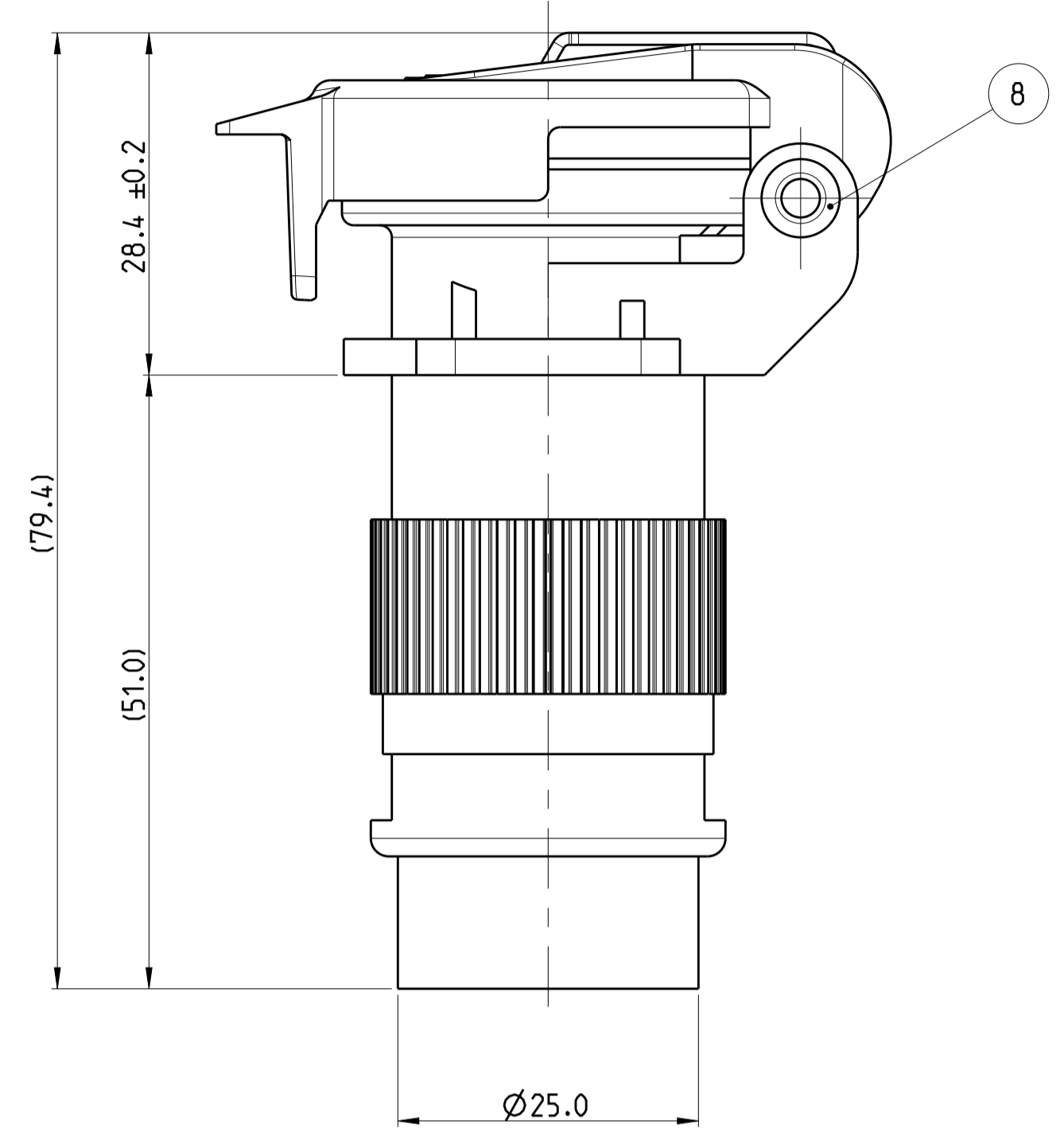
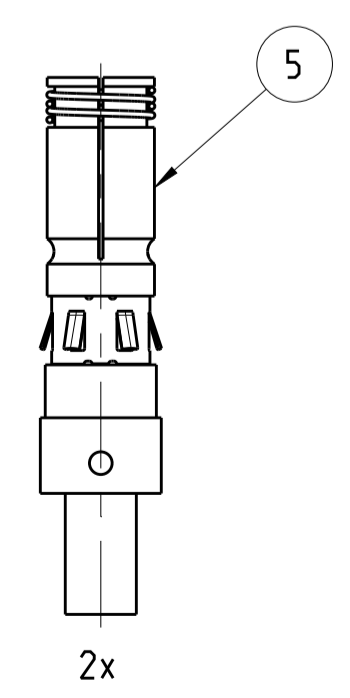
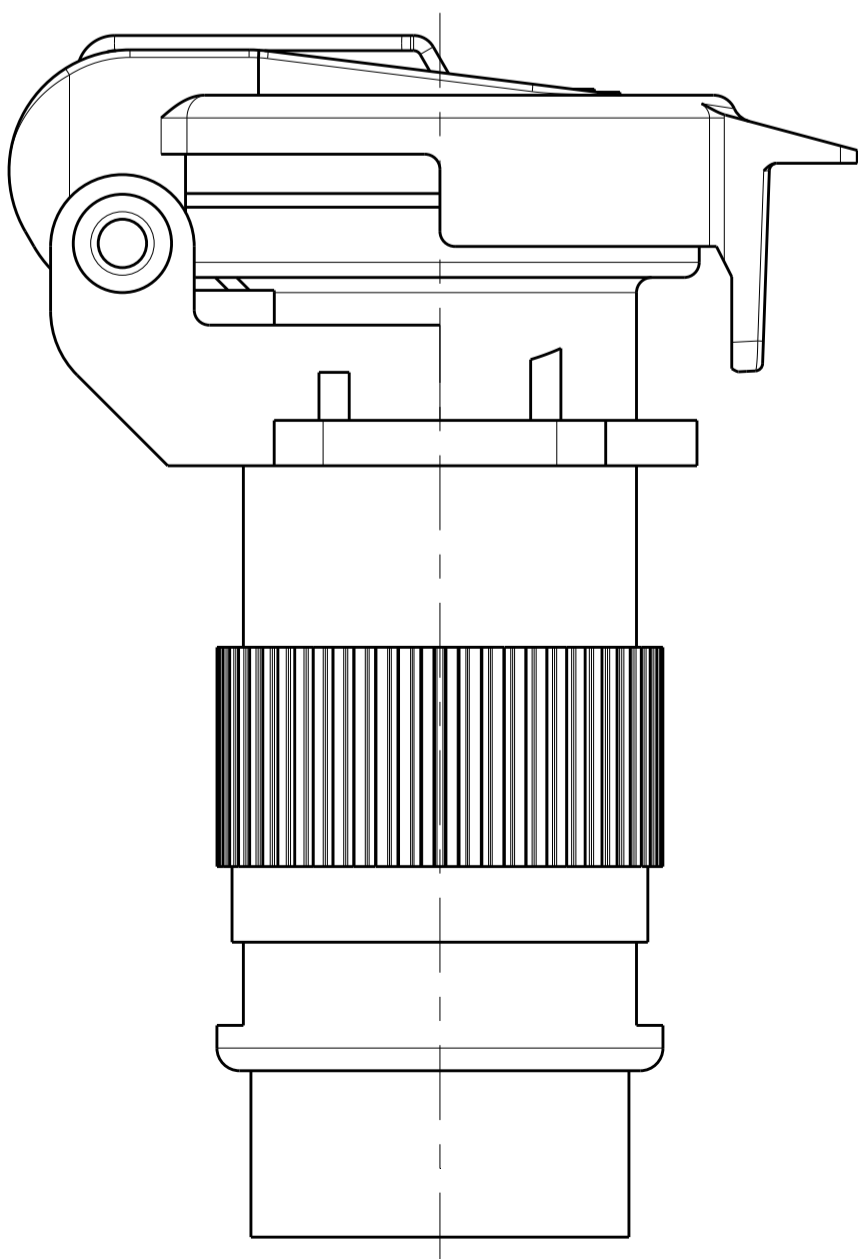


OPEN CONDITION:  
Geöffnet:



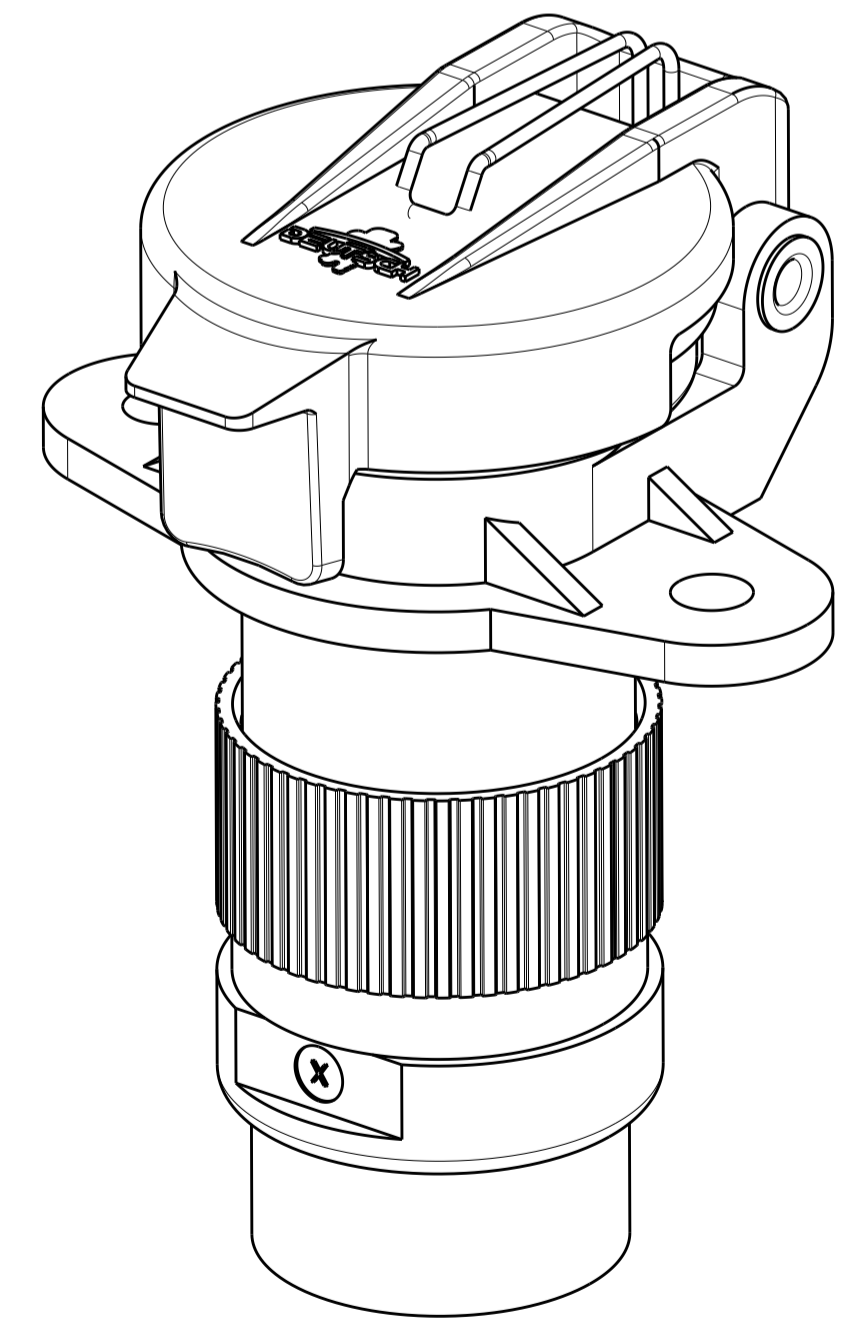
2 DELIVERY CONDITION:  
Lieferzustand:



REVISIONS				
P	LTR	DESCRIPTION	DATE	DWN APVD
A		NEW DRAWING	27JUL2015	SH CE
B		COVER DESIGN MODIFICATION	22JUN2016	PV CF
C		REVISED PER PCN: E-17-004350	28MAR2017	CM GCR
C1		PRODUCT SPECIFICATION AND BACKSHELL THREAD SIZE DETAILS ADDED	02JAN2019	SS GCR

NOTES  
Bemerkungen

- 1 DEUTSCH LOGO.)  
Deutsch Logo
- 2 DELIVERY CONDITION WITH SOCKET CONTACTS.  
DARS24923-000A3(2.5-4 mm<sup>2</sup>)  
Lieferzustand mit Buchsenkontakte  
DARS24923-000A3(2.5-4 mm<sup>2</sup>)
- 3 ALL SYMMETRIC DIMENSIONS  
Alle Symmetriemaße  $\pm 0.1$
- 4 SUITABLE COUNTERPART SEE DRAWING: CAR2PC68-001  
Passender Gegenstecker siehe Zeichnung: CAR2PC68-001
- 5 MALFUNCTION CAUSED BY LACQUER IS NOT COVERED BY TE CONNECTIVITY WARRANTY  
Funktionsbeeinträchtigung durch Lackieren liegt nicht im Einfluss und Gewährleistungsumfang von TE connectivity.
- 6 FOR 3D MODEL (CUSTOMER VIEW MODEL) PLEASE REFER CAR2SC68WS (RECEPTACLE) AND DARS24923-000A3 (2.5-4 mm<sup>2</sup> SOCKET)  
Für 3D modell (Customer View Model) siehe CAR2SC68WS (Steckdose) und DARS24923-000A3 (2.5-4mm<sup>2</sup> Buchsenkontakt)



ITEM NO	DESCRIPTION	QUANTITY	UNIT	MATERIAL	COLOR
1	2 POLE RECEPTACLE HOUSING	1	1	PA6 GF-15	BLACK
2	2 pol. Steckdosengehäuse	1	1	SS 304	BLACK
3	SPRING	1	1	PA6 GF-15	BLACK
4	COVER SEAL	1	1	CuZn39PB2	BLACK
5	SOCKET CONTACTS 2.5 - 4mm <sup>2</sup>	2	1	NBR	BLACK
6	BACKSHELL	1	1	PA6 GF-30	BLACK
7	RIVET	1	1	COPPER ALLOY	BLACK
8	SCREW	1	1		

CAR2SC68-001	C	1	1	1	1	1	1	1	1	1	
DEUTSCH ORDER-NO. DEUTSCH Bestell-Nr.	REV.	QTY Stueck	QUANTITY Stueck			ITEM NO	ASSY				
THIS DRAWING IS A CONTROLLED DOCUMENT. DIMENSIONING AND TOLERANCING PER GPS (ISO STANDARDS). DIMENSIONS: mm. TOLERANCES UNLESS OTHERWISE SPECIFIED: ACC. TO ISO 8015.										DWN SHIVAKUMAR H 27JUL2015 CHE C. FINZER 27JUL2015 APVD F. EBERWEIN 27JUL2015 NAME 2POS. RECEPTACLE 2Pos. Steckdose PRODUCT SPEC 108-94602 APPLICATION SPEC WEIGHT 52.2 g CUSTOMER DRAWING	SCALE 2:1 SHEET 1 OF 1 REV C1