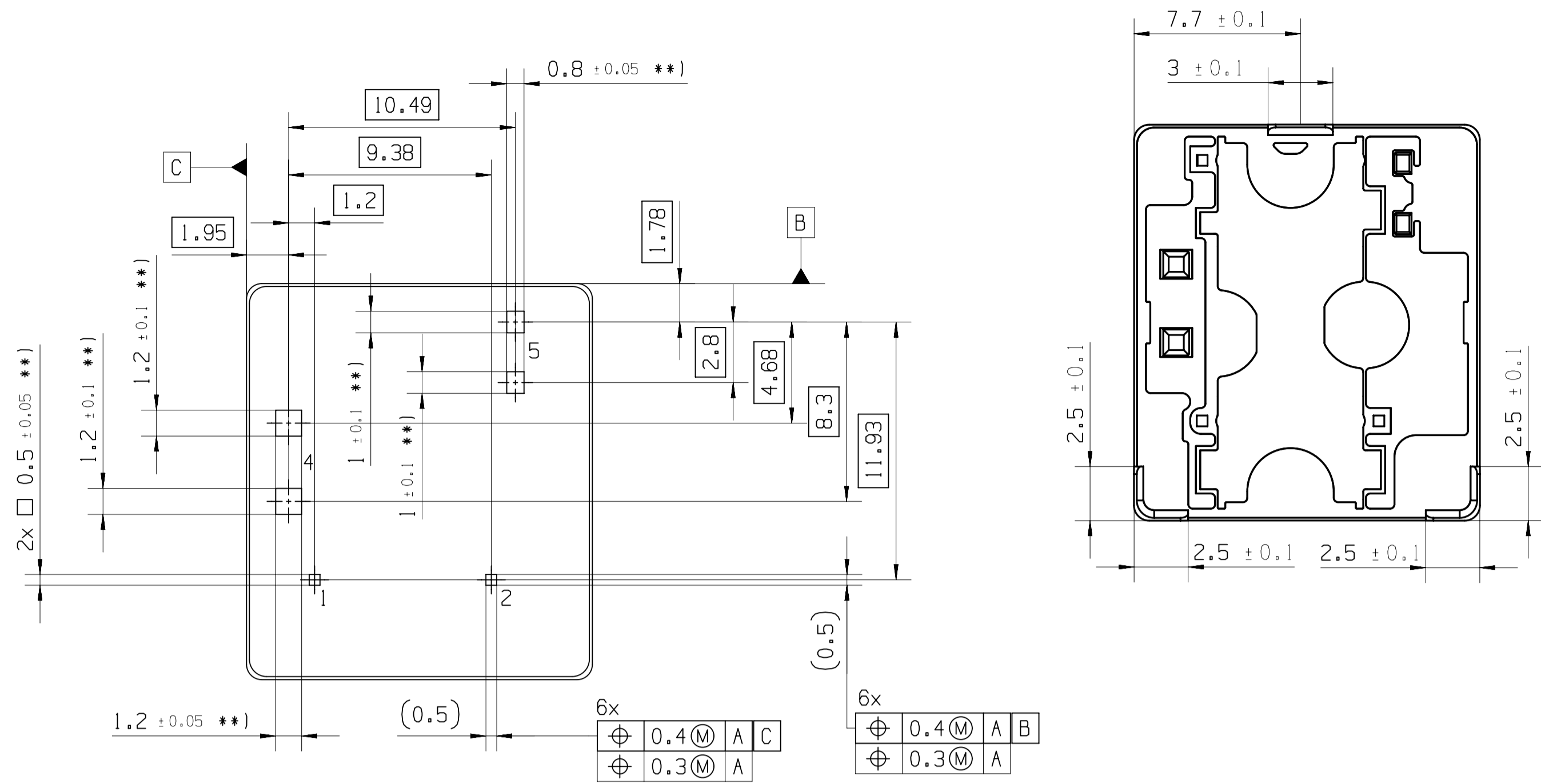
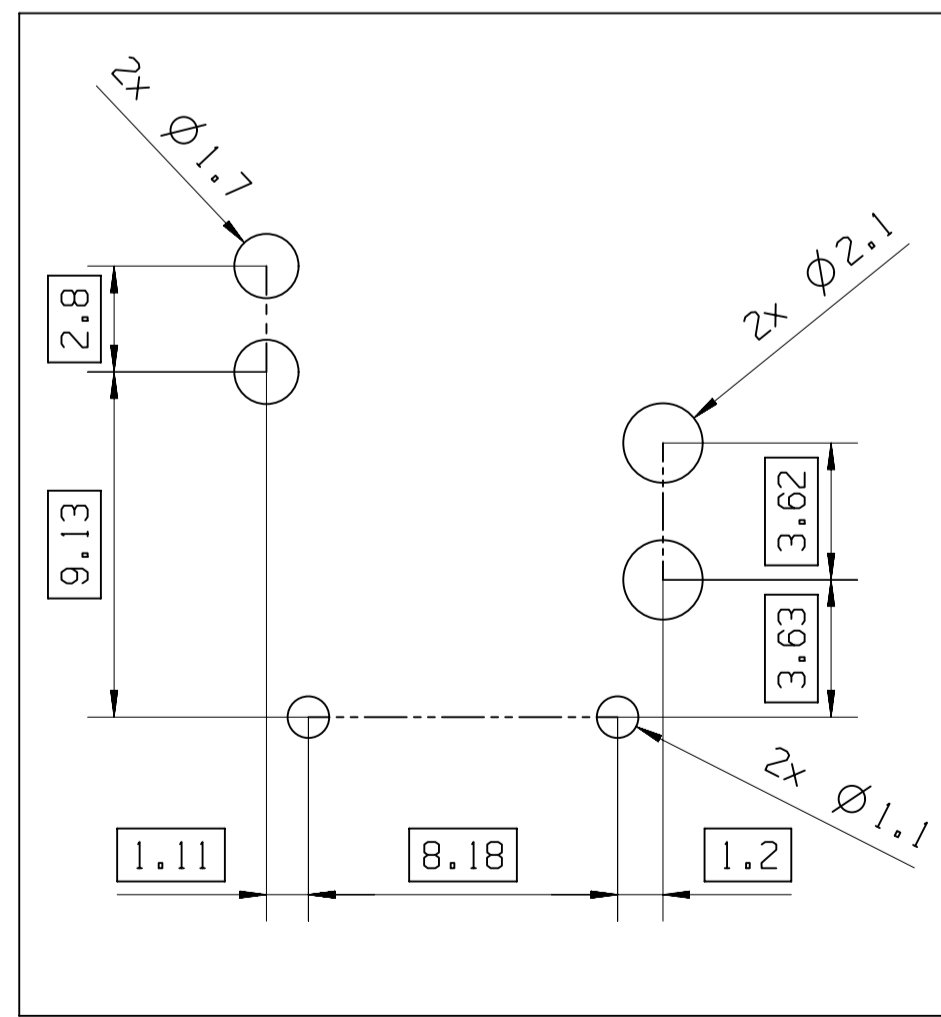
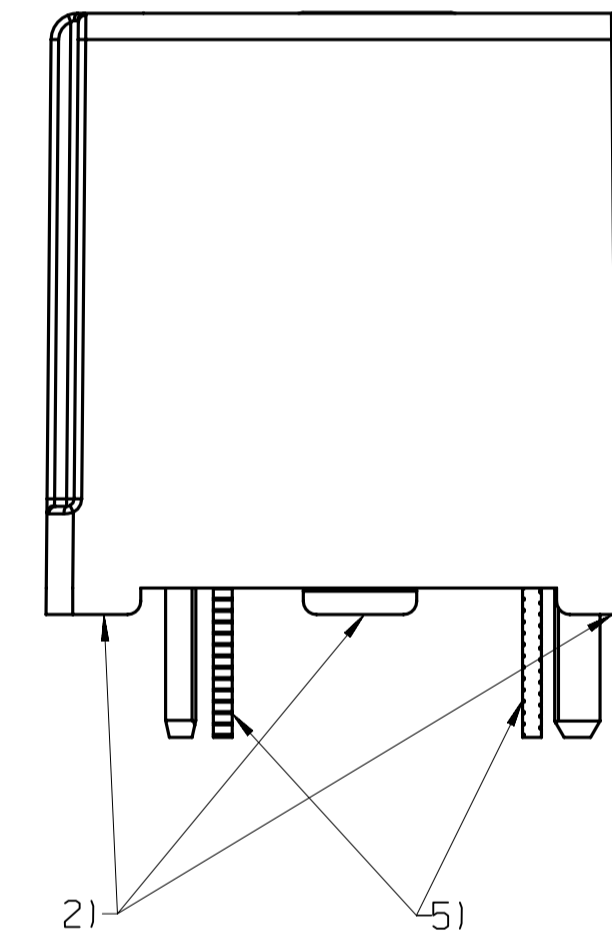
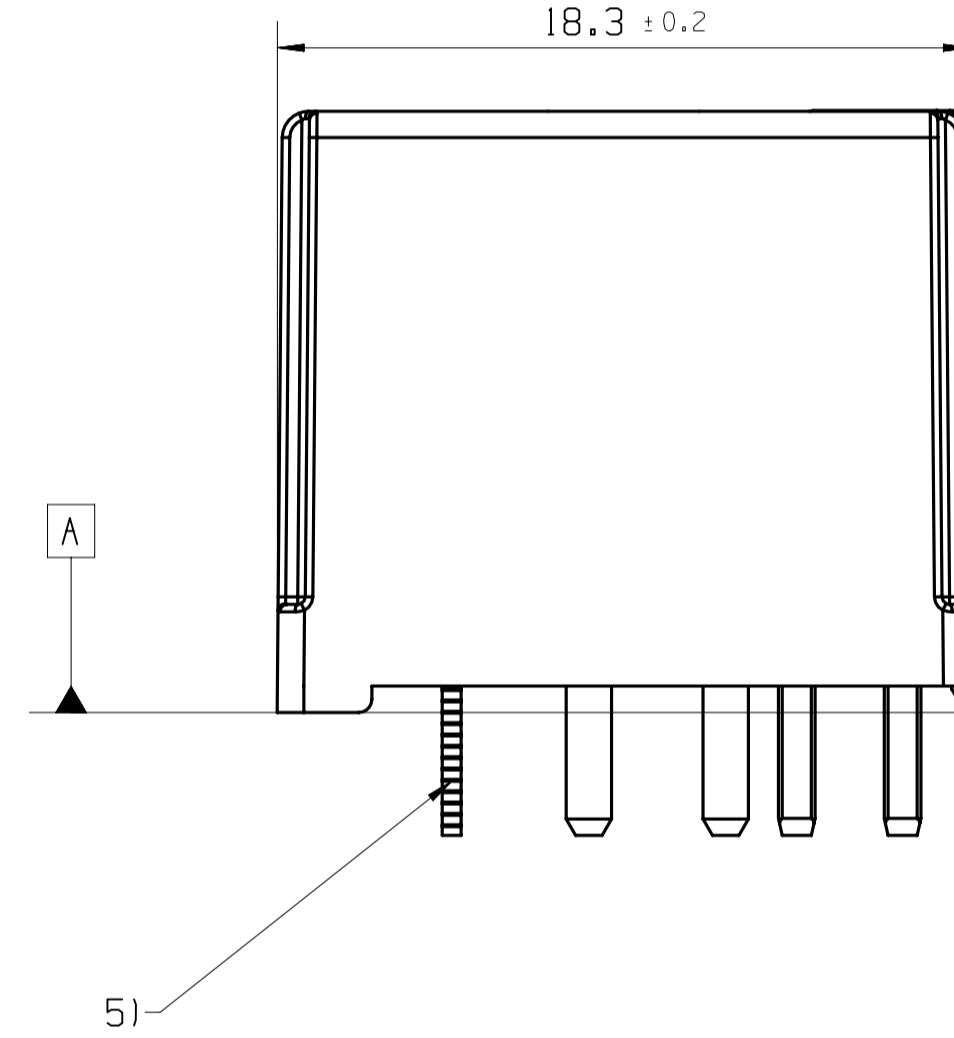
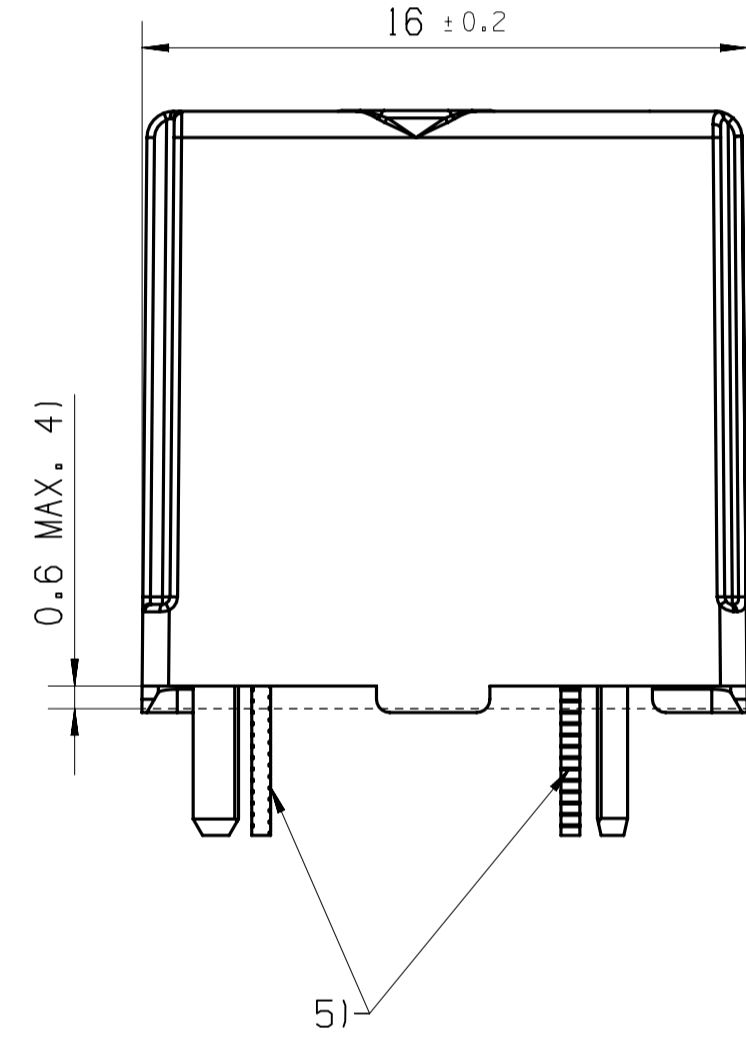
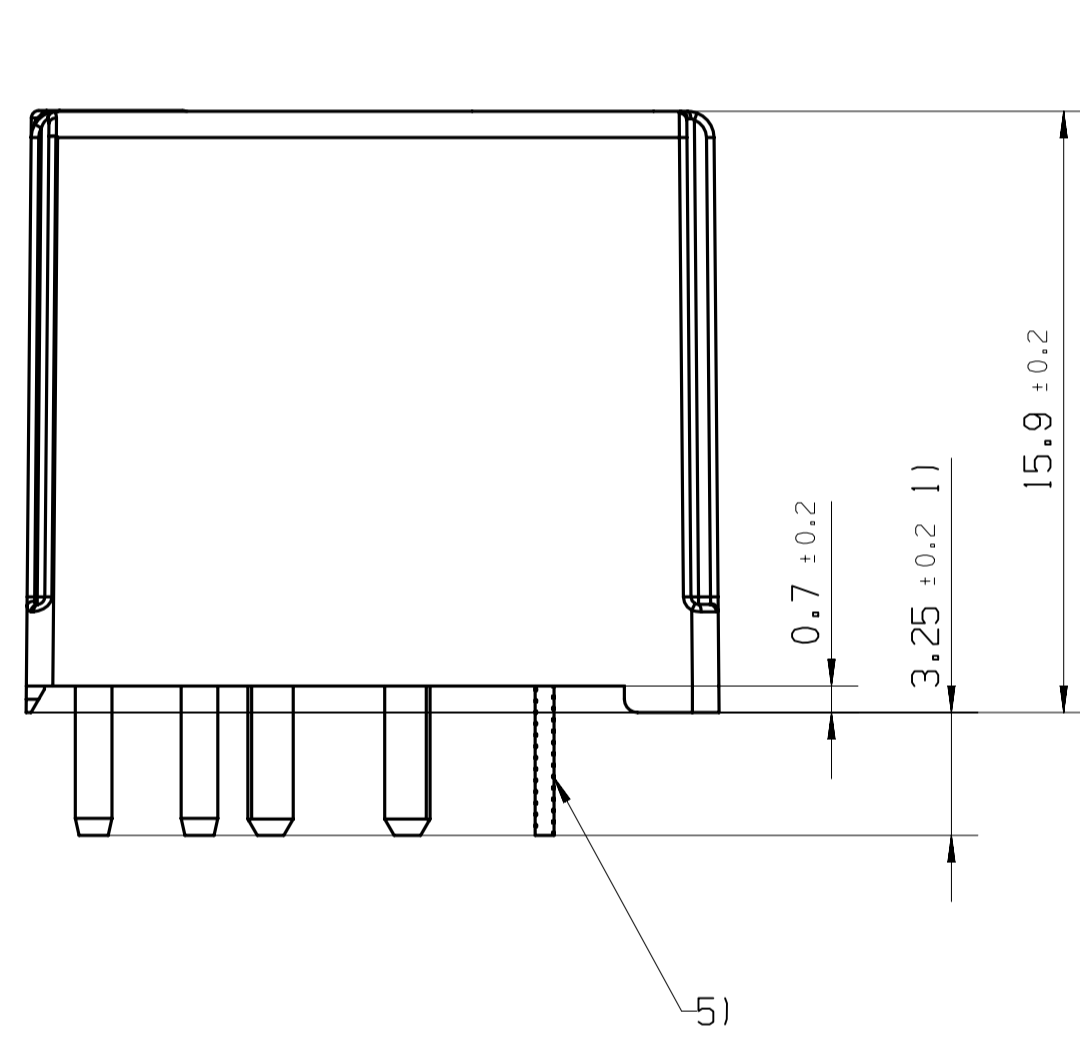
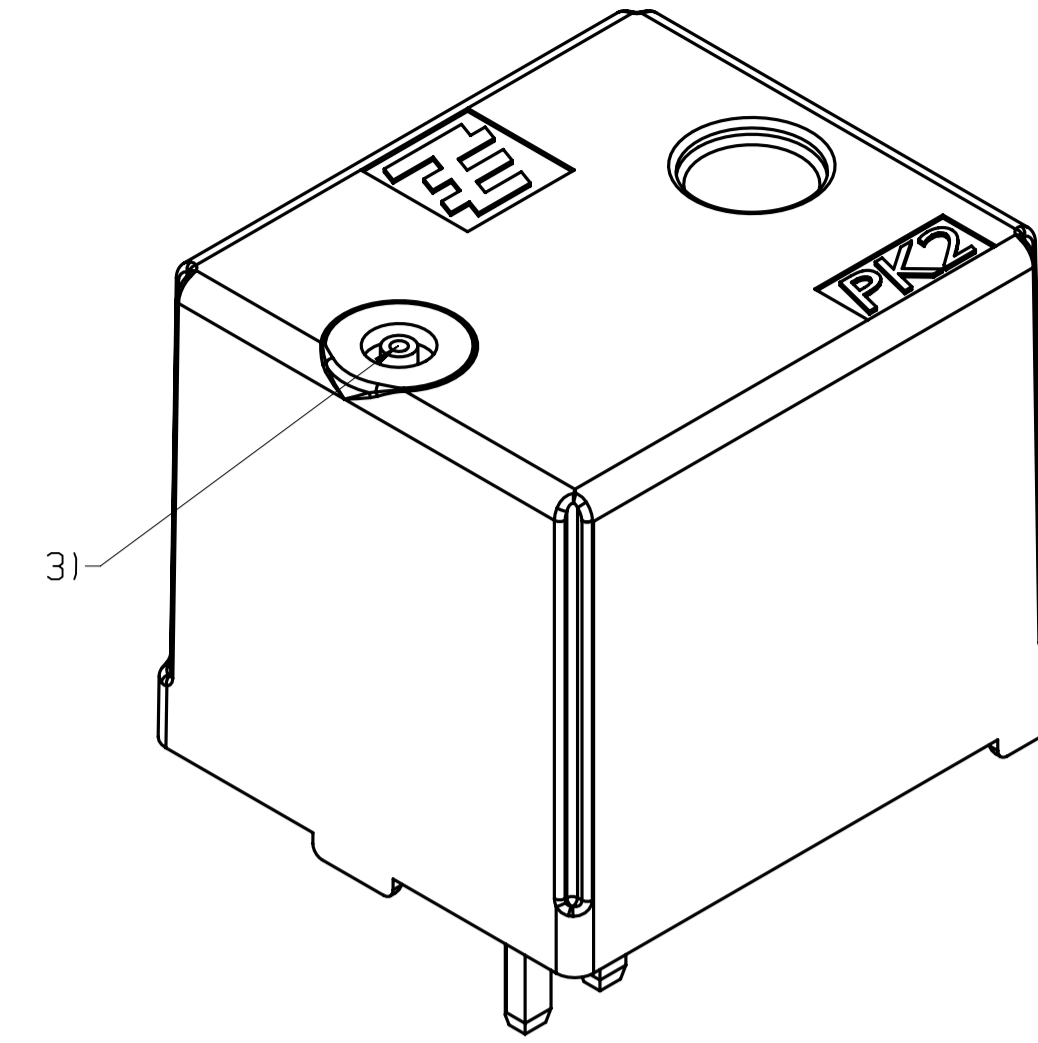


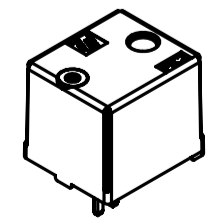
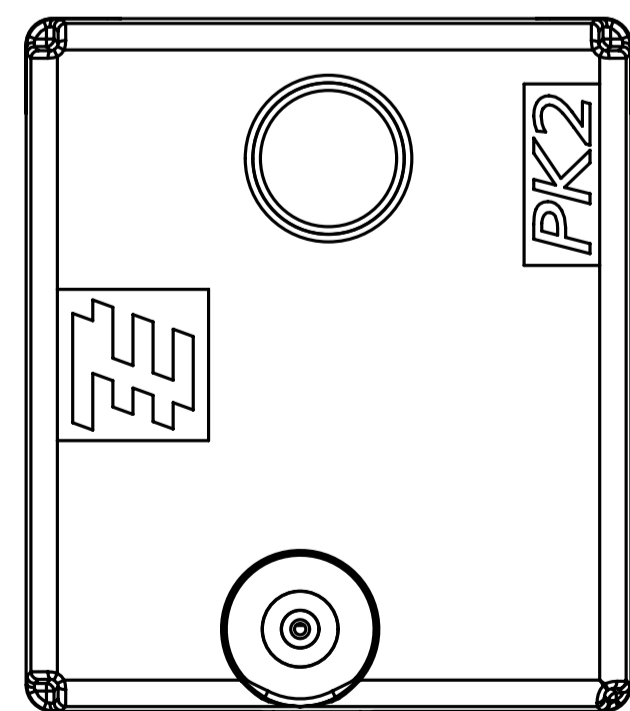
PINNING



REMARK: POSITION TOLERANCES ACC. TO DIN EN ISO 5458
 **) WITHOUT TINNING (HOT DIP)



GAUGE DIMENSIONS FOR TINNED RELAY



1:1

5-1414782-7	V23201-C1001-A502	VENT HOLE CLOSED
7-1904100-8	V23201-C1001-A512	VENT HOLE CLOSED
6-1414932-3	V23201-R1005-A502	VENT HOLE OPEN
7-1904107-4	V23201-R1001-A512	VENT HOLE OPEN
PART NUMBER	DESCRIPTION	3)

- 1) PIN LENGTH WITHOUT TIN (MAX. 4.25 mm WITH TIN)
- 2) STAND OFF SURFACE FREE OF RESIN AND TIN
- 3) CHECK PN TABLE
- 4) ALLOWED AREA WITHOUT ADDITIONAL DIP TIN, RESPECTIVELY HEIGHT OF RESIN ON TERMINALS
- 5) COIL PINS KNURLED SURFACES ORIENTATION INDICATIVE ONLY

PROPRIETARY THE REPRODUCTION, TRANSMISSION OR USE OF THIS DOCUMENT OR ITS CONTENTS IS NOT PERMITTED WITHOUT EXPRESSED WRITTEN AUTHORITY. OFFENDERS WILL BE LIABLE FOR ALL DAMAGES. ALL RIGHTS, INCLUDING RIGHTS CREATED BY REGISTERED PATENT(S) GRANTED FOR A UTILITY MODEL OR DESIGN, ARE RESERVED.		CHANGES TO THIS DRAWING MUST BE DONE ONLY IN CAD		PAPER SIZE A1
APPLICABLE SPEC.:		FINISH:		
TOLERANCE UNLESS SPECIFIED OTHERWISE 150 2768-mk		DIMENSIONS IN MM		
DIMENSIONS APPLY		PLATING		
SCALE: 5:1		WEIGHT:		
MATERIAL:		PART NAME:		
PK2 RELAY COMPL MONO		DWG NO.:		
C23303-A0201-A001		SHT. 1 OF 1		
CUSTOMER DRAWING		DATE:		