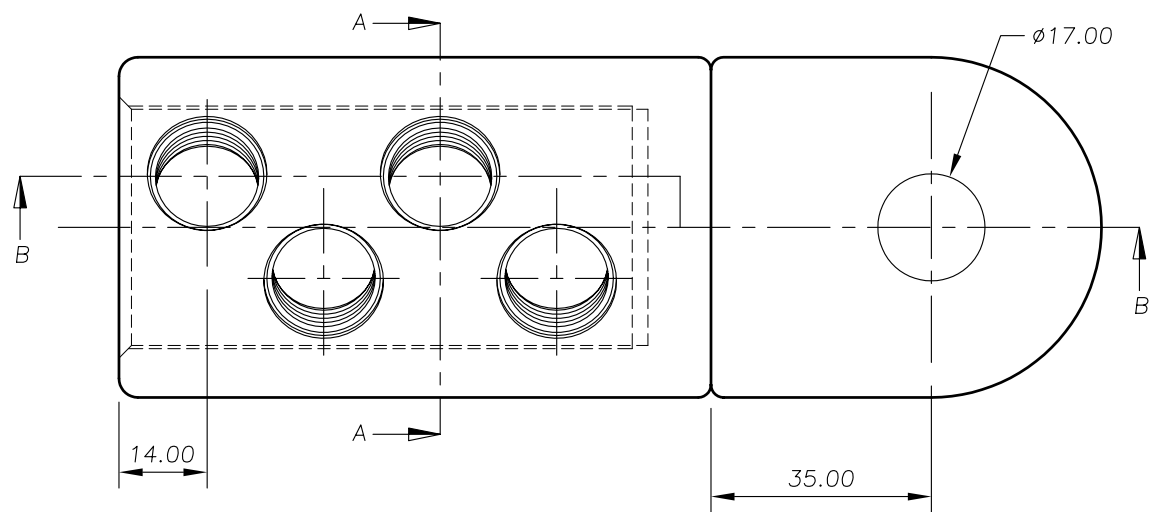
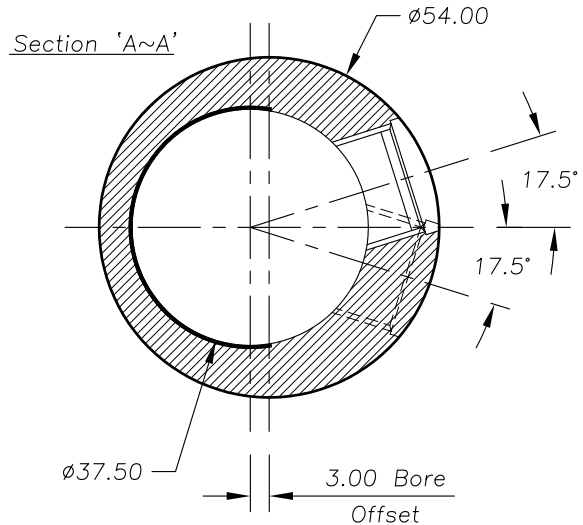
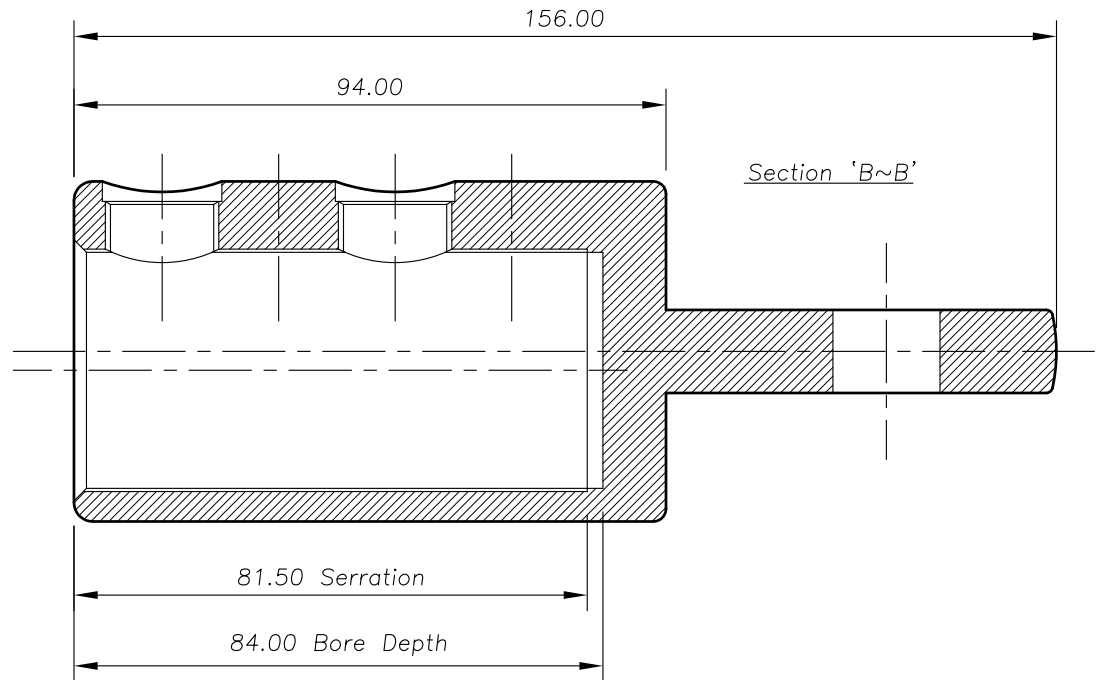
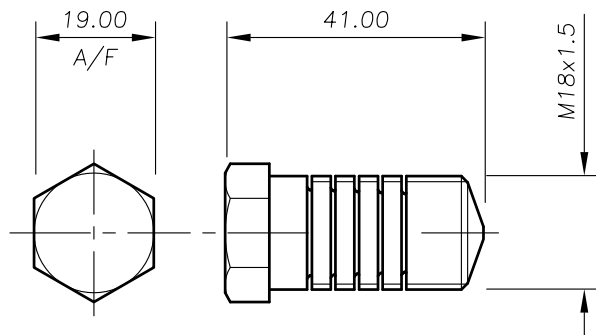


Connector Body



M18 Conductor Clamping Bolt



PART/DRG NO.	QTY.	DESCRIPTION
01-403-0106	1	MV COPPER END TERMINATION BODY - 54.0 O/D 37.5 I/D CENTRE PALM WITH Ø17.0 HOLE
01-701-0010	4	M18x1.5 19 A/F 41.0 LONG BRASS MULTI-SHEAR BOLT

Issued to: Commercial Quality Stores Production

**tyco**  
Electronics  
**B&H**

Tyco Electronics UK Ltd  
Aldridge Site  
Middlemore Lane West  
Aldridge  
West Midlands WS9 8EA  
Phone: +44(0)1922 743993  
Fax: +44(0)1922 744150

Material VARIES  
Finish VARIES  
Tolerances (UOS) -  
B&H Short Desc. VETC37-16UTB

IF IN DOUBT ASK! - DO NOT SCALE

Part Description  
MV COPPER END TERMINATION - 54.0 O/D 37.5 I/D  
CENTER PALM WITH Ø17.0 HOLE

B	TITLE BLOCK REVISED, B&H SHORT DESC. ADDED	S.P.W	9.8.02
A	FIRST ISSUE	S.P.W	30.4.02
Revision	Description	Name	Date
Design/Drawn	S.P.WEST	Date.	30 APR 2002
Checked by	Approved by	Scale (UOS)	1:1.25
Drawing/Part No.	02-403-0093	Drawing Type	ASSEMBLY
		THIRD ANGLE PROJECTION	Revision.
			B