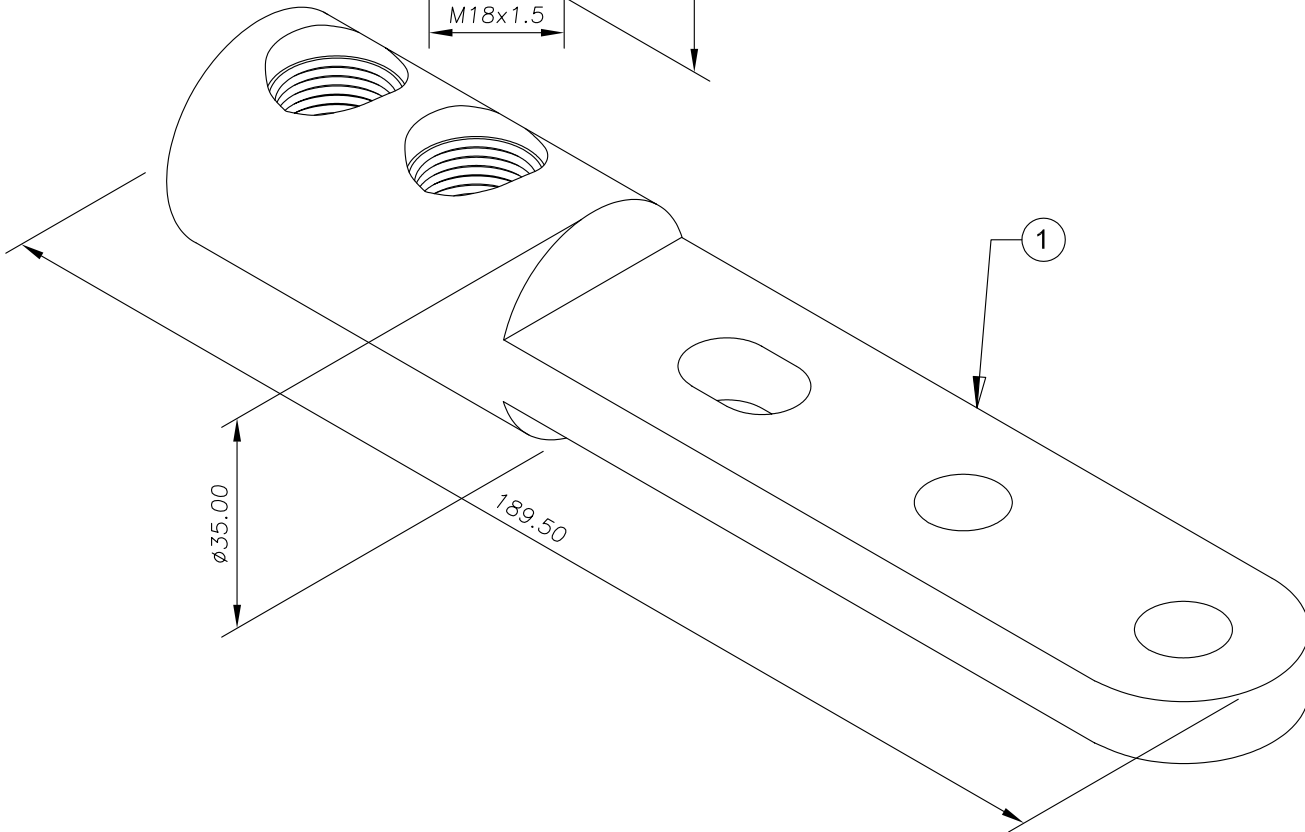


ITEM	PART/DRG NO.	QTY.	DESCRIPTION
1	01-403-0074	1	MV BRASS END TERM BODY - 35.0 O/D 25.0 I/D CTR PALM O'HEAD TYPE (SPEC'L) WITH Ø13.0 HOLE & SLOT
2	01-701-0010	2	M18x1.5 19 A/F 41.0 LONG BRASS MULTI-SHEAR BOLT



Issued to: Commercial	Quality	Stores	Production	A	FIRST ISSUE	S.P.W	18.2.02
				Revision	Description	Name	Date
				Design/Drawn	S.P.WEST	Date	18 FEB 2002
				Checked by	Approved by	Scale (UOS)	1:1.25
				Drawing/Part No.	02-403-0092	Drawing Type	ASSEMBLY
				Part Description		THIRD ANGLE PROJECTION	
				MV BRASS END TERMINATION - 35.0 O/D 21.0 I/D CENTRE PALM OVERHEAD TYPE (SPECIAL) WITH Ø13.0 HOLES & SLOT			
				Revision: A			

tyco
Electronics
Energy Division

B&H
 Middlemore Lane West,
 Redhouse Ind. Est. Aldridge,
 West Midlands WS9 8EA
 Phone: +44(0)1922 744144
 Fax: +44(0)1922 744150

Material BRASS CZ121
 Finish NATURAL
 Tolerances (UOS) -
 Remove all Burrs and Sharp Edges
 All Threads to BS3643 Pt 2

IF IN DOUBT ASK! - DO NOT SCALE

Design/Drawn S.P.WEST Date 18 FEB 2002 Scale (UOS) 1:1.25

Checked by Approved by

Drawing/Part No. 02-403-0092 Drawing Type ASSEMBLY

Revision: A