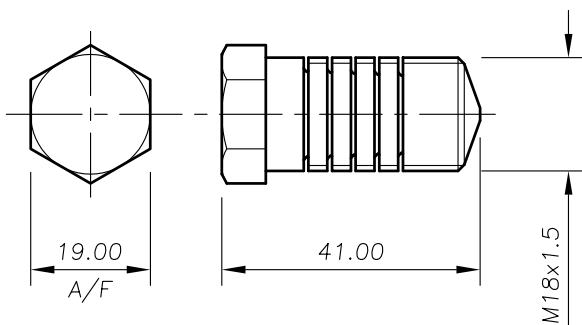
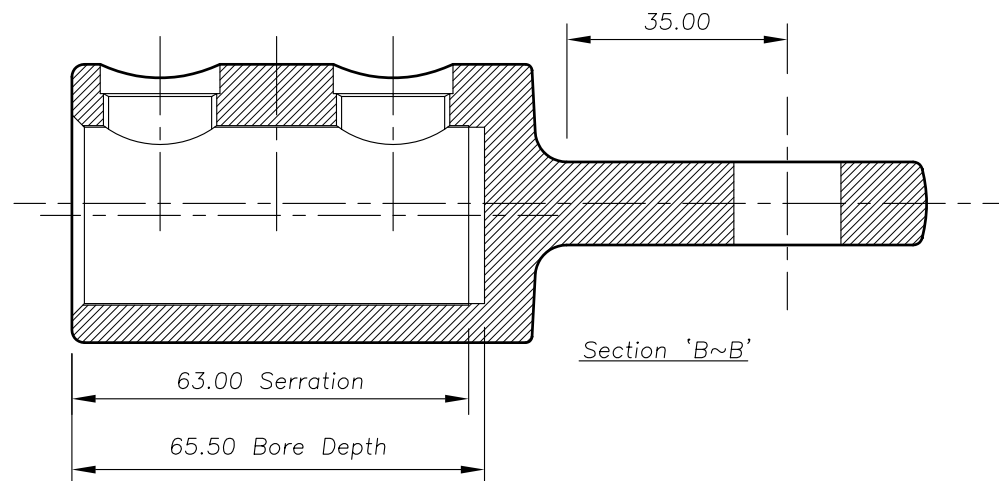


M18 Conductor Clamping Bolt



Connector Body



PART/DRG NO.	QTY.	DESCRIPTION
01-403-0085	1	MV BRASS END TERMINATION BODY - 44.2 O/D 28.0 I/D CENTRE PALM WITH Ø17.0 HOLE
01-701-0010	3	M18x1.5 19 A/F 41.0 LONG BRASS MULTI-SHEAR BOLT

Issued to: Commercial	Quality	Stores	Production	A	FIRST ISSUE	S.P.W	26.2.02
				Revision	Description	Name	Date
				Design/Drawn	S.P.WEST	Date.	26 FEB 2002
				Checked by	Approved by	Scale (UoS)	1:1.25
				Drawing/Part No.	02-403-0086	Drawing Type	ASSEMBLY
				THIRD ANGLE PROJECTION		Revision.	
						A4	
						A	

tyco
 Electronics
 Energy Division

B&H
 Middlemore Lane West,
 Redhouse Ind. Est. Aldridge,
 West Midlands WS9 8EA
 Phone: +44(0)1922 744144
 Fax: +44(0)1922 744150

Material BRASS
 Finish NATURAL
 Tolerances (UOS) -
 Remove all Burrs and Sharp Edges
 All Threads to BS3643 Pt 2

IF IN DOUBT ASK! - DO NOT SCALE

Part Description
 MV BRASS END TERMINATION - 44.2 O/D 28.0 I/D
 CENTRE PALM WITH Ø17.0 HOLE