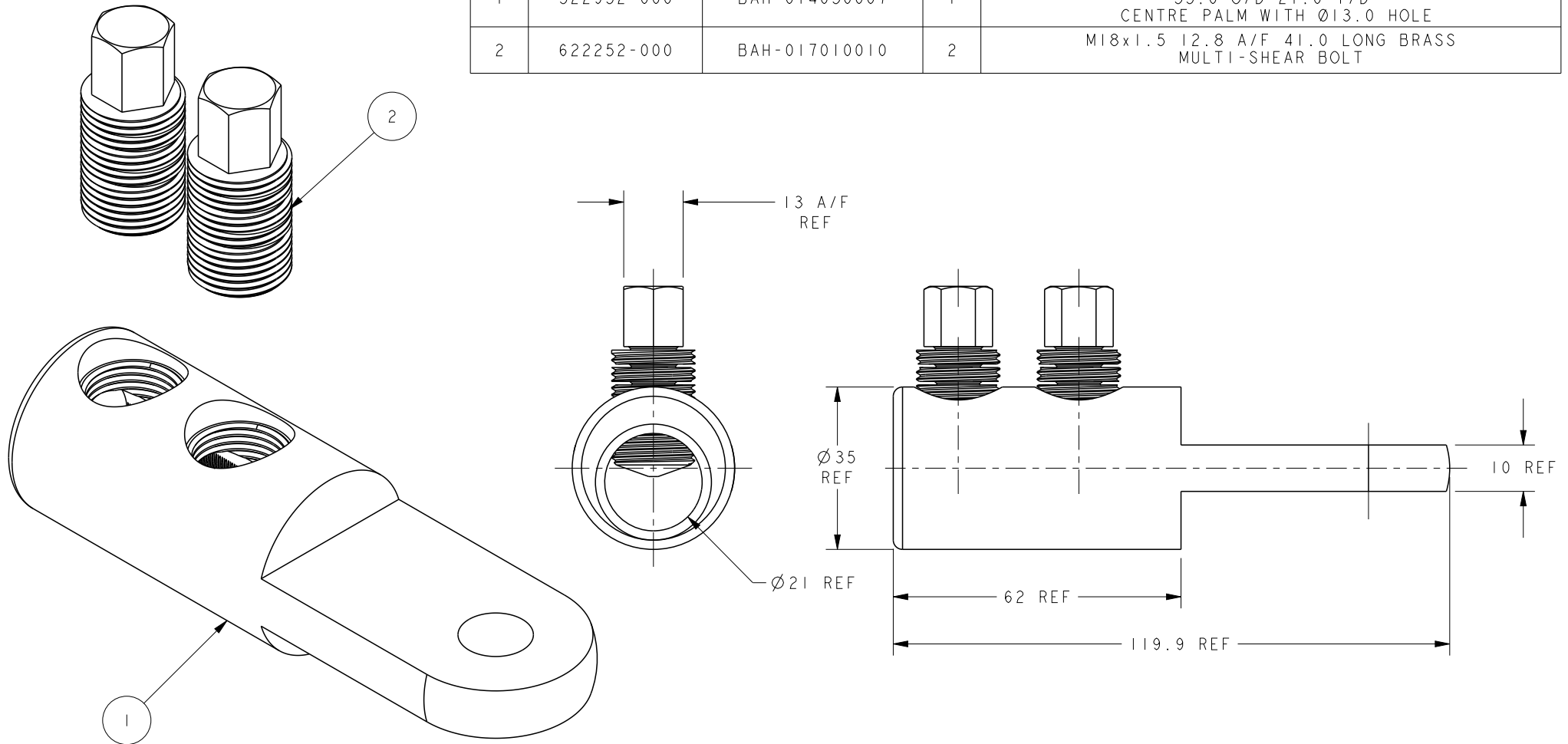


ITEM	PART/DRG NO	TCPN DESCRIPTION	QTY	DESCRIPTION
1	522952-000	BAH-014030067	1	MV BRASS END TERMINATION BODY 35.0 O/D 21.0 I/D CENTRE PALM WITH Ø13.0 HOLE
2	622252-000	BAH-017010010	2	M18x1.5 12.8 A/F 41.0 LONG BRASS MULTI-SHEAR BOLT



D	HEX BOLT HEAD REDUCED AS PER ECR	SD/DMR-GC-0020	21JAN21
C	PICTORIAL CHANGE ONLY - BODY MACHINED NOT FORGED	BH-00086	02/09/05
B	PART No. WAS VETB21-12UTB, DRG No WAS E15-B03-A01	S.P.W	11.1.02
A	FIRST ISSUE	S.P.W	14.5.01
Revision	Description	Name/DBR	Date
Design/Drawn	S.P.WEST	Date	14 MAY 2001
		Scale (UOS)	1:1
TCPN	622942-000	Part Weight	
Drawing/Part No	BAH-024030068	Drawing Type	CUSTOMER DRAWING
		THIRD ANGLE PROJECTION	A4
		Rev	D



Material	VARIES
Finish	VARIES
Tolerances (UOS)	-
B&H Short Desc.	VETB2112UTB

- IF IN DOUBT ASK - DO NOT SCALE -	
Part Description	
MV BRASS END TERMINATION 35.0 O/D 21.0 I/D CENTRE PALM WITH Ø13.0 HOLE	

REMOVE ALL BURRS AND SHARP EDGES - SURFACES TO BE FREE FROM SCRATCHES AND DEFECTS - ALL THREADS TO BS3643 PT 2

© 2017 TYCO ELECTRONICS UK LTD, WITHAM, UK