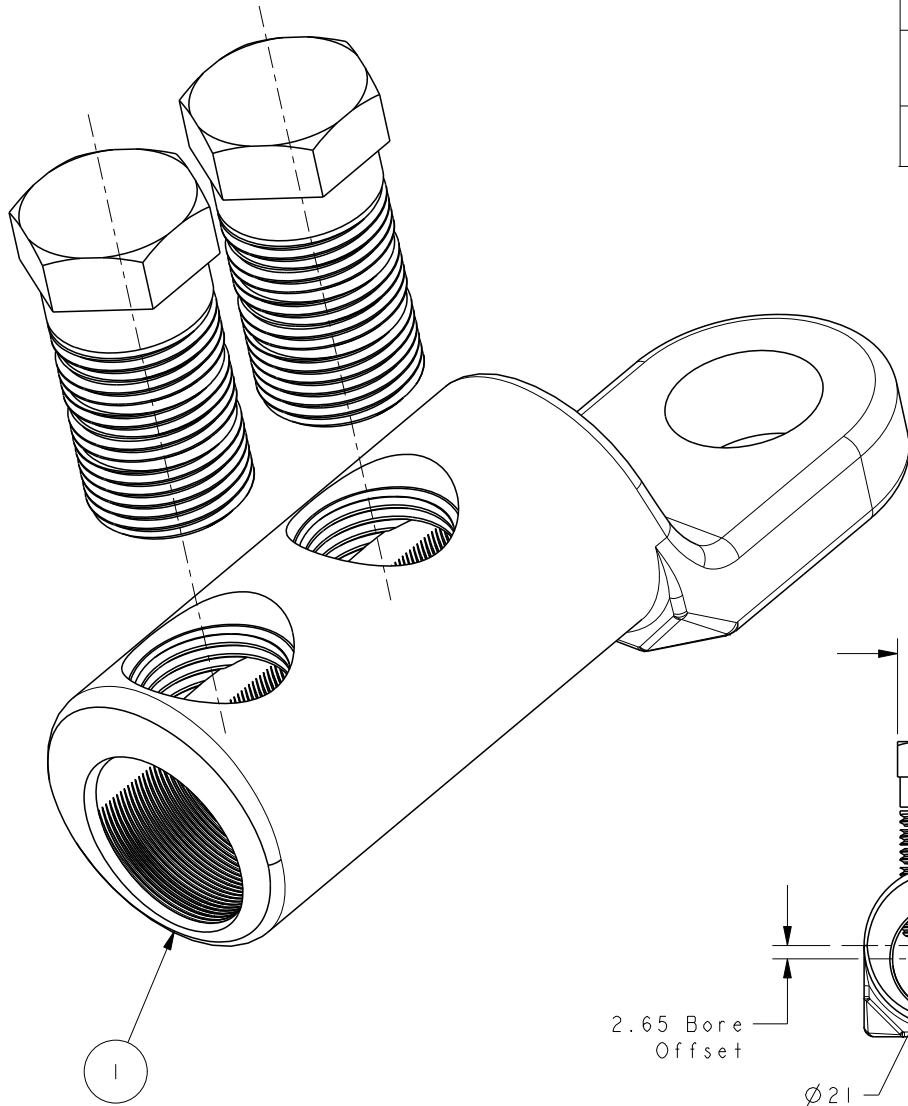
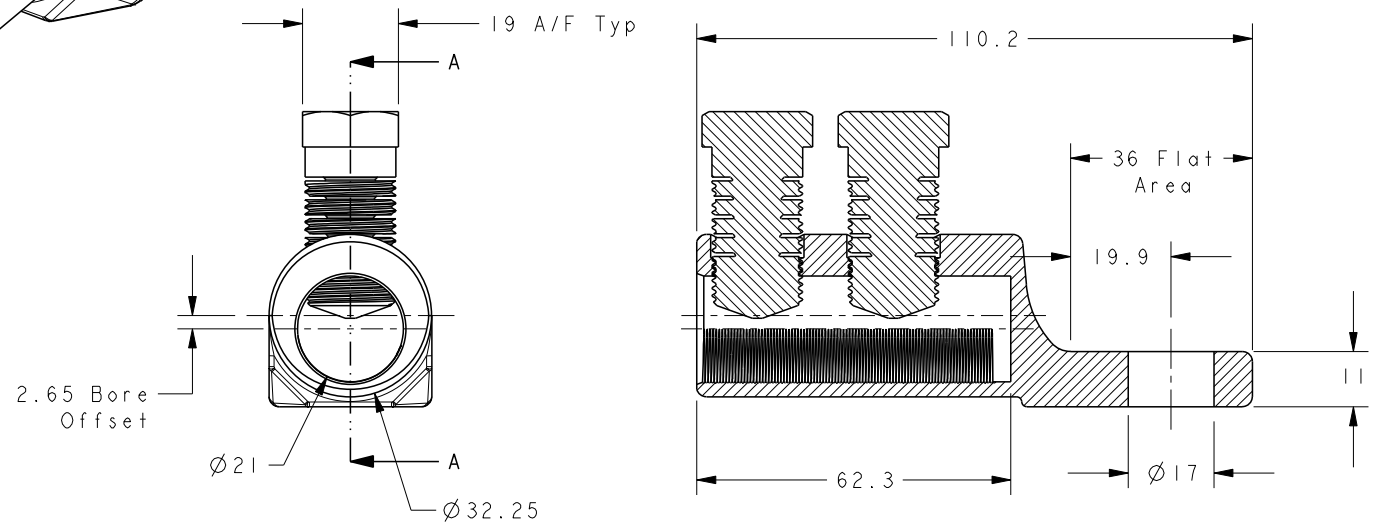


ITEM	PART/DRG NO	QTY	DESCRIPTION
1	01-403-0016	1	MV ALUMINIUM END TERMINATION BODY 32.25 O/D 21.0 I/D - OFFSET PALM WITH Ø17.0 HOLE
2	01-701-0010	2	M18x1.5 19 A/F 41.0 LONG BRASS MULTI-SHEAR BOLT



SCALE 2:3

SECTION A-A



C	PICTORIAL CHANGE		BH-01083	26/02/15
B	TABLE CORRECTED, ITEM 2 WAS 01-701-0013		S.P.W	7.10.03
A	FIRST ISSUE		S.P.W	5.11.01
Revision	Description		Name/DMR	Date
Design/Drawn	S.P.WEST	Date	05-NOV-01	Scale (UOS) 5:4
TCPN	145876-000	Part Weight	272.2g	 THIRD ANGLE PROJECTION
Drawing/Part No	BAH-024030019	Drawing Type	CUSTOMER	
				Rev C



Material	VARIES
Finish	NATURAL
Tolerances (UOS)	±-
B&H Short Desc.	HVETM18-16UTC

Part Description - IF IN DOUBT ASK - DO NOT SCALE -
**MV ALUMINIUM END TERMINATION - 32.25 O/D
 21 I/D - OFFSET PALM WITH Ø17.0 HOLE**

REMOVE ALL BURRS AND SHARP EDGES - SURFACES TO BE FREE FROM SCRATCHES AND DEFECTS - ALL THREADS TO BS3643 PT 2

© 2014 TYCO ELECTRONICS UK LTD, WITHAM, UK