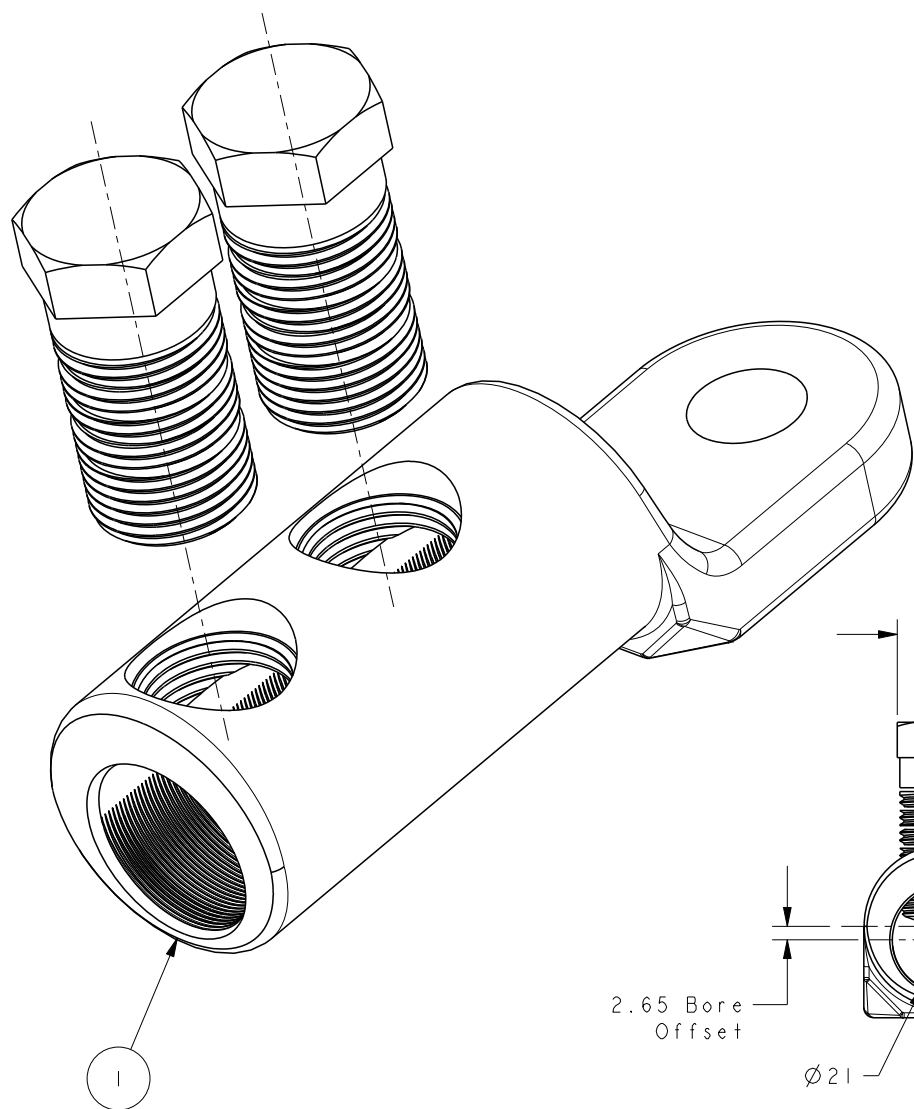
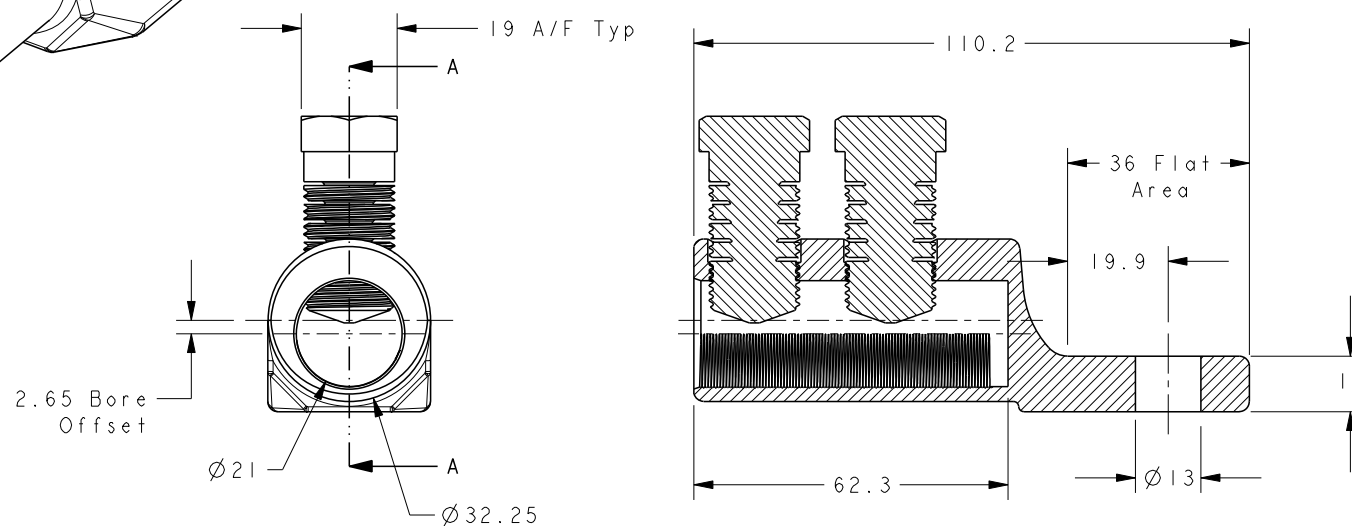


ITEM	PART/DRG NO	QTY	DESCRIPTION
1	01-403-0009	1	MV ALUMINIUM END TERMINATION BODY 32.25 O/D 21.0 I/D - OFFSET PALM WITH Ø13.0 HOLE
2	01-701-0010	2	M18x1.5 19 A/F 41.0 LONG BRASS MULTI-SHEAR BOLT



SCALE 2:3

SECTION A-A



D	PICTORIAL CHANGE	BH-01083	26/02/15
C	B&H SHORT DESCRIPTION REVISED	S.P.W	21.10.03
B	M18 MULTI-SHEAR BOLT REVISED, WAS 01-701-00131	S.P.W	28.2.02
A	FIRST ISSUE	S.P.W	5.11.01

Revision	Description	Name/DMR	Date
Design/Drawn	S.P.WEST	Date	05-NOV-01
		Scale (UOS)	54
TCPN	493632-000	Part Weight	272.94g
Drawing/Part No	BAH-024030012	Drawing Type	CUSTOMER
		Rev	D



Material	VARIES
Finish	NATURAL
Tolerances (UOS)	±
B&H Short Desc.	HVETM18-12UTC

- IF IN DOUBT ASK - DO NOT SCALE -
 Part Description
**MV ALUMINIUM END TERMINATION - 32.25 O/D
 21 I/D - OFFSET PALM WITH Ø13.0 HOLE**

REMOVE ALL BURRS AND SHARP EDGES - SURFACES TO BE FREE FROM SCRATCHES AND DEFECTS - ALL THREADS TO BS3643 PT 2

© 2014 TYCO ELECTRONICS UK LTD, WITHAM, UK