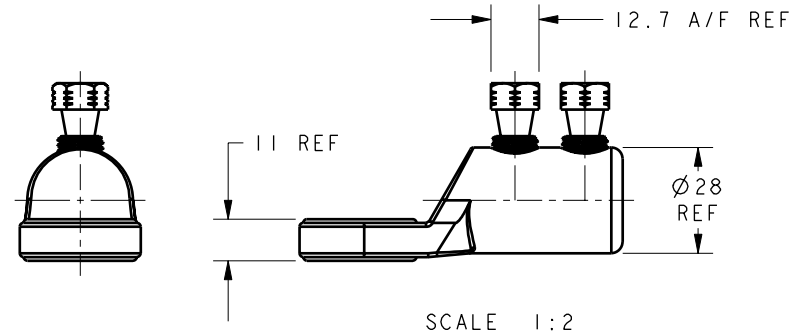
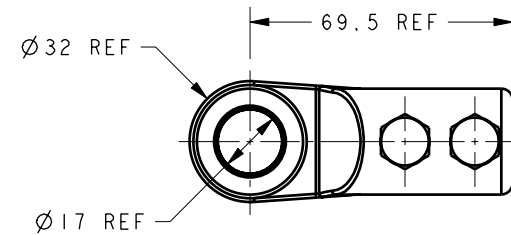
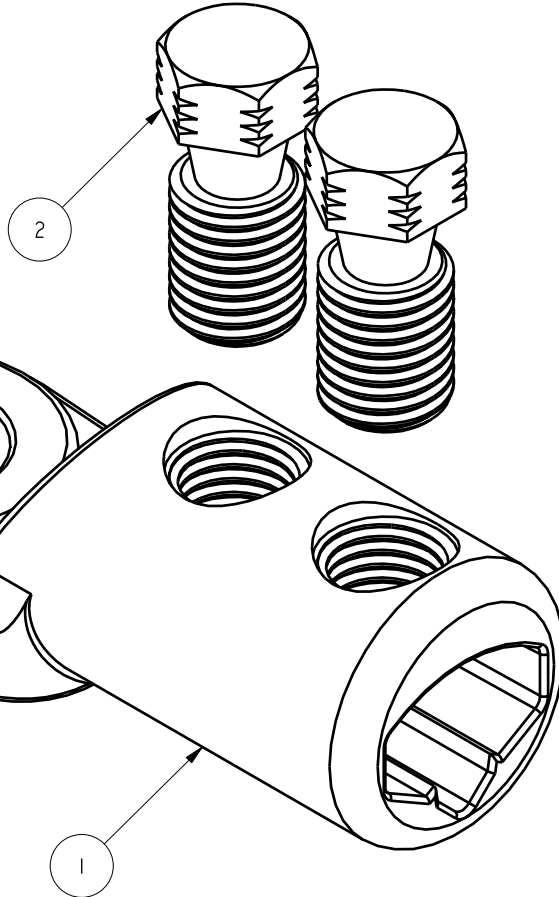


SCALE 1:2

ITEM	PART/DRG NO	QTY	DESCRIPTION
1	01-402-0033	1	LV ALUMINIUM END TERMINATION BODY WITH SECTORAL BORE TO SUIT 120mm <sup>2</sup> - OFFSET PALM WITH Ø17.0 HOLE
2	01-700-0066	2	M12x1.5 13 A/F 31.0 LONG ALUMINIUM SINGLE SHEAR BOLT



SCALE 1:2



Tyco Electronics UK Ltd  
 Freebournes Road, Witham  
 Essex, CM8 3AH, UK.  
 Tel: +44 1376 509509  
 Fax: +44 1376 509511  
<http://energy.tycoelectronics.com>

Material	VARIES
Finish	VARIES
Tolerances (UOS)	-
B&H Short Desc.	LVET12016(SECT)/AG3M12

IF IN DOUBT ASK - DO NOT SCALE	
Part Description	LV ALUMINIUM END TERMINATION CONNECTOR
	- 28.0 O/D WITH SECTORAL BORE TO SUIT 120mm <sup>2</sup>
	- OFFSET PALM WITH Ø17.0 HOLE (AG3M12)

A	FIRST ISSUE	BH-00045	14/04/05
Revision	Description	Name/DMR	Date
Design/Drawn	D M EATON	Date.	14-Apr-05
		Scale (UOS)	3:2
PCN/RPN No	531714-000	Checked/Approved by	
Drawing/Part No.	02-402-0035	Drawing Type	ASSEMBLY/CUSTOMER
		THIRD ANGLE PROJECTION	Revision
			A

REMOVE ALL BURRS AND SHARP EDGES - SURFACES TO BE FREE FROM SCRATCHES AND DEFECTS - ALL THREADS TO BS3643 PT 2

© 2005 TYCO ELECTRONICS UK LTD. WITHAM, UK