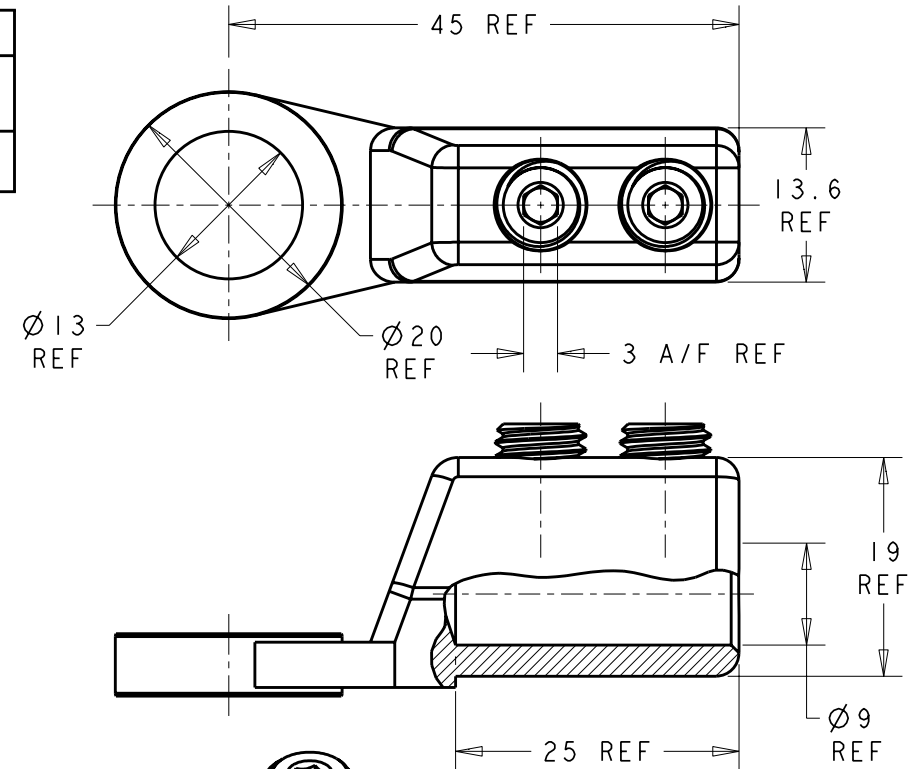
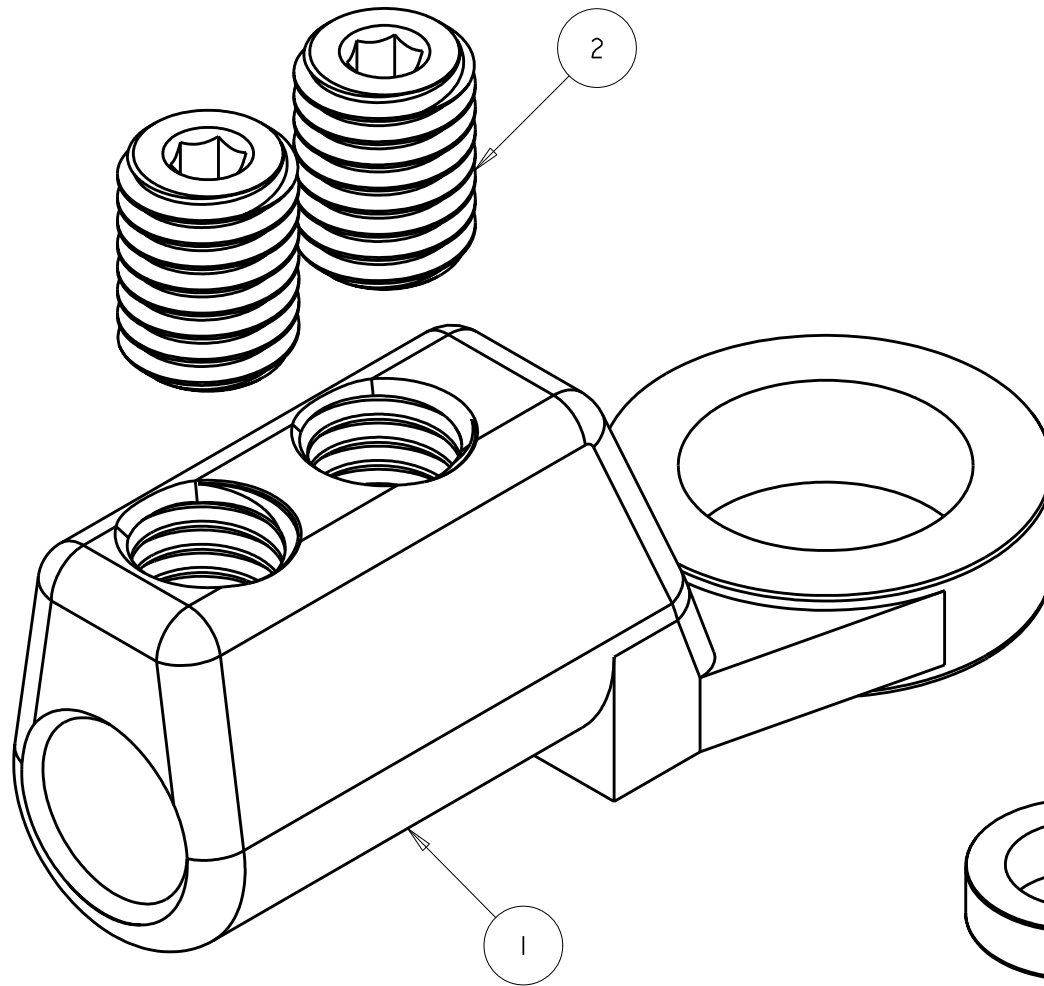


ITEM	PART/DRG NO	QTY	DESCRIPTION
1	01-402-0074	1	LV BRASS END TERMINATION BODY - Ø9.0 BORE - OFFSET PALM WITH Ø13.0 HOLE
2	01-708-0007	2	M8x1.25 3 A/F 10.5 LONG BRASS GRUBSCREW



SCALE 3:2

D	PALM HOLE Ø13 WAS Ø14	BH-00657	16/08/10
C	PALM HOLE Ø14 WAS Ø13	BH-00209	16/11/06
B	PART No WAS BET35-12, DRG No WAS E18-B01-A04	S.P.W	22.1.02
A	FIRST ISSUE	S.P.W	6.12.00
Revision	Description	Name/DMR	Date
Design/Drawn	S P WEST	Date	6 DEC 2000
PCN/RPN No	653944-000	Scale (UOS)	3:1
Drawing/Part No	BAH-024020006	Checked/Approved by	
Drawing Type	ASSEMBLY/CUSTOMER	THIRD ANGLE PROJECTION	Rev D

Tyco Electronics

Tyco Electronics UK Ltd, Freebournes Road,
Witham, Essex, CM8 3AH, UK.
Tel: +44 870 870 7500 Fax: +44 870 240 5289

Material	VARIABLES
Finish	VARIABLES
Tolerances (UOS)	-
B&H Short Desc.	BET035-12

Part Description
LV BRASS END TERMINATION - Ø9.0 BORE
- OFFSET PALM WITH Ø13.0 HOLE
& M8 GRUBSCREWS

- IF IN DOUBT ASK - DO NOT SCALE -

REMOVE ALL BURRS AND SHARP EDGES - SURFACES TO BE FREE FROM SCRATCHES AND DEFECTS - ALL THREADS TO BS3643 PT 2

© 2010 TYCO ELECTRONICS UK LTD, WITHAM, UK