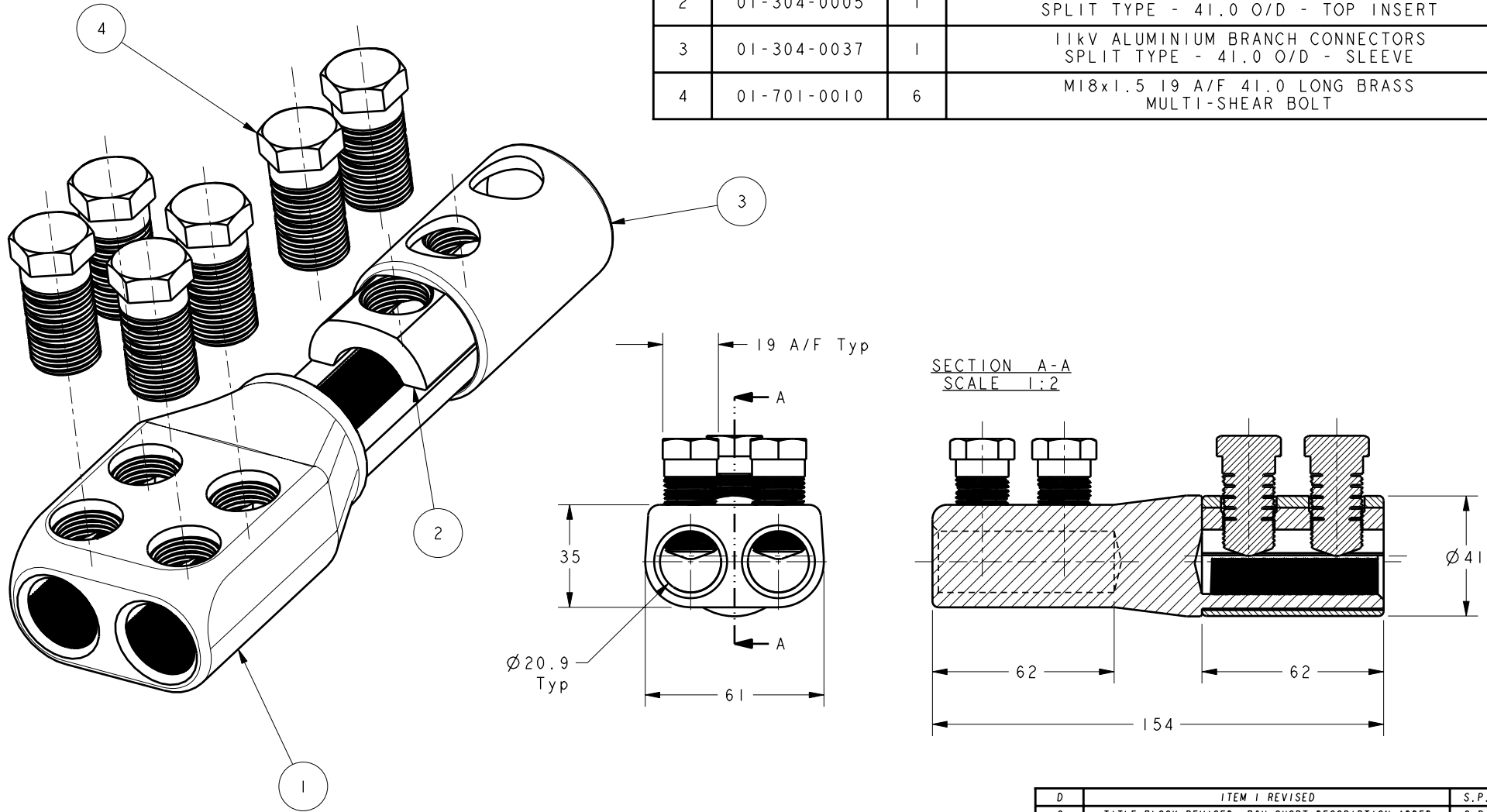


ITEM	PART/DRG NO	QTY	DESCRIPTION
1	01-304-0002	1	11kV ALUMINIUM BRANCH CONNECTOR BODY SPLIT TYPE - 20.9 I/D
2	01-304-0005	1	11kV ALUMINIUM BRANCH CONNECTORS SPLIT TYPE - 41.0 O/D - TOP INSERT
3	01-304-0037	1	11kV ALUMINIUM BRANCH CONNECTORS SPLIT TYPE - 41.0 O/D - SLEEVE
4	01-701-0010	6	M18x1.5 19 A/F 41.0 LONG BRASS MULTI-SHEAR BOLT



D	ITEM 1 REVISED	S.P.W	14.7.03
C	TITLE BLOCK REVISED, B&H SHORT DESCRIPTION ADDED	S.P.W	13.8.02
B	PART No WAS HVBRM18SPUTC, DRG No WAS B19-A02-A01	S.P.W	11.4.02
A	FIRST ISSUE	S.P.W	14.8.00
Revision	Description	Name	Date
Design/Drawn	S.P.WEST	Date	14-Jul-00
Scale	2:3	(UOS)	
Checked by	Approved by		
Drawing/Part No.	Drawing Type		
02-304-0016	ASSEMBLY		
		Revision D	

Issued to: Commercial Quality Stores Production

tyco
Electronics
(B&H)

Tyco Electronics UK Ltd
Aldridge Site
Middlemore Lane West
Aldridge
West Midlands WS9 8EA
Phone: +44(0)1922 743993
Fax: +44(0)1922 744150

Material **VARIES**
Finish **NATURAL**
Tolerances (UOS) \pm -
B&H Short Desc. **HVBRM18SPUTC**

IF IN DOUBT ASK - DO NOT SCALE
Part Description
**11kV ALUMINIUM BRANCH CONNECTOR
SPLIT TYPE - 20.9 I/D**