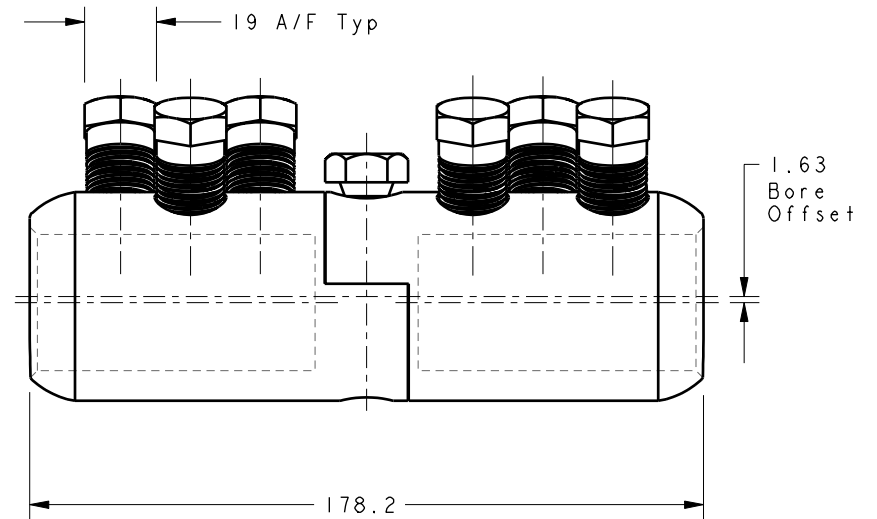
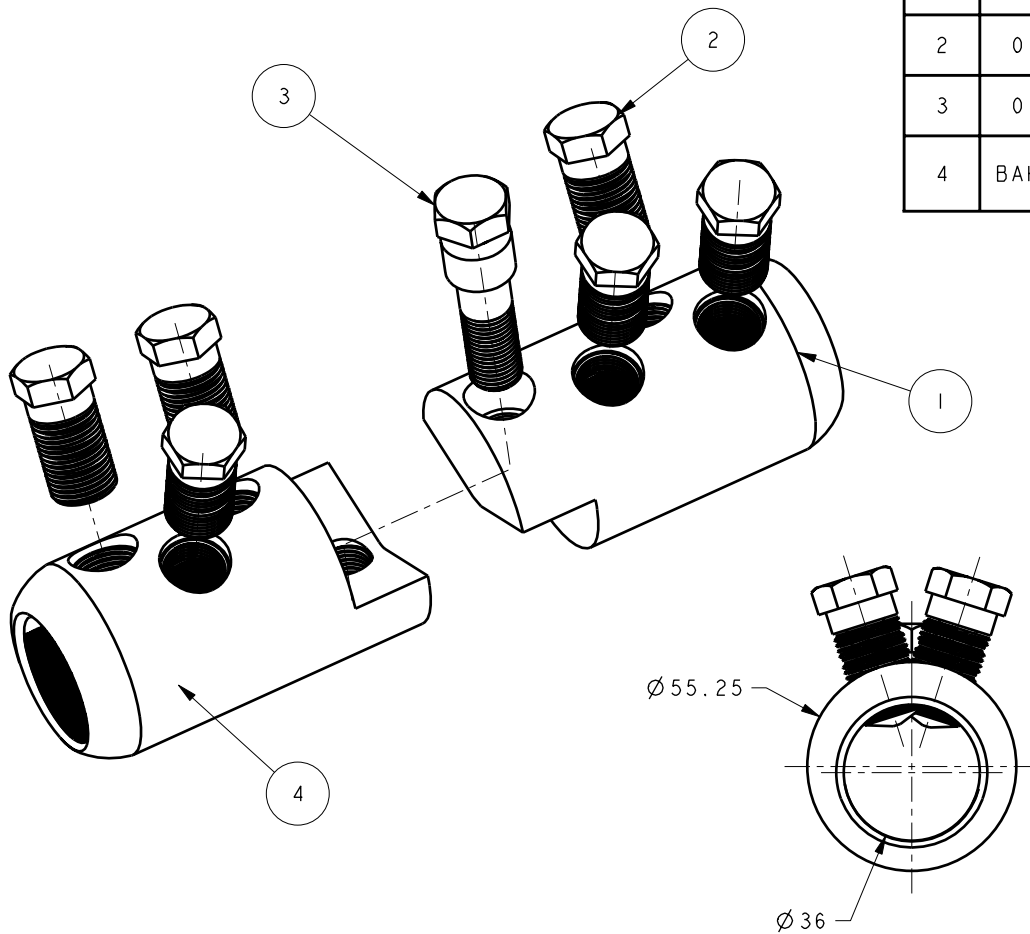


ITEM	PART/DRG NO	QTY	DESCRIPTION
1	01-211-0076	1	33kV COPPER STRAIGHT VEE TYPE CONNECTOR BODY - 55.25 O/D 36.0 I/D (TAPERED ENDED) COUNTERBORED HALF
2	01-701-0010	6	M18x1.5 19 A/F 41.0 LONG BRASS MULTI-SHEAR BOLT
3	01-702-0016	1	M14x1.5 19 A/F 63.95 LONG BRASS MID-BOLT
4	BAH-012110080	1	33kV COPPER STRAIGHT VEE TYPE CONNECTOR BODY - 55.25 O/D 36.0 I/D (TAPERED ENDED) THREADED HALF



Revision	Description	Name/DMR	Date
G	UPDATED PICTORIALY (DUE TO BOLT SEQUENCE CHANGE)	BH-00514	29/09/08
F	MID-BOLT MATERIAL REVISED	S.P.W	17.6.02
E	PART No WAS VTPC36UTB, DRG No WAS S17-CO2-A01	S.P.W	18.1.02
D	MID-BOLT REVISED	S.P.W	30.1.01
C	CONNECTOR BODY & ASSY PART No'S REVISED	S.P.W	24.8.00
B	MID-BOLT REVISED, DRG No WAS 0165-AS1	S.P.W	92.00
A	FIRST ISSUE	S.P.W	23.8.99



Tyco Electronics UK Ltd, Freebournes Road,
Witham, Essex, CM8 3AH, UK
Tel: +44 870 870 7500 Fax: +44 870 240 5289

Material	VARIES
Finish	VARIES
Tolerances (UOS)	-
B&H Short Desc.	VTPC36UTB

- IF IN DOUBT ASK - DO NOT SCALE -	
Part Description	33kV COPPER STRAIGHT VEE TYPE CONNECTOR 55.25 O/D 36.0 I/D (TAPERED ENDED)

Design/Drawn	S.P.WEST	Date	06-Jun-03	Scale (UOS)	1:2	 THIRD ANGLE PROJECTION	A4
PCN/RPN No	973448-000	Checked/Approved by					
Drawing/Part No	BAH-022110055	Drawing Type	ASSEMBLY/CUSTOMER		Rev	G	

REMOVE ALL BURRS AND SHARP EDGES - SURFACES TO BE FREE FROM SCRATCHES AND DEFECTS - ALL THREADS TO BS3643 PT 2

© 2008 TYCO ELECTRONICS UK LTD, WITHAM, UK