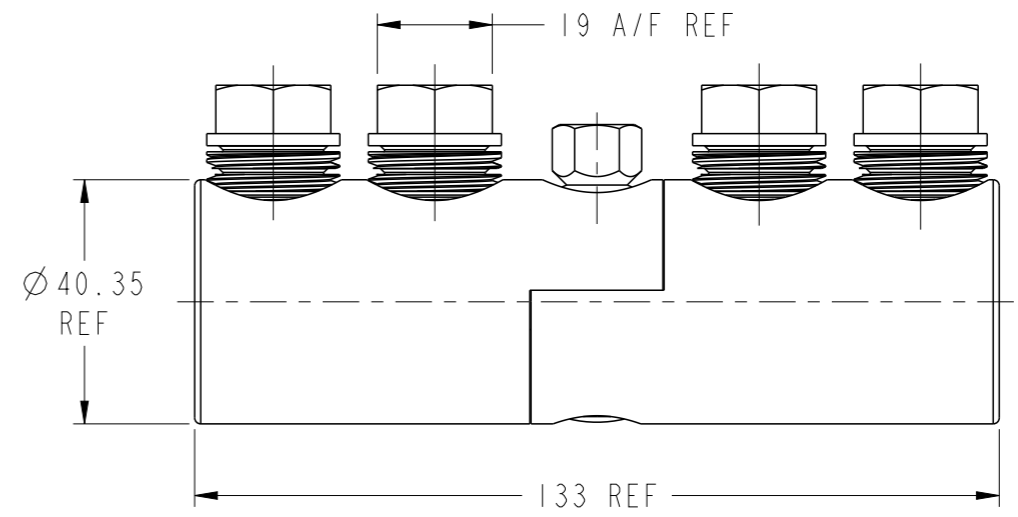
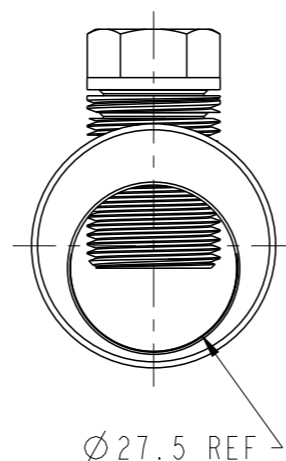
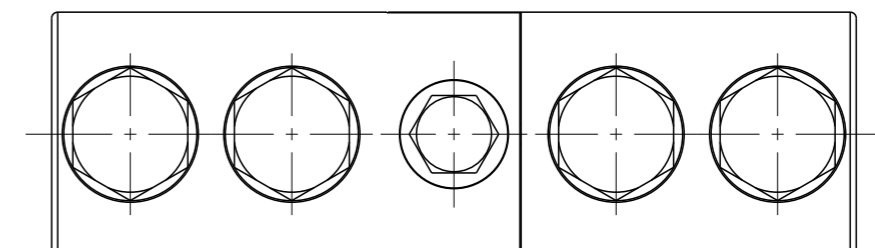
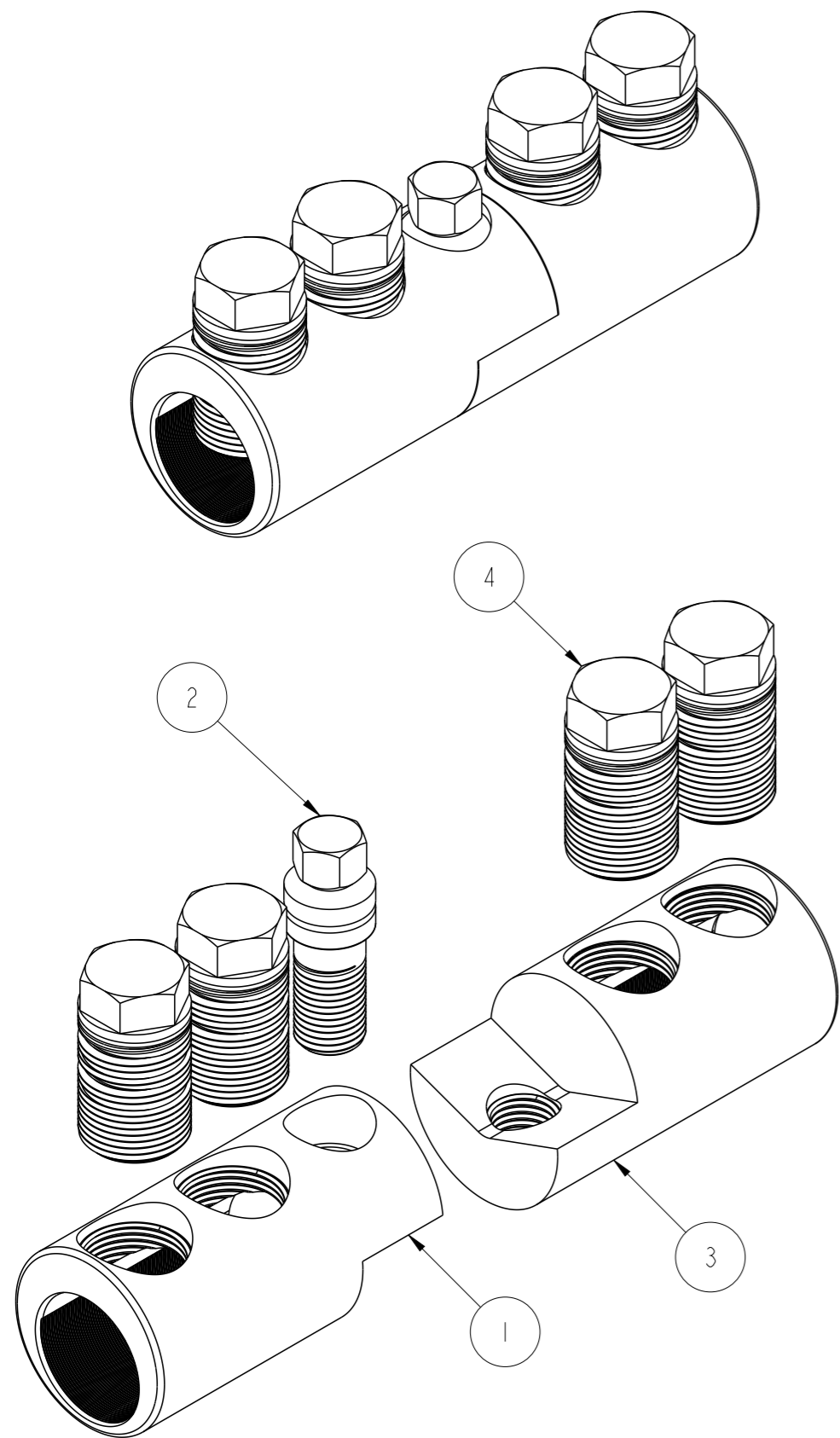


P	LTR	DESCRIPTION	DATE	DWN	APVD
B		MID-BOLT REVISED	25JAN2001	SPW	
C		PART No WAS SVA27(ASS), DRAWING No WAS S05-A03-A02	19OCT2001	SPW	
D		'ITEM 3' WAS 01-701-0036	10SEP2004	DME	
E		HEX BOLT HEAD REDUCED AS PER ECR	27OCT2020	BJ	BM



ITEM	PART/DRG NO	QTY	DESCRIPTION
1	248576-000	1	11kV ALUMINIUM STRAIGHT VEE CONNECTOR BODY GENERAL SERVICE - 40.35 O/D 27.5 I/D - COUNTERBORED HALF
2	306774-000	1	9/16"BSF 12.8 A/F 49.2 LONG ALUMINIUM MID-BOLT
3	527040-000	1	11kV ALUMINIUM STRAIGHT VEE CONNECTOR BODY GENERAL SERVICE - 40.35 O/D 27.5 I/D - THREADED HALF
4	886766-000	4	M22x1.5 19 A/F 39.5 LONG BRASS MULTI-SHEAR BOLT

NOTES:

1. REMOVE ALL BURRS AND SHARP EDGES.
2. SURFACES TO BE FREE FROM SCRATCHES AND DEFECTS.
3. ALL THREADS TO BE BS3643 PT 2.

B&H SHORT DESCRIPTION: SVA27UTB

THIS DRAWING IS A CONTROLLED DOCUMENT.		DWN S.P.WEST	31MAR2000		
DIMENSIONS: mm		CHK -	APVD -		
TOLERANCES UNLESS OTHERWISE SPECIFIED:		PRODUCT SPEC -		NAME 11kV ALUMINIUM STRAIGHT VEE CONNECTOR GENERAL SERVICE - 40.35 O/D 27.5 I/D	
0 PLC ±		APPLICATION SPEC -		SIZE A3	CAGE CODE 00779
1 PLC ±		WEIGHT -		DRAWING NO G-BAH-022080018	RESTRICTED TO -
2 PLC ±		CUSTOMER DRAWING		SCALE NTS	SHEET 1 OF 1
3 PLC ±					REV E
4 PLC ±					
ANGLES ±					
FINISH -					