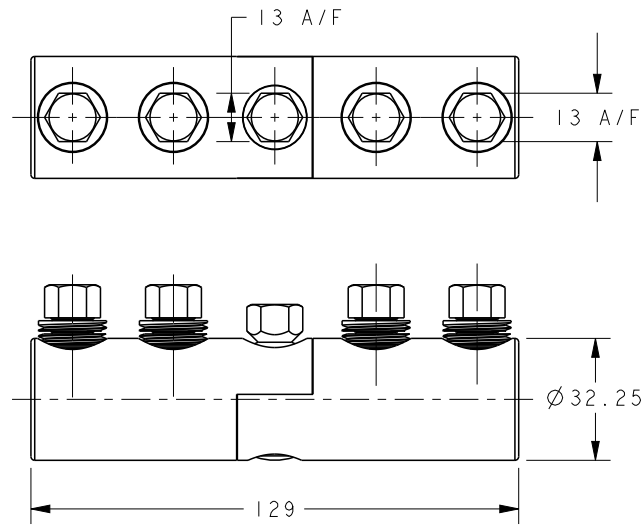
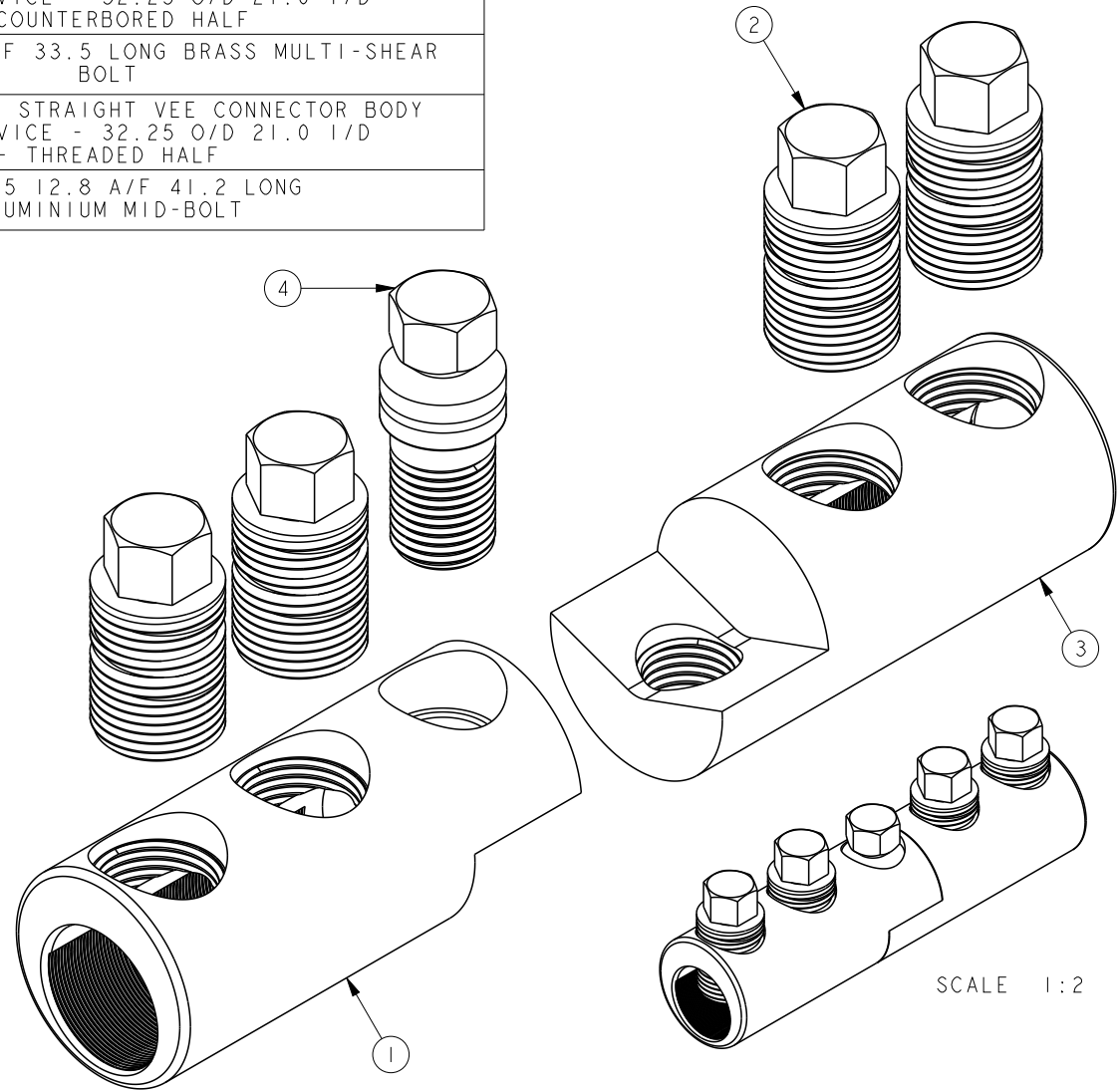
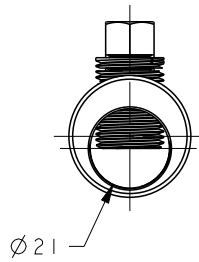


ITEM	PART/DRG NO	TCPN DESCRIPTION	QTY	DESCRIPTION
1	130808-000	BAH-012080031	1	11kV ALUMINIUM STRAIGHT VEE CONNECTOR BODY GENERAL SERVICE - 32.25 O/D 21.0 I/D - COUNTERBORED HALF
2	494030-000	BAH-017010014	4	M18x1.5 12.8 A/F 33.5 LONG BRASS MULTI-SHEAR BOLT
3	512950-000	BAH-012080030	1	11kV ALUMINIUM STRAIGHT VEE CONNECTOR BODY GENERAL SERVICE - 32.25 O/D 21.0 I/D - THREADED HALF
4	953504-000	BAH-017020004	1	M14x1.5 12.8 A/F 41.2 LONG ALUMINIUM MID-BOLT



SCALE 1:2



SCALE 1:2

E	HEX BOLT HEAD REDUCED AS PER ECR	BJ	10NOV2020
D	ITEM 3 PART/DRG No CORRECTED WAS 01-701-0035	D M E	01/09/04
C	PART No WAS SVA21(ASS), DRG No WAS S05-A03-A01	S.P.W	19.10.01
B	MID-BOLT REVISED	S.P.W	25.01.01
A	FIRST ISSUE	S.P.W	31.03.00
Revision	Description	Name/ECN	Date

Design/Drawn	S.P.WEST	Date	31 MAR 2000	Scale (UOS)	1:3	 THIRD ANGLE PROJECTION	A4
TCPN	429886-000	Part Weight					
Drawing/Part No	BAH-022080012	Drawing Type	ASSEMBLY/CUSTOMER		Rev	E	



Material	VARIABLES	VARIES
Finish	VARIABLES	VARIES
Tolerances (UOS)		±
B&H Short Desc.		SVA21UTB

- IF IN DOUBT ASK - DO NOT SCALE -
Part Description
11kV ALUMINIUM STRAIGHT VEE CONNECTOR ASSEMBLY
GENERAL SERVICE - 32.25 O/D 21.0 I/D
c/w 1 MID BOLT & 4 MULTI SHEAR BOLTS

REMOVE ALL BURRS AND SHARP EDGES - SURFACES TO BE FREE FROM SCRATCHES AND DEFECTS - ALL THREADS TO BS3643 PT 2

© 2017 TYCO ELECTRONICS UK LTD, WITHAM, UK