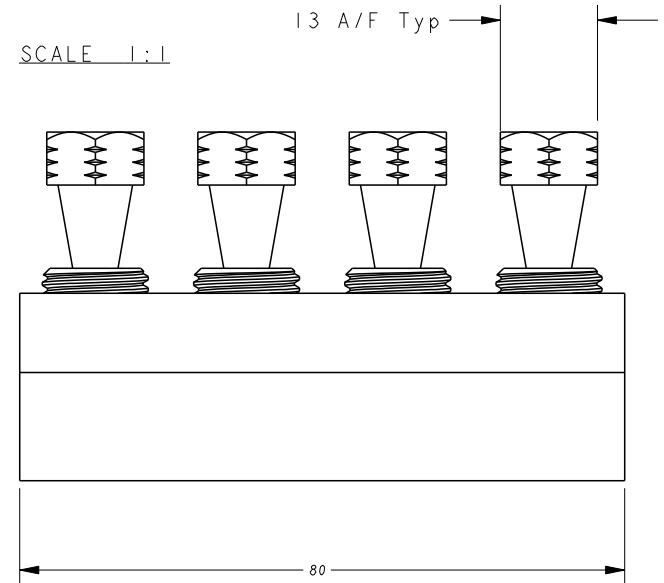
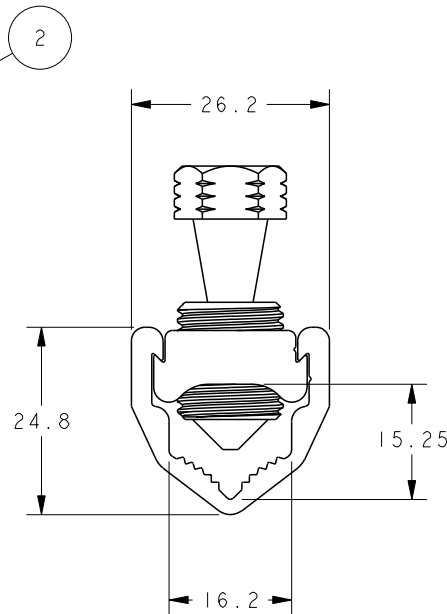
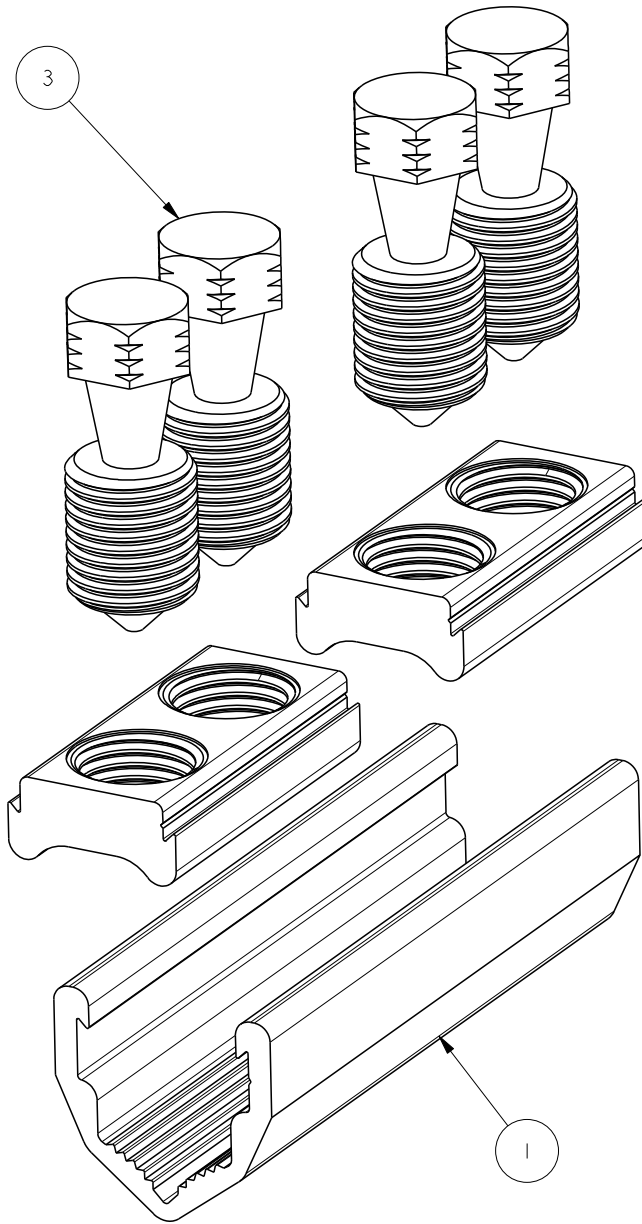


ITEM	PART/DRG NO	QTY	DESCRIPTION
1	01-202-0006	1	UNIVERSAL 95mm ² STRAIGHT BOTTOM INSERT (4 BOLT)
2	01-710-0019	2	UNIVERSAL 95mm ² TOP INSERT (2 BOLT)
3	BAH-017000152	4	M14x1.5 13 A/F 37.5 LONG ALUMINIUM SINGLE-SHEAR FLAT TIP BOLT



F	BAH-017000152 REPLACED BAH-017000056	BH-01100	29/06/15
E	TITLE BLOCK REVISED, B&H SHORT DESCRIPTION ADDED	S.P.W	25.9.02
D	PART No WAS UST95-2, DRG No WAS S02-A00-A01	S.P.W	23.8.01
C	EXTRUSION REVISED, ITEM 1 & 2	S.P.W	1.3.01
B	PART No REVISED	S.P.W	26.6.00
A	FIRST ISSUE	S.P.W	55.00
Revision	Description	Name/DMR	Date



Material	VARIES
Finish	NATURAL
Tolerances (UOS)	-
B&H Short Desc.	UST095

- IF IN DOUBT ASK - DO NOT SCALE -
 Part Description
**UNIVERSAL 95mm² STRAIGHT CONNECTOR
 (2 PIECE TOP INSERT)**

Design/Drawn	S.P.WEST	Date	05-MAY-00	Scale (UOS)	5:4	 THIRD ANGLE PROJECTION	A4
TCPN	249986-000	Part Weight	100.39g				
Drawing/Part No	BAH-022020001	Drawing Type	CUSTOMER	Rev	F		