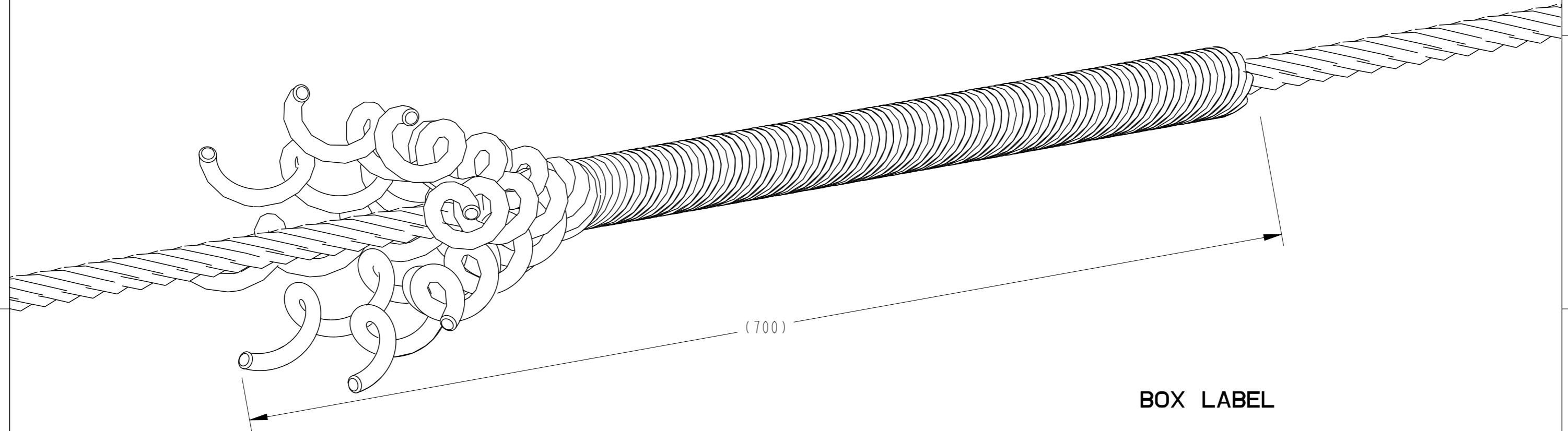




CATALOGUE NUMBER: NGA0410-0440 SUITS CONDUCTOR

ARMOUR RODS

STRANDING	COND. TYPE	DIAMETER	FITTING LAY
3/2.00	SC/GZ	4.31	RIGHT HAND
3/14	SC/GZ	4.38	RIGHT HAND



TECHNICAL SPECIFICATIONS;

CATALOGUE NUMBER: NGA0410-0440
 DESCRIPTION: NON-TENSION GALVANISED STEEL ARMOUR RODS (NGA) FITTING
 MATERIAL: HEAVILY GALVANISED STEEL
 NUMBER OF RODS: 8
 ROD DIAMETER: 2.03mm
 OVERAL LENGTH: 700mm
 END FINISH: CHAMFERED
 FITTING LAY DIRECTION: RIGHT HAND
 COLOUR CODED: YELLOW
 RODS ARE LABELED, BUNDLED IN A SET AND TAPED AT BOTH ENDS.

BOX LABEL

P/N: NGA0410-0440	
ID:	
DESCRIPTION:	
NON-TENSION GALVANISED STEEL ARMOUR RODS (NGA) FITTING	
3/2.00 SC/GZ	
3/14 SC/GZ	
RANGE: 4.10 - 4.40	
COLOUR-CODE: YELLOW	
QTY: 50	WEIGHT: ----- BATCH: -----

PRODUCT LABEL

NGA0410-0440	WEIGHT: 0.14kg
3/2.00 SC/GZ	BATCH NO: -----
3/14 SC/GZ	MONTH/YEAR: -----

LOC								IMPLIED NOTES BURRS AND SHARP EDGES REMOVED SCREW THREADS ARE TO AS 1275 DO NOT WORK TO DIMS MARKED REF SURFACE FINISH 6.3 U.N.O. DIMS ARE IN mm. DO NOT SCALE	IMPLIED TOLERANCES HOLE DIA AND LOCATIONS: ±0.5mm. DIMENSIONS UP TO 30mm: ±1.5mm. DIMENSIONS OVER 30mm: ±5% UP TO A MAX OF: ±5mm. ANGULAR DIMENSIONS: ±5°	TCPN -	PART Alias UTX/DUL NGA0410-0440	TITLE NON-TENSION GALVANISED STEEL ARMOUR RODS (NGA) FITTING COND. RANGE: Ø 4.10-Ø 4.40 3/2.00 SC/GZ 3/14 SC/GZ				
DIST	—	I	NEW RELEASE	06-05-2013	RN	AT	MATERIAL DESC HEAVILY GALVANISED STEEL	MATERIAL NO -	MATL SPEC/STD/DRG NO -	PROCESS SPEC HEAT TREAT/PLATING NO -	Cat No NGA0410-0440	DRAWN RN	DATE 06-05-2013		TE Connectivity 2/3 Corella Close Berkeley Vale NSW 2261 Australia	
POS	REV	REVISION RECORD		DATE	DWN	APVD	MATERIAL NO -	MATL SPEC/STD/DRG NO -	PROCESS SPEC HEAT TREAT/PLATING NO -	SIZE A3	PROJECTION 3RD ANGLE	SCALE 1:60	DRAWING NO NGA0410-0440-C	SHEET 1	OF 1	REV 1