



RAYCHEM CABLE CLAMPS

Quick Reference Guide

WHAT MAKES RAYCHEM CABLE CLAMPS THE INDUSTRY LEADER?

Integral stainless steel clamping plates to ensure consistent clamping pressure on both sides.

Range taking elastomeric inserts, minimize stock holdings, yet maximize performance

Range accepts cable diameters from 26 - 106mm (more coming soon)

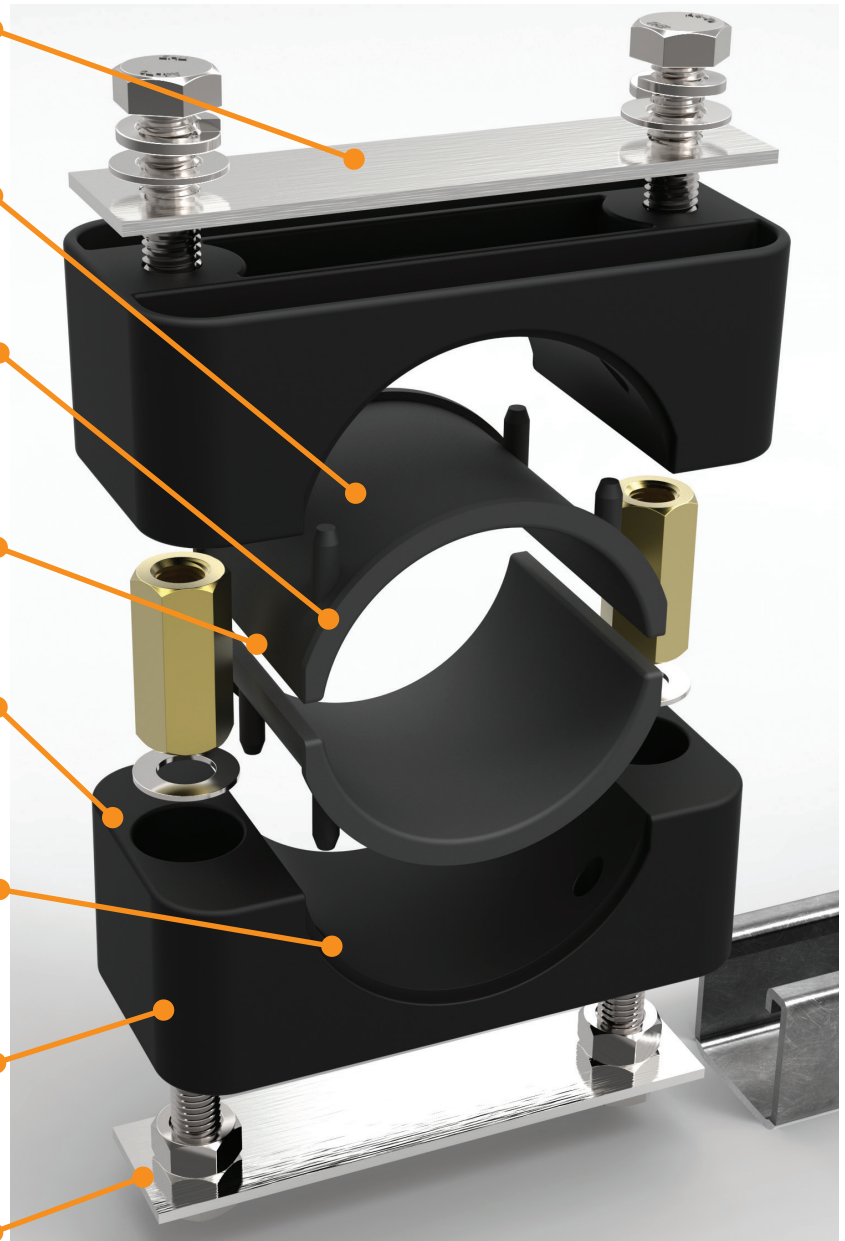
Elastomeric inserts can accommodate round, oval or "tri-round" cable profiles

Bottom half of clamps can be mounted, prior to cable fitment

Can be used without inserts in an emergency, to increase the clamping range

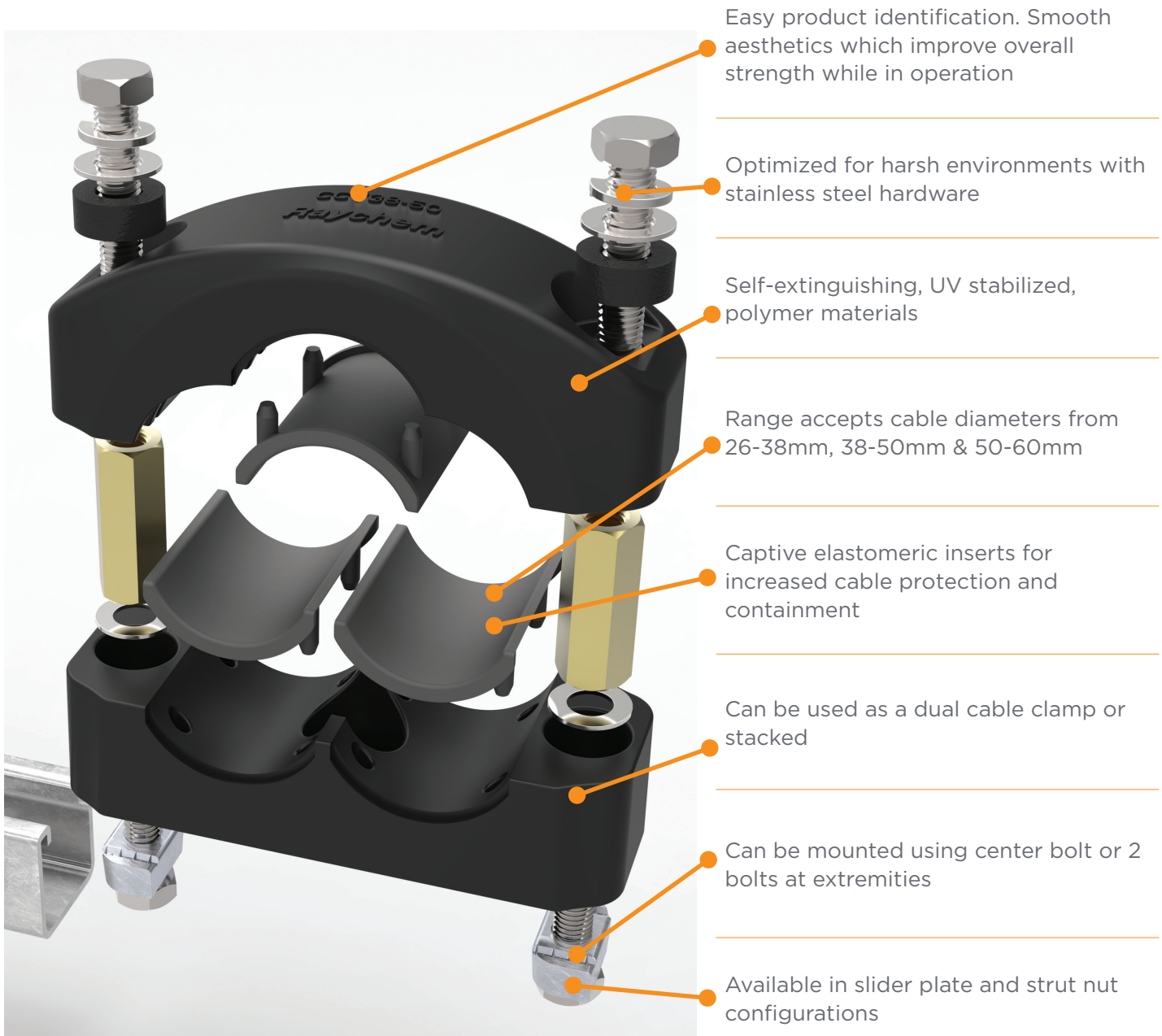
Impact resistant, Halogen free, UV Stabilized materials

Patented slider plate design, maximizes clamp performance, when under shock load



Designed and independently tested to meet all requirements of IEC61914

Raychem cable clamps have a patented design which optimizes clamping force at both the attachment point, and the cable by securing each clamp half separately. Cables can be aligned and located in the bottom half of the clamp prior to final tightening.

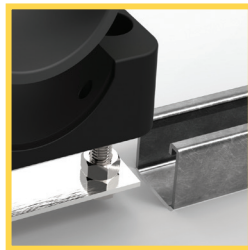
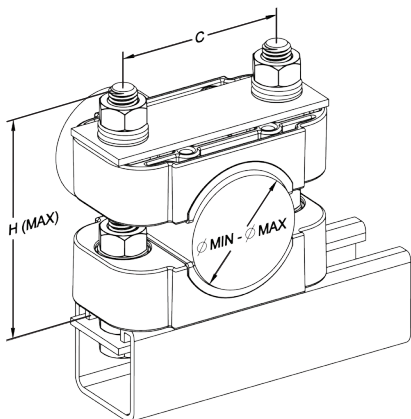


PRODUCT SELECTION GUIDE

SINGLE LEVEL CLAMPS

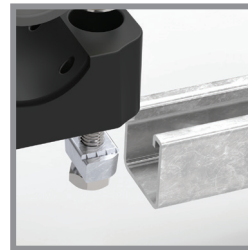
TE Part No	Min Cable Ø mm (Inch)	Max Cable Ø mm (Inch)	Bolt Hole Ctrs C mm (Inch)	Installed Height H - Max mm (Inch)	Bolt Ø	Type
CC26-38-SN-M12	26 (1.02)	38 (1.5)	60 (2.36)	75 (2.95)	M12	Strut Nut
CC26-38-FM-M12	26 (1.02)	38 (1.5)	60 (2.36)	75 (2.95)	M12	Flat Mount
CC38-50-PL-M12	38 (1.5)	50 (1.97)	75 (2.95)	100 (3.94)	M12	Slider Plate
CC38-50-SN-M12	38 (1.5)	50 (1.97)	75 (2.95)	100 (3.94)	M12	Strut Nut
CC38-50-FM-M12	38 (1.5)	50 (1.97)	75 (2.95)	100 (3.94)	M12	Flat Mount
CC50-60-PL-M12	50 (1.97)	60 (2.36)	100 (3.94)	116 (4.57)	M12	Slider Plate
CC50-60-SN-M12	50 (1.97)	60 (2.36)	100 (3.94)	130 (5.12)	M12	Strut Nut
CC50-60-FM-M12	50 (1.97)	60 (2.36)	100 (3.94)	130 (5.12)	M12	Flat Mount
CC60-70-PL-M12	60 (2.36)	70 (2.76)	114 (4.49)	130 (5.12)	M12	Slider Plate
CC60-70-SN-M12	60 (2.36)	70 (2.76)	114 (4.49)	130 (5.12)	M12	Strut Nut
CC60-70-FM-M12	60 (2.36)	70 (2.76)	114 (4.49)	130 (5.12)	M12	Flat Mount
CC68-81-PL-M12	68 (2.68)	81 (3.19)	114 (4.49)	130 (5.12)	M12	Slider Plate
CC68-81-SN-M12	68 (2.68)	81 (3.19)	114 (4.49)	130 (5.12)	M12	Strut Nut
CC68-81-FM-M12	68 (2.68)	81 (3.19)	114 (4.49)	130 (5.12)	M12	Flat Mount
CC80-92-PL-M12	80 (3.15)	92 (3.62)	142 (5.59)	155 (6.1)	M12	Slider Plate
CC80-92-SN-M12	80 (3.15)	92 (3.62)	142 (5.59)	155 (6.1)	M12	Strut Nut
CC80-92-FM-M12	80 (3.15)	92 (3.62)	142 (5.59)	155 (6.1)	M12	Flat Mount
CC92-106-PL-M12	92 (3.62)	106 (4.17)	142 (5.59)	155 (6.1)	M12	Slider Plate
CC92-106-SN-M12	92 (3.62)	106 (4.17)	142 (5.59)	155 (6.1)	M12	Strut Nut
CC92-106-FM-M12	92 (3.62)	106 (4.17)	142 (5.59)	155 (6.1)	M12	Flat Mount

All cable clamps are also available without hardware, please contact TE for more information



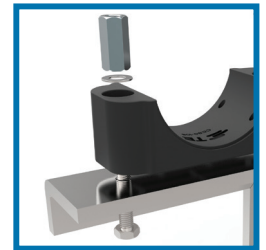
Slider Plate Version

Used where access to the end of the mounting rail is achievable



Strut Nut Version

Used where access to the end of the mounting rail is not possible



Flat Mount Version

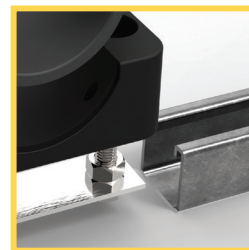
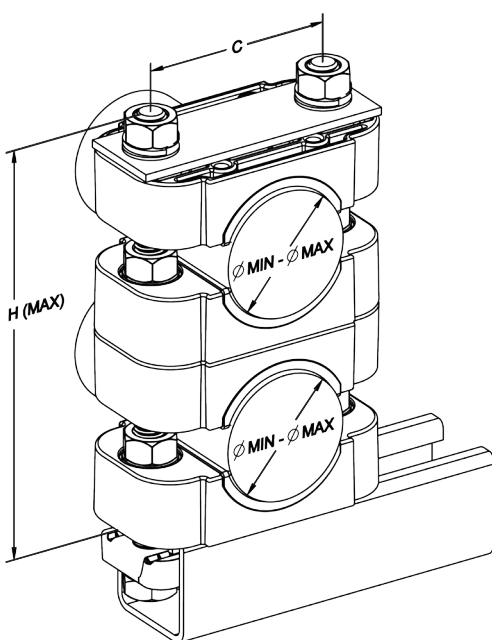
Used when installing on a mounting plate

PRODUCT SELECTION GUIDE

DOUBLE STACKED CLAMPS

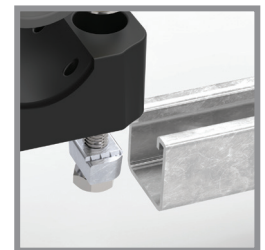
TE Part No	Min Cable Ø mm (Inch)	Max Cable Ø mm (Inch)	Bolt Hole Ctrs C mm (Inch)	Installed Height H - Max mm (Inch)	Bolt Ø	Type
CC38-50-PL-M12-DOUB	38 (1.5)	50 (1.97)	75 (2.95)	170 (6.69)	M12	Slider Plate
CC38-50-SN-M12-DOUB	38 (1.5)	50 (1.97)	75 (2.95)	170 (6.69)	M12	Strut Nut
CC50-60-PL-M12-DOUB	50 (1.97)	60 (2.36)	100 (3.94)	215 (8.47)	M12	Slider Plate
CC50-60-SN-M12-DOUB	50 (1.97)	60 (2.36)	100 (3.94)	215 (8.47)	M12	Strut Nut
CC60-70-PL-M12-DOUB	60 (2.36)	70 (2.76)	114 (4.49)	250 (9.84)	M12	Slider Plate
CC60-70-SN-M12-DOUB	60 (2.36)	70 (2.76)	114 (4.49)	250 (9.84)	M12	Strut Nut
CC68-81-PL-M12-DOUB	68 (2.68)	81 (3.19)	114 (4.49)	250 (9.84)	M12	Slider Plate
CC68-81-SN-M12-DOUB	68 (2.68)	81 (3.19)	114 (4.49)	250 (9.84)	M12	Strut Nut
CC80-92-PL-M12-DOUB	80 (3.15)	92 (3.62)	142 (5.59)	295 (11.61)	M12	Slider Plate
CC80-92-SN-M12-DOUB	80 (3.15)	92 (3.62)	142 (5.59)	295 (11.61)	M12	Strut Nut
CC92-106-PL-M12-DOUB	92 (3.62)	106 (4.17)	142 (5.59)	295 (11.61)	M12	Slider Plate
CC92-106-SN-M12-DOUB	92 (3.62)	106 (4.17)	142 (5.59)	295 (11.61)	M12	Strut Nut

All cable clamps are also available without hardware, please contact TE for more information



Slider Plate Version

Used where access to the end of the mounting rail is achievable



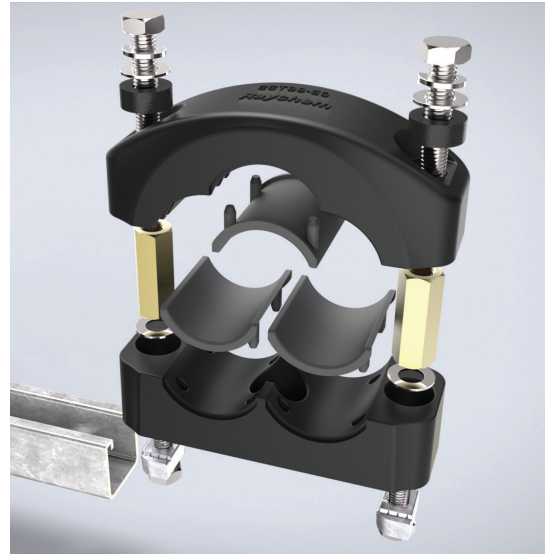
Strut Nut Version

Used where access to the end of the mounting rail is not possible

TREFOIL CABLE CLAMPS

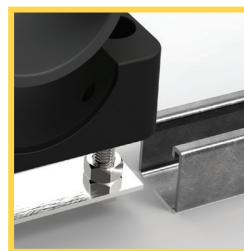
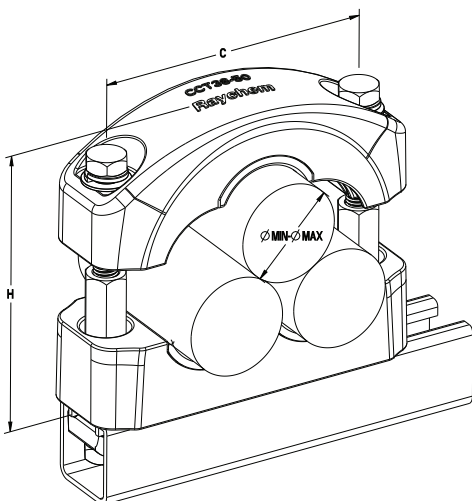
Features:

- Range accepts cable diameters from 26-38mm, 38-50mm & 50-60mm
- Can be mounted using center bolt or 2 bolts at extremities
- Can be stacked
- Available in slider plate and strut nut configurations.
- Superior clamping performance
- Captive elastomeric inserts for increased cable protection and containment
- Optimized for harsh environments with stainless steel hardware and self-extinguishing polymer materials
- Smooth aesthetics which improve overall strength while in operation
- Easy product identification



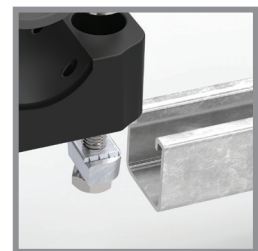
TE Part No	Min Cable Ø mm (Inch)	Max Cable Ø mm (Inch)	Bolt Hole Ctrs C mm (Inch)	Installed Height H - Max mm (Inch)	Bolt Ø	Type
CCT26-38-SN-M12	26 (1.02)	38 (1.5)	100 (3.94)	116 (4.57)	M12	Strut Nut
CCT26-38-PL-M12	26 (1.02)	38 (1.5)	100 (3.94)	116 (4.57)	M12	Slider Plate
CCT38-50-SN-M12	38 (1.5)	50 (1.97)	138 (5.43)	145 (5.71)	M12	Strut Nut
CCT38-50-PL-M12	38 (1.5)	50 (1.97)	138 (5.43)	145 (5.71)	M12	Slider Plate
CCT50-60-SN-M12	50 (1.97)	60 (2.36)	160 (6.3)	164 (6.46)	M12	Strut Nut
CCT50-60-PL-M12	50 (1.97)	60 (2.36)	160 (6.3)	164 (6.46)	M12	Slider Plate

All cable clamps are also available without hardware, please contact TE for more information



Slider Plate Version

Used where access to the end of the mounting rail is achievable



Strut Nut Version

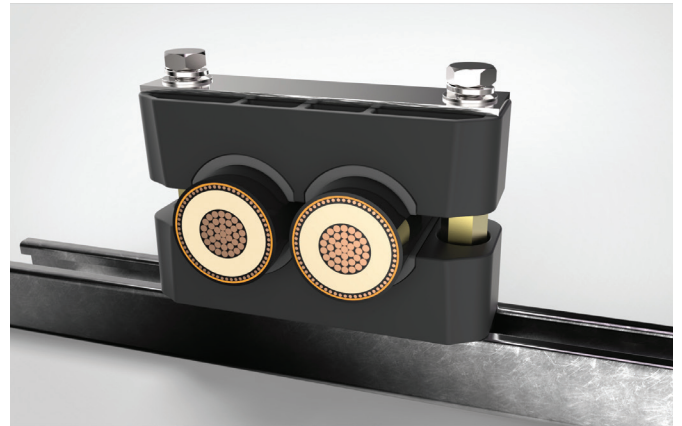
Used where access to the end of the mounting rail is not possible

RAYCHEM CABLE CLAMPS ARE AVAILABLE FOR ALL APPLICATIONS

Stacking is possible for Single and Trefoil cable clamps, furthermore, TE Connectivity's in house design team is on hand to produce tailor made schematics and specify technical details for custom cable clamp layouts that suit your specific needs. Please contact your local TE Connectivity Energy Representative for more details.



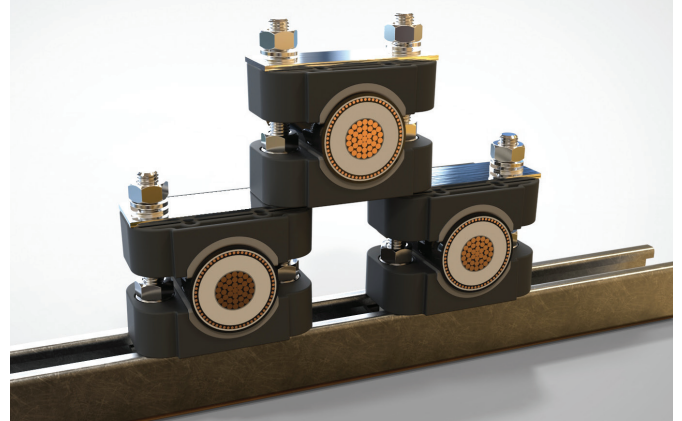
Stacked dual application



Dual cable application



3 x 3 configuration



Pyramid installation



3 Phase pad mount kit
TAP10910 - Ø 26-38mm



Double stacked trefoil application

TE Connectivity (NYSE: TEL) is a \$14 billion global technology leader. Our connectivity and sensor solutions are essential in today's increasingly connected world. We collaborate with engineers to transform their concepts into creations – redefining what's possible using intelligent, efficient and high-performing TE products and solutions proven in harsh environments. Our 80,000 people, including 7,500 design engineers, partner with customers in over 150 countries across a wide range of industries. We believe EVERY CONNECTION COUNTS – te.com.

Markets

- Mining
- Nuclear
- Petrochemical
- Rail
- Windfarm
- Solar
- Hydroelectric

Applications

- Overhead Distribution
- Street Lighting
- Substations
- Transmission
- Underground Distribution

WHEREVER ELECTRICITY FLOWS, YOU'LL FIND TE ENERGY



te.com/energy

TE Customer Support Centres

USA:	+1 800 327 6996
NSW/QLD/NT/ACT:	+61 (2) 9554 2695
VIC/TAS/SA:	+61 (3) 9271 5243
WA:	+61 (8) 9358 7806
New Zealand:	+64 (9) 634 4580

te.com

Raychem, TE Connectivity, TE Connectivity (logo) and Every Connection Counts are trademarks. All other logos, products and/or company names referred to herein might be trademarks of their respective owners.

The information given herein, including drawings, illustrations and schematics which are intended for illustration purposes only, is believed to be reliable. However, TE Connectivity makes no warranties as to its accuracy or completeness and disclaims any liability in connection with its use. TE Connectivity's obligations shall only be as set forth in TE Connectivity's Standard Terms and Conditions of Sale for this product and in no case will TE Connectivity be liable for any incidental, indirect or consequential damages arising out of the sale, resale, use or misuse of the product. Users of TE Connectivity products should make their own evaluation to determine the suitability of each such product for the specific application.

© 2015 TE Connectivity Ltd. family of companies All Rights Reserved.

EPP-2211-US-9/15

RAYCHEM CABLE CLAMPS

TE Connectivity Energy

Unit 2 3 Corella Close
Berkeley Vale NSW Australia
Tel +61 2 4389 6000

www.te.com

TE CONNECTIVITY AUSTRALIA PTY LTD