

RAYCHEM CABLE CLAMPS SINGLE

KEY FEATURES

- Range accepts cable diameters from 26-106mm
- Can be mounted using center bolt or 2 bolts at extremities
- Can be stacked
- Captive elastomeric inserts for increased cable protection and containment
- Patented slider plate design maximizes clamp performance when under shock load

Raychem cable clamps have been designed such that the bottom half of the cable clamp can be mounted in position before positioning the cables. The cables can then be aligned and located in the bottom half of the clamp prior to tightening. Other clamps require the cables to be positioned at the same time as the clamp itself, which is difficult to achieve, especially in vertical applications.

Elastomeric inserts are provided with all clamps. This ensures excellent mechanical performance in particular under fault conditions. It also maximizes cable contact, even on “non-round” cables, as is the case on many 3 core cable designs which tend to be more “tri-round”.

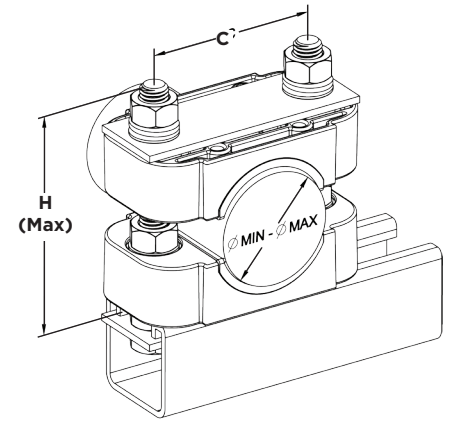
Raychem cable clamps are optimized for harsh environments with stainless steel hardware and self-extinguishing, UV stabilized materials.

Customers can count on consistent, high quality products, driven by TE's proven innovation and backed by our extraordinary customer support.

RAYCHEM SINGLE CABLE CLAMPS

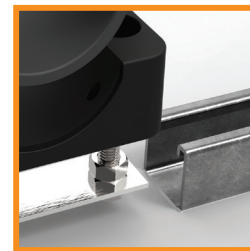


Raychem Single Cable Clamps are available as single clamps with or without hardware, and as a double stacked configuration. Furthermore, TE Connectivity's in-house design team is on hand to produce tailor made schematics and specify technical details for custom cable clamp layouts that suit your specific needs. Please contact your local TE Connectivity Representative for more details.

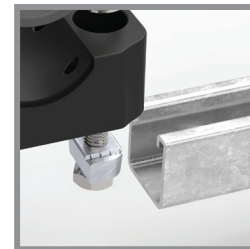


SINGLE LEVEL CLAMPS WITH HARDWARE ORDERING INFORMATION

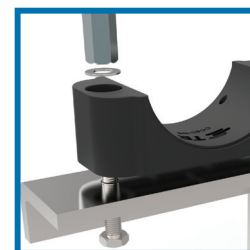
| TE Part Number | Min Cable Ø mm (in) | Max Cable Ø mm (in) | Bolt Hole Ctrs C mm (in) | Installed Height H - Max mm (in) | Bolt Ø | Type |
|-----------------|---------------------------|---------------------------|-----------------------------------|-------------------------------------------|--------|--------------|
| CC26-38-SN-M12 | 26 (1.02) | 38 (1.5) | 60 (2.36) | 75 (2.95) | M12 | Strut Nut |
| CC26-38-FM-M12 | 26 (1.02) | 38 (1.5) | 60 (2.36) | 75 (2.95) | M12 | Flat Mount |
| CC38-50-PL-M12 | 38 (1.5) | 50 (1.97) | 75 (2.95) | 100 (3.94) | M12 | Slider Plate |
| CC38-50-SN-M12 | 38 (1.5) | 50 (1.97) | 75 (2.95) | 100 (3.94) | M12 | Strut Nut |
| CC38-50-FM-M12 | 38 (1.5) | 50 (1.97) | 75 (2.95) | 100 (3.94) | M12 | Flat Mount |
| CC50-60-PL-M12 | 50 (1.97) | 60 (2.36) | 100 (3.94) | 116 (4.57) | M12 | Slider Plate |
| CC50-60-SN-M12 | 50 (1.97) | 60 (2.36) | 100 (3.94) | 130 (5.12) | M12 | Strut Nut |
| CC50-60-FM-M12 | 50 (1.97) | 60 (2.36) | 100 (3.94) | 130 (5.12) | M12 | Flat Mount |
| CC60-70-PL-M12 | 60 (2.36) | 70 (2.76) | 114 (4.49) | 130 (5.12) | M12 | Slider Plate |
| CC60-70-SN-M12 | 60 (2.36) | 70 (2.76) | 114 (4.49) | 130 (5.12) | M12 | Strut Nut |
| CC60-70-FM-M12 | 60 (2.36) | 70 (2.76) | 114 (4.49) | 130 (5.12) | M12 | Flat Mount |
| CC68-81-PL-M12 | 68 (2.68) | 81 (3.19) | 114 (4.49) | 130 (5.12) | M12 | Slider Plate |
| CC68-81-SN-M12 | 68 (2.68) | 81 (3.19) | 114 (4.49) | 130 (5.12) | M12 | Strut Nut |
| CC68-81-FM-M12 | 68 (2.68) | 81 (3.19) | 114 (4.49) | 130 (5.12) | M12 | Flat Mount |
| CC80-92-PL-M12 | 80 (3.15) | 92 (3.62) | 142 (5.59) | 155 (6.1) | M12 | Slider Plate |
| CC80-92-SN-M12 | 80 (3.15) | 92 (3.62) | 142 (5.59) | 155 (6.1) | M12 | Strut Nut |
| CC80-92-FM-M12 | 80 (3.15) | 92 (3.62) | 142 (5.59) | 155 (6.1) | M12 | Flat Mount |
| CC92-106-PL-M12 | 92 (3.62) | 106 (4.17) | 142 (5.59) | 155 (6.1) | M12 | Slider Plate |
| CC92-106-SN-M12 | 92 (3.62) | 106 (4.17) | 142 (5.59) | 155 (6.1) | M12 | Strut Nut |
| CC92-106-FM-M12 | 92 (3.62) | 106 (4.17) | 142 (5.59) | 155 (6.1) | M12 | Flat Mount |



SLIDER PLATE VERSION
Used where access to the end of the mounting rail is achievable



STRUT NUT VERSION
Used where access to the end of the mounting rail is not possible



FLAT MOUNT VERSION
Used when installing on a mounting plate

te.com/energy

©2015 TE Connectivity Ltd. family of companies. All Rights Reserved. EPP-2211-DDS05-10/15

Raychem, TE Connectivity and TE Connectivity (logo) are trademarks. Other logos, product and/or company names might be trademarks of their respective owners. While TE has made every reasonable effort to ensure the accuracy of the information in this brochure, TE does not guarantee that it is error-free, nor does TE make any other representation, warranty or guarantee that the information is accurate, correct, reliable or current. TE reserves the right to make any adjustments to the information contained herein at any time without notice. TE expressly disclaims all implied warranties regarding the information contained herein, including, but not limited to, any implied warranties of merchantability or fitness for a particular purpose. The dimensions in this catalog are for reference purposes only and are subject to change without notice. Specifications are subject to change without notice. Consult TE for the latest dimensions and design specifications.

FOR MORE INFORMATION: TE Customer Support Centers

| | |
|-----------------|-------------------|
| USA: | +1 800 327 6996 |
| NSW/QLD/NT/ACT: | +61 (2) 9554 2695 |
| VIC/TAS/SA: | +61 (3) 9271 5243 |
| WA: | +61 (8) 9358 7806 |
| New Zealand: | +64 (9) 634 4580 |