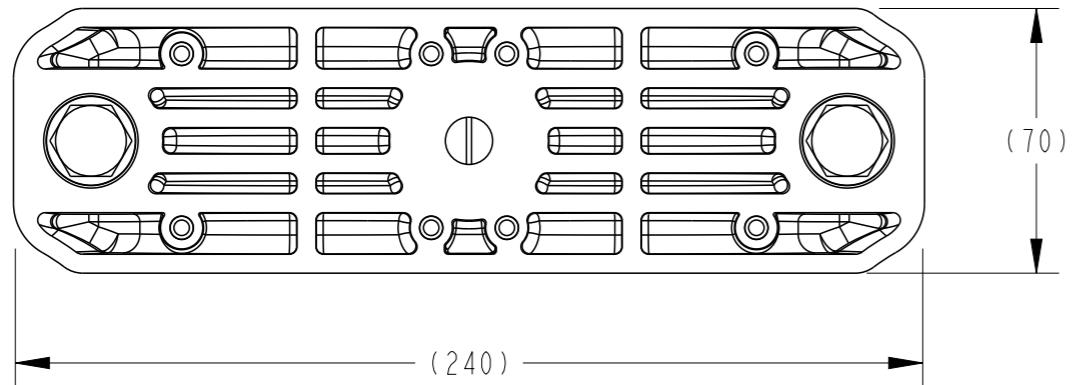
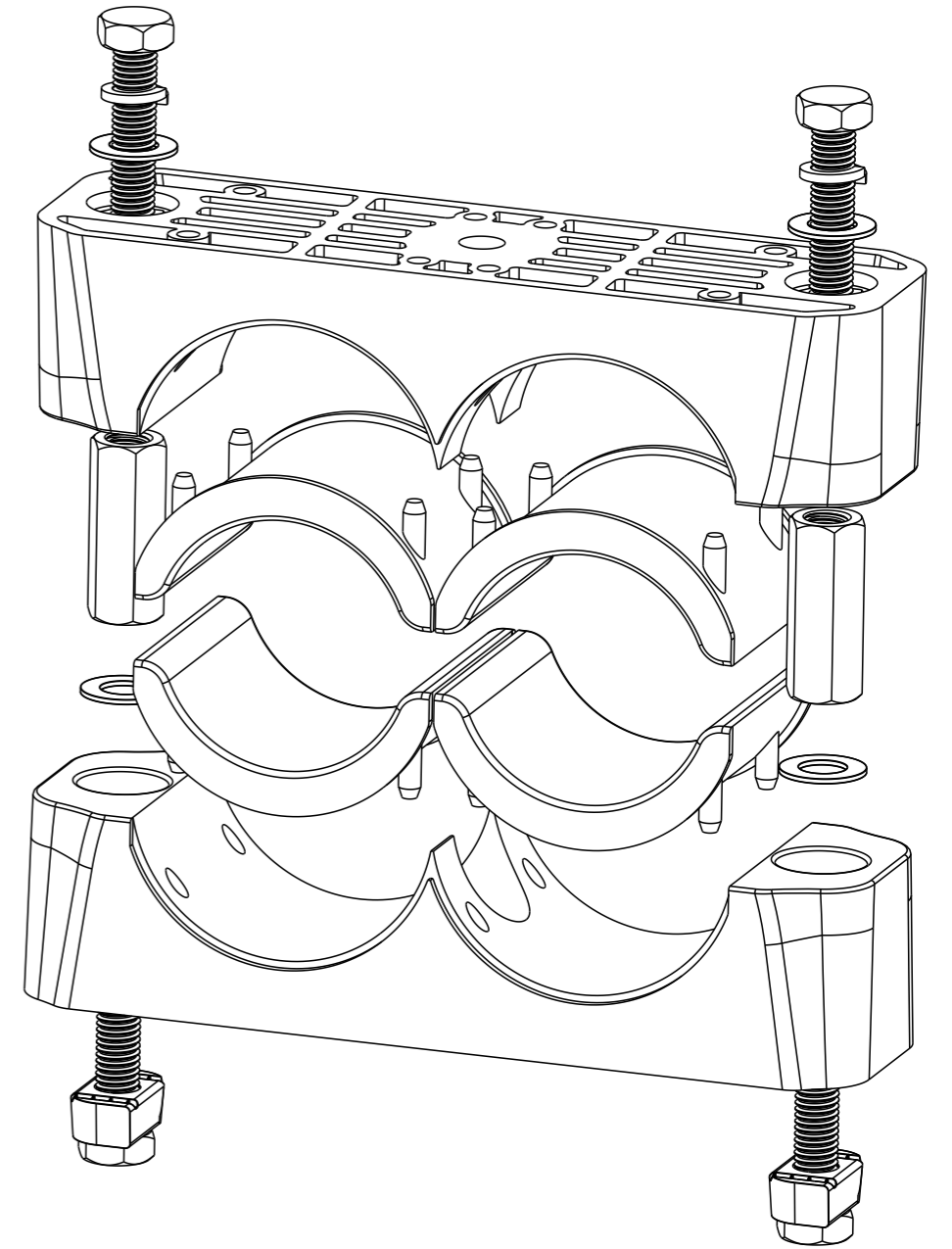
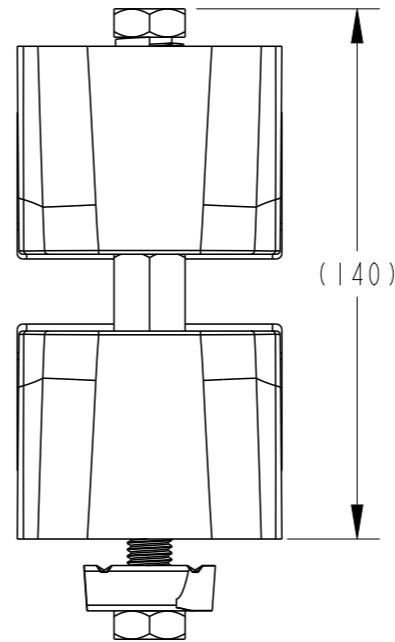
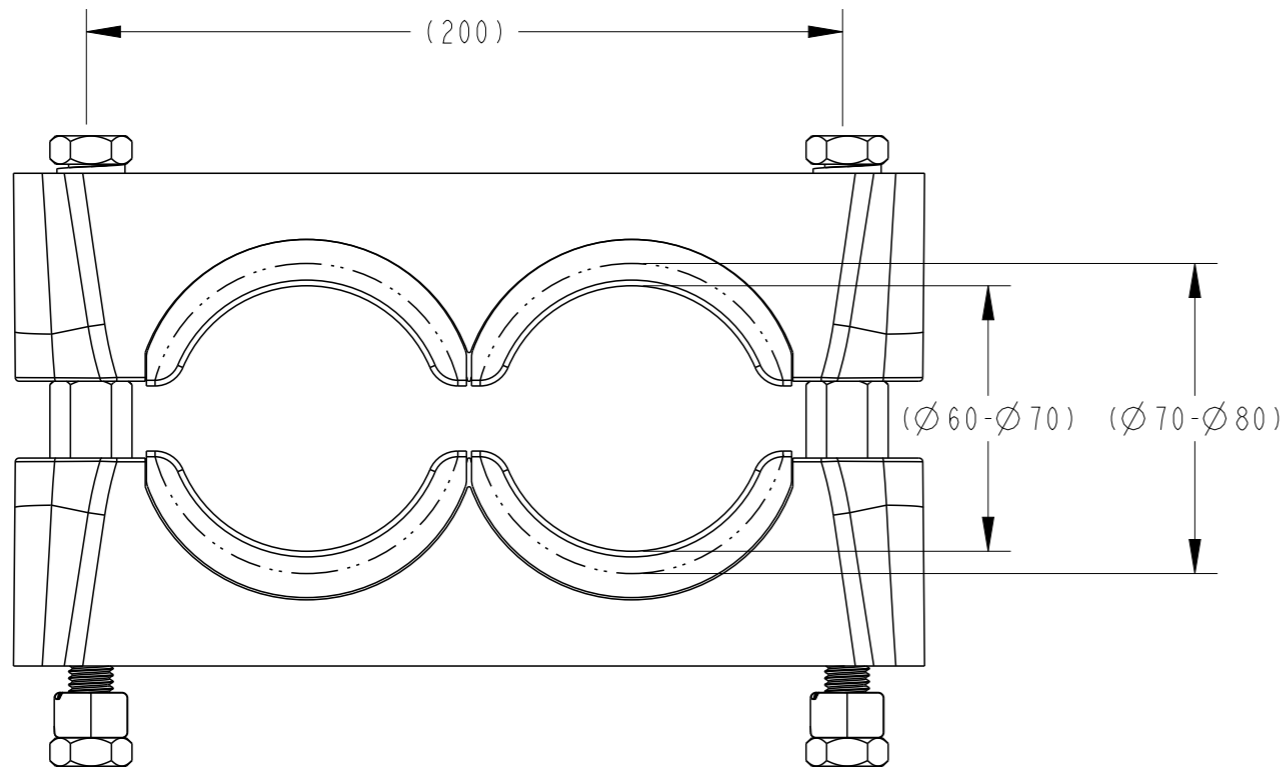


DRAWING NO. AU34698
THIS DRAWING IS A CONTROLLED DOCUMENT



PART No.	CATALOGUE No.
EJ2183-000	CCD60-70-SN-M12
EJ2184-000	CCD70-80-SN-M12



THIS INFORMATION IS CONFIDENTIAL AND PROPRIETARY TO TE CONNECTIVITY CORPORATION AND ITS WORLDWIDE SUBSIDIARIES AND AFFILIATES. IT MAY NOT BE DISCLOSED TO ANYONE, OTHER THAN TE CONNECTIVITY PERSONNEL, WITHOUT WRITTEN AUTHORIZATION FROM TE CONNECTIVITY CORPORATION, AUSTRALIA.

LOC							IMPLIED NOTES BURRS AND SHARP EDGES REMOVED SCREW THREADS ARE TO AS 1275 DO NOT WORK TO DIMS MARKED REF SURFACE FINISH 6.3 U.N.O. DIMS ARE IN mm. DO NOT SCALE			IMPLIED TOLERANCES HOLE DIA AND LOCATIONS: ±0.5mm DIMENSIONS UP TO 30mm: ±1.5mm DIMENSIONS OVER 30mm: ±5% UP TO A MAX OF: ±5mm ANGULAR DIMENSIONS: ±5°			TCPN REFER TABLE PART Alias UTX/DUL > Cat No REFER TABLE		TITLE CABLE CLEAT DUAL 60-80 STRUT NUT ASSEMBLY		
	DIST	—	I	NEW RELEASE	26/04/2016	DG	AT	MATERIAL DESC -			DRAWN DG		DATE 26/04/2016		TE Connectivity 2/3 Corella Close Berkeley Vale NSW 2261 Australia		
POS	REV	REVISION RECORD			DATE	DWN	APVD	MATERIAL NO -	MATL SPEC/STD/DRG NO -	PROCESS SPEC HEAT TREAT/PLATING NO -	SIZE A3	PROJECTION 3RD ANGLE	SCALE 1:2	DRAWING NO AU34698	SHEET 1	OF 1	REV 1

Format: generic_m03.au.r1.fm 4

Template: tec_generic_a3_metric.au.r1.drw 3

Dwg No from P1 Mod Fam Tbl: 2 AUXXXXX