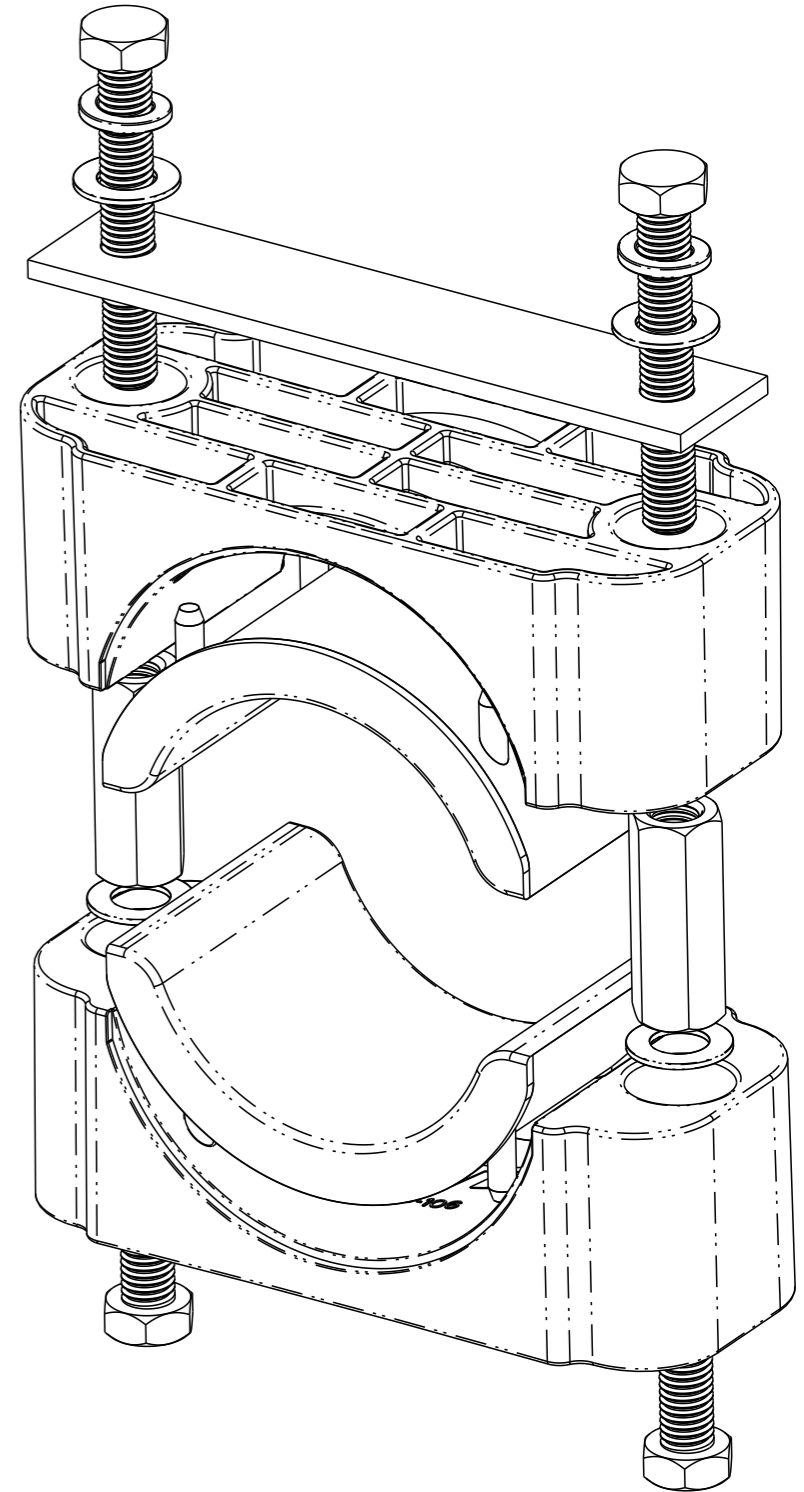
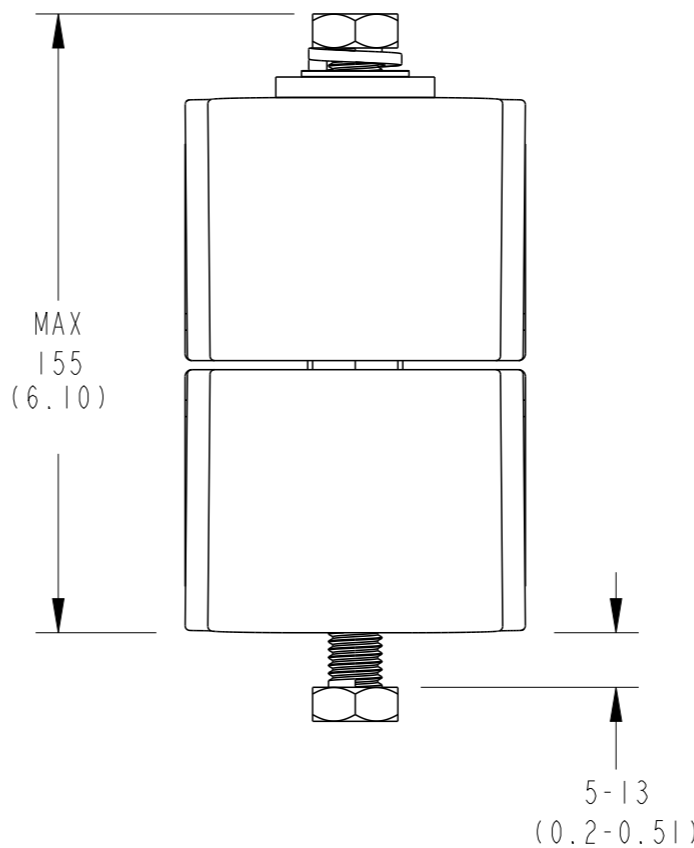
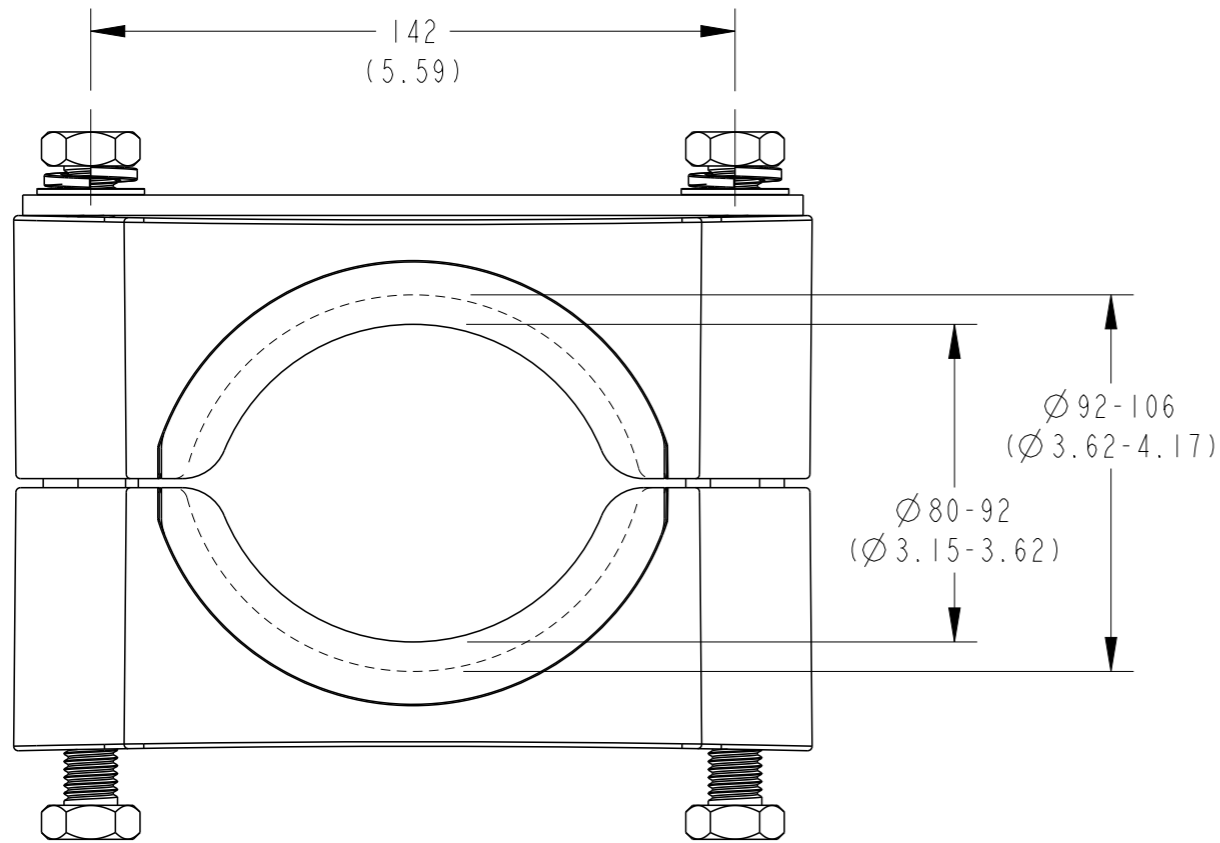


PART NO.	CATALOGUE NO.
BM9041-000	CC80-92-FM-M12
BM9042-000	CC92-106-FM-M12



THIS INFORMATION IS CONFIDENTIAL AND PROPRIETARY TO TE CONNECTIVITY CORPORATION AND ITS WORLDWIDE SUBSIDIARIES AND AFFILIATES. IT MAY NOT BE DISCLOSED TO ANYONE, OTHER THAN TE CONNECTIVITY PERSONNEL, WITHOUT WRITTEN AUTHORIZATION FROM TE CONNECTIVITY CORPORATION, AUSTRALIA.

LOC										IMPLIED NOTES BURRS AND SHARP EDGES REMOVED SCREW THREADS ARE TO AS 1275 DO NOT WORK TO DIMS MARKED REF SURFACE FINISH 6.3 U.N.O. DIMS ARE IN mm. DO NOT SCALE		IMPLIED TOLERANCES HOLE DIA AND LOCATIONS: ±0.5mm. DIMENSIONS UP TO 30mm: ±1.5mm. DIMENSIONS OVER 30mm: ±5% UP TO A MAX OF: ±5mm. ANGULAR DIMENSIONS: ±5°		TCPN REFER TABLE PART Alias UTX/DUL CC80-106-FM-M12 Cat No REFER TABLE		TITLE CABLE CLEAT Ø80-92 AND Ø92-106 FLAT MOUNT TYPE 5-13mm		DRAWN RN DATE 31-08-2015		APPROVED AT		TE Connectivity 2/3 Corella Close Berkeley Vale NSW 2261 Australia									
DIST		NEW RELEASE		31-08-2015		RN		AT		MATERIAL DESC		-		-		-		-		-											
POS		REV		REVISION RECORD		DATE		DWN		APVD		MATERIAL NO		MATL SPEC/STD/DRG NO		PROCESS SPEC HEAT TREAT/PLATING NO		SIZE		PROJECTION		SCALE		DRAWING NO		SHEET		OF		REV	
8						7		6		5		4		3		2		1		A3		3RD ANGLE		3:5		AU34606		1		1	