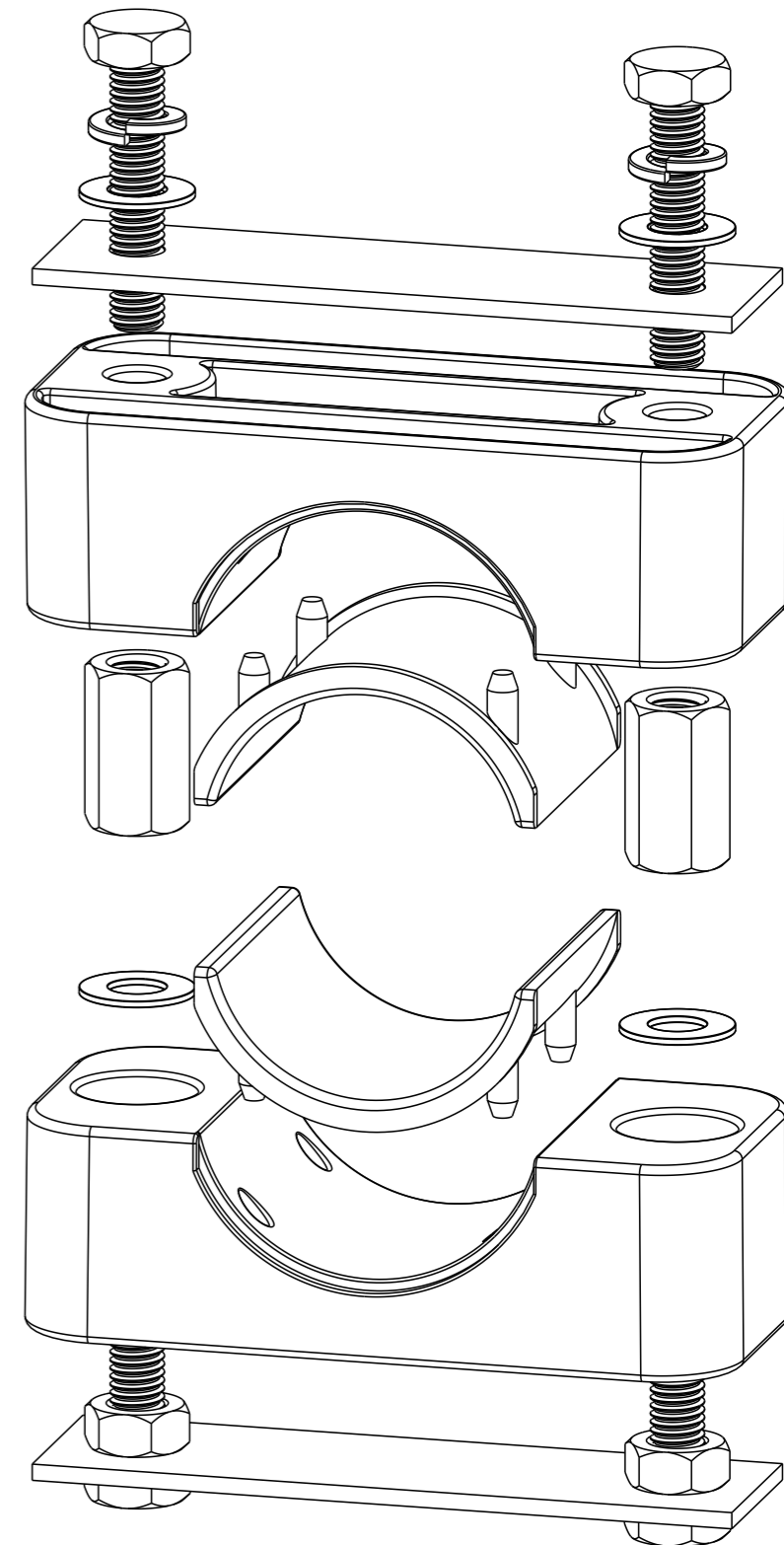


PART NO.	CATALOGUE NO.	REFERENCE NO.
CV8199-000	CC50-60-PL-M10	TAPI0907
EF8403-000	CC50-60-PL-M12	—



LOC	DIST	POS	REV	REVISION RECORD	DATE	DWN	APVD	MATERIAL NO	MATL SPEC/STD/DRG NO	PROCESS SPEC HEAT TREAT/PLATING NO	SIZE	PROJECTION	SCALE	DRAWING NO	SHEET	OF	REV
	—	I	NEW RELEASE		19-02-2015	MB	AT				A3	3RD ANGLE	3:4	AU34558	1	1	1

IMPLIED NOTES
BURRS AND SHARP EDGES REMOVED
SCREW THREADS ARE TO AS 1275
DO NOT WORK TO DIMS MARKED REF
SURFACE FINISH 6.3 U.N.O.
DIMS ARE IN mm. DO NOT SCALE

IMPLIED TOLERANCES
HOLE DIA AND LOCATIONS: ±0.5mm.
DIMENSIONS UP TO 30mm: ±1.5mm.
DIMENSIONS OVER 30mm: ±5%
UP TO A MAX OF: ±5mm.
ANGULAR DIMENSIONS: ±5°

TCPN
REFER TABLE
PART Alias UTX/DUL
CC50-60-PL-M10
Cat No
REFER TABLE

TITLE
CABLE CLEAT Ø50-Ø60
SLIDING PLATE M10 & M12

DRAWN MB
CHECKED RN
DATE 19-02-2015
APPROVED AT

TE TE Connectivity
2/3 Corella Close
Berkeley Vale NSW 2261 Australia

Format: generic_m03.au.r1.frm 4
Template: tec_generic_a3.metric.au.r1.drw 3
Dwg No from Pl Mod Fam Tbl: 2 >AUXXXXX