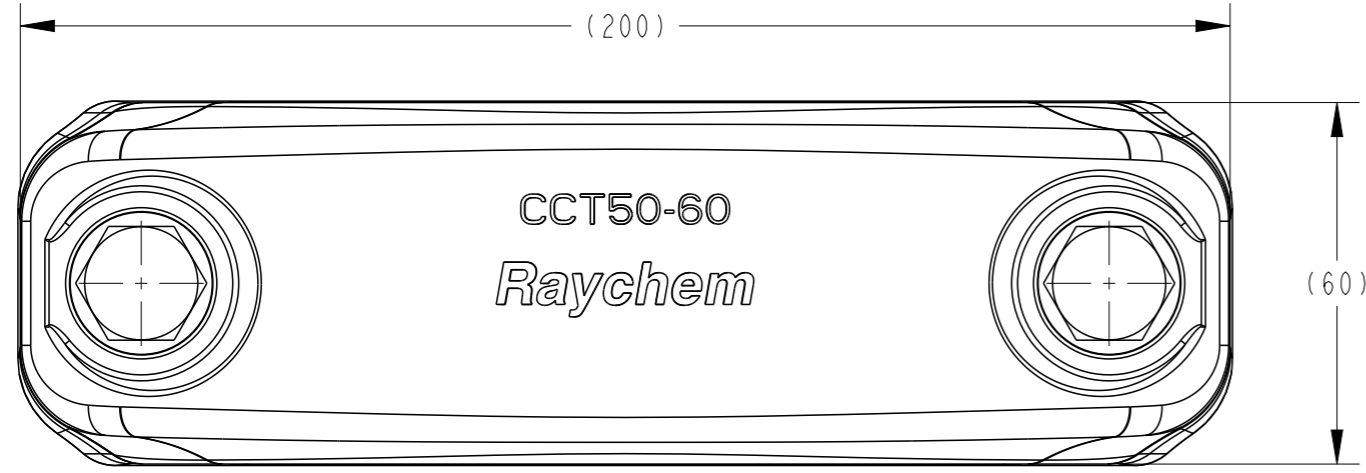
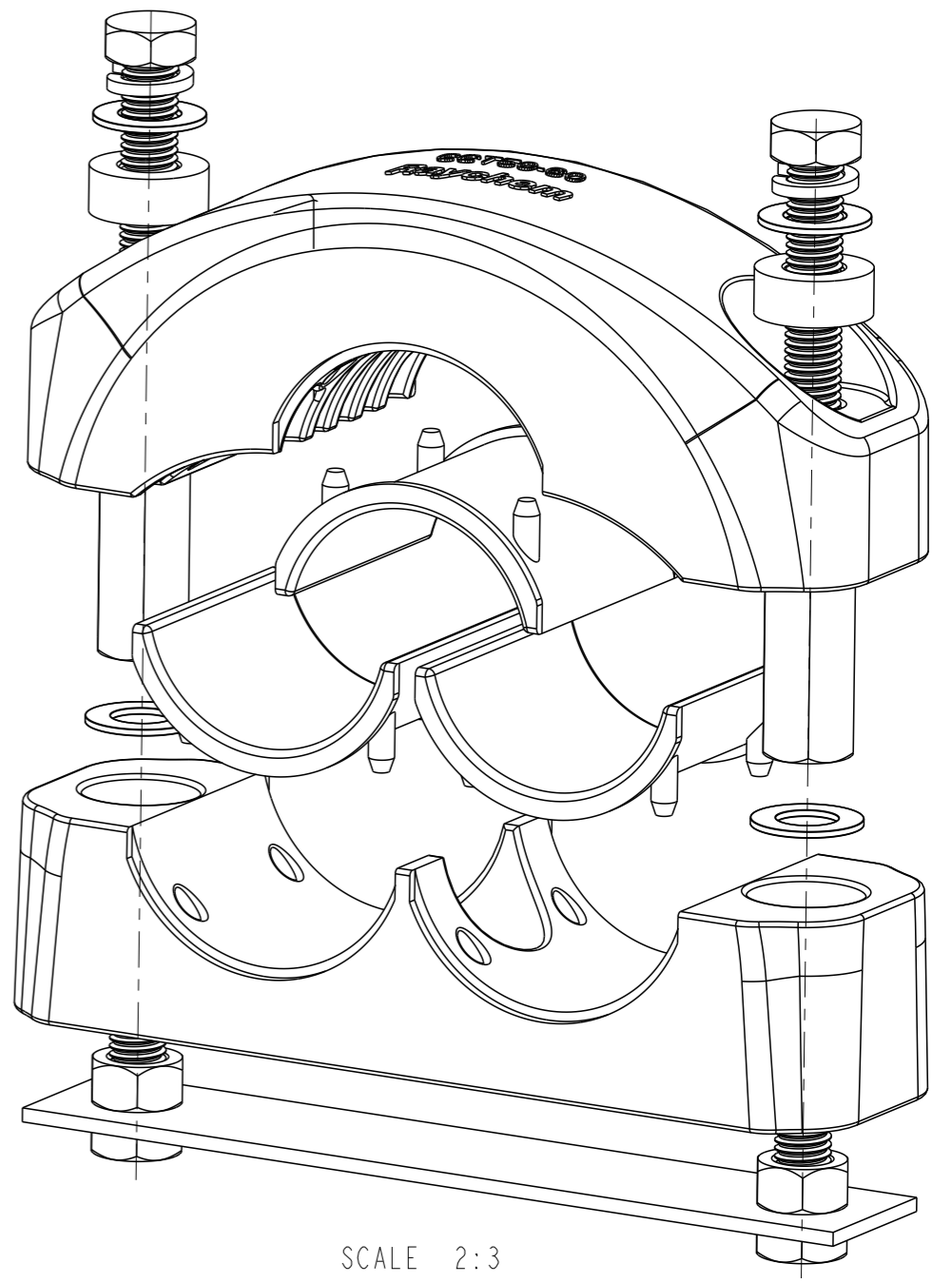
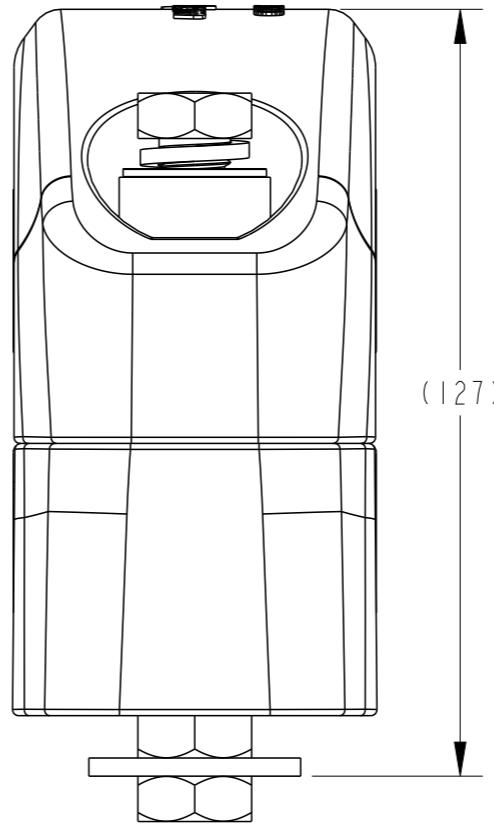
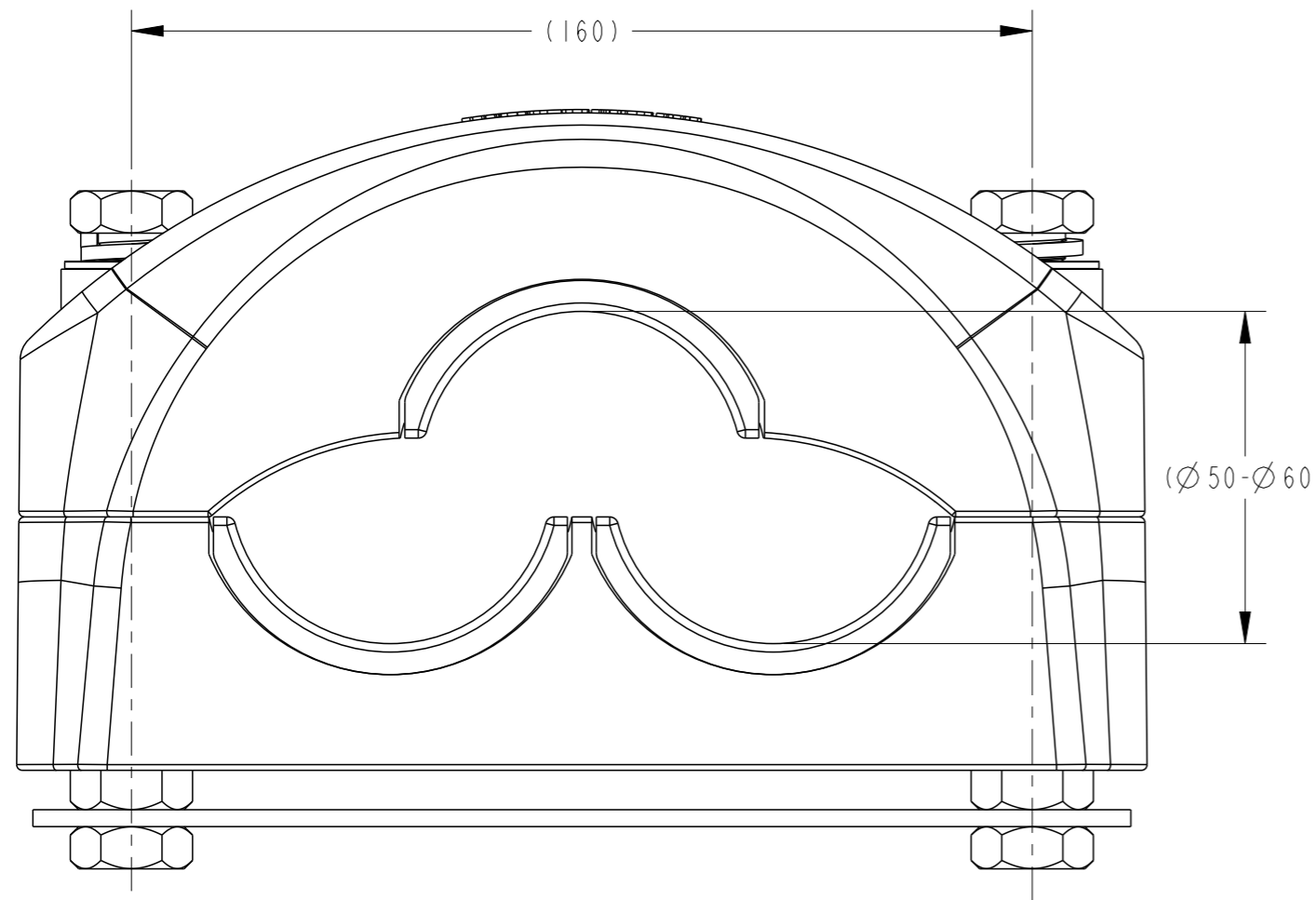



DRAWING NO. AU34532
THIS DRAWING IS A CONTROLLED DOCUMENT



PART NO.	CATALOGUE NO.
BM4879-000	CCT50-60-PL-MI2



THIS INFORMATION IS CONFIDENTIAL AND PROPRIETARY TO TE CONNECTIVITY CORPORATION AND ITS WORLDWIDE SUBSIDIARIES AND AFFILIATES. IT MAY NOT BE DISCLOSED TO ANYONE, OTHER THAN TE CONNECTIVITY PERSONNEL, WITHOUT WRITTEN AUTHORIZATION FROM TE CONNECTIVITY CORPORATION, AUSTRALIA.

LOC										IMPLIED NOTES BURRS AND SHARP EDGES REMOVED SCREW THREADS ARE TO AS 1275 DO NOT WORK TO DIMS MARKED REF SURFACE FINISH 6.3 U.N.O. DIMS ARE IN mm. DO NOT SCALE	IMPLIED TOLERANCES HOLE DIA AND LOCATIONS: ±0.5mm. DIMENSIONS UP TO 30mm: ±1.5mm. DIMENSIONS OVER 30mm: ±5% UP TO A MAX OF: ±5mm. ANGULAR DIMENSIONS: ±5°	TCPN BM4879-000 PART Alias UTX/DUL CCT50-60-PL-MI2 Cat No CCT50-60-PL-MI2	TITLE CABLE CLEAT TREFOIL ∅50-∅60 SLIDER PLATE MI2								
DIST	—	I	NEW RELEASE		13/01/15	DG	AT			MATERIAL DESC		DRAWN DG	DATE 13/01/15	 TE Connectivity 2/3 Corella Close Berkeley Vale NSW 2261 Australia							
POS	REV		REVISION RECORD		DATE	DWN	APVD			MATERIAL NO	MATL SPEC/STD/DRG NO	PROCESS SPEC HEAT TREAT/PLATING NO	CHECKED RN		APPROVED AT	SIZE A3	PROJECTION 3RD ANGLE	SCALE 4:5	DRAWING NO AU34532	SHEET 1	OF 1