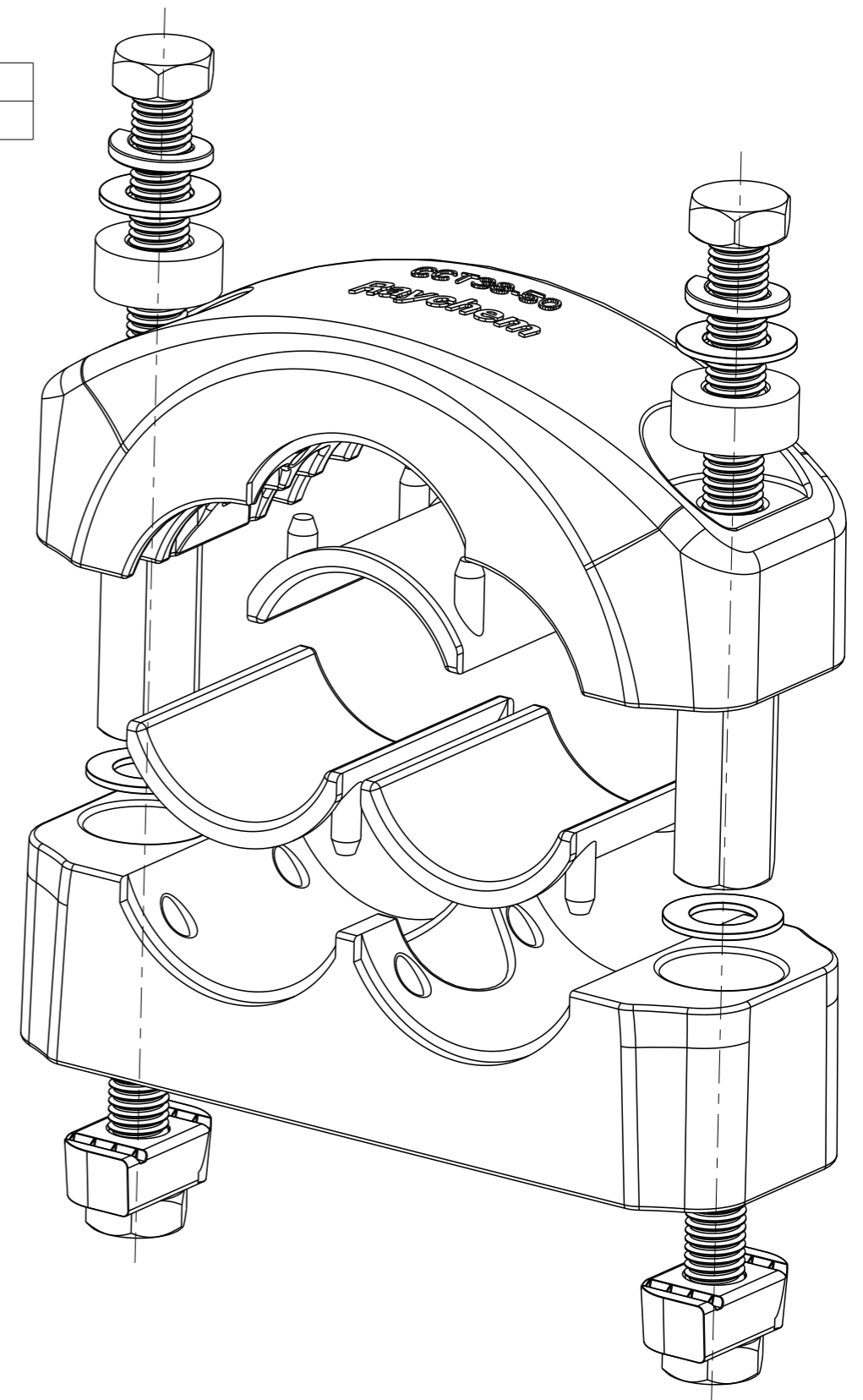
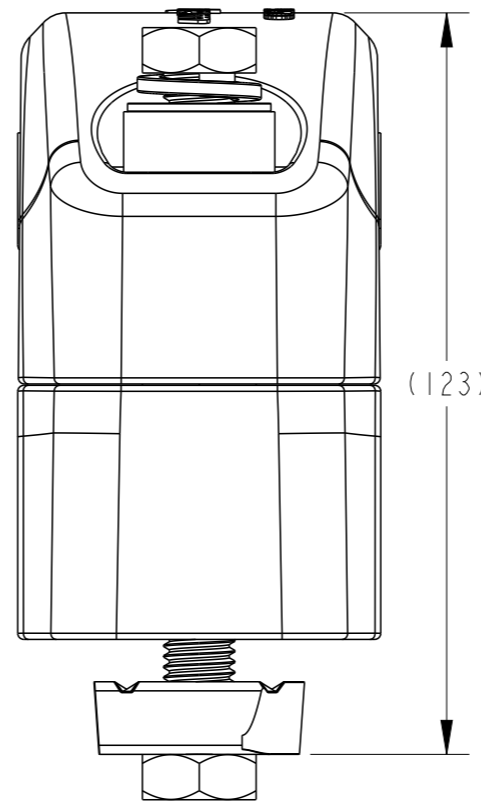
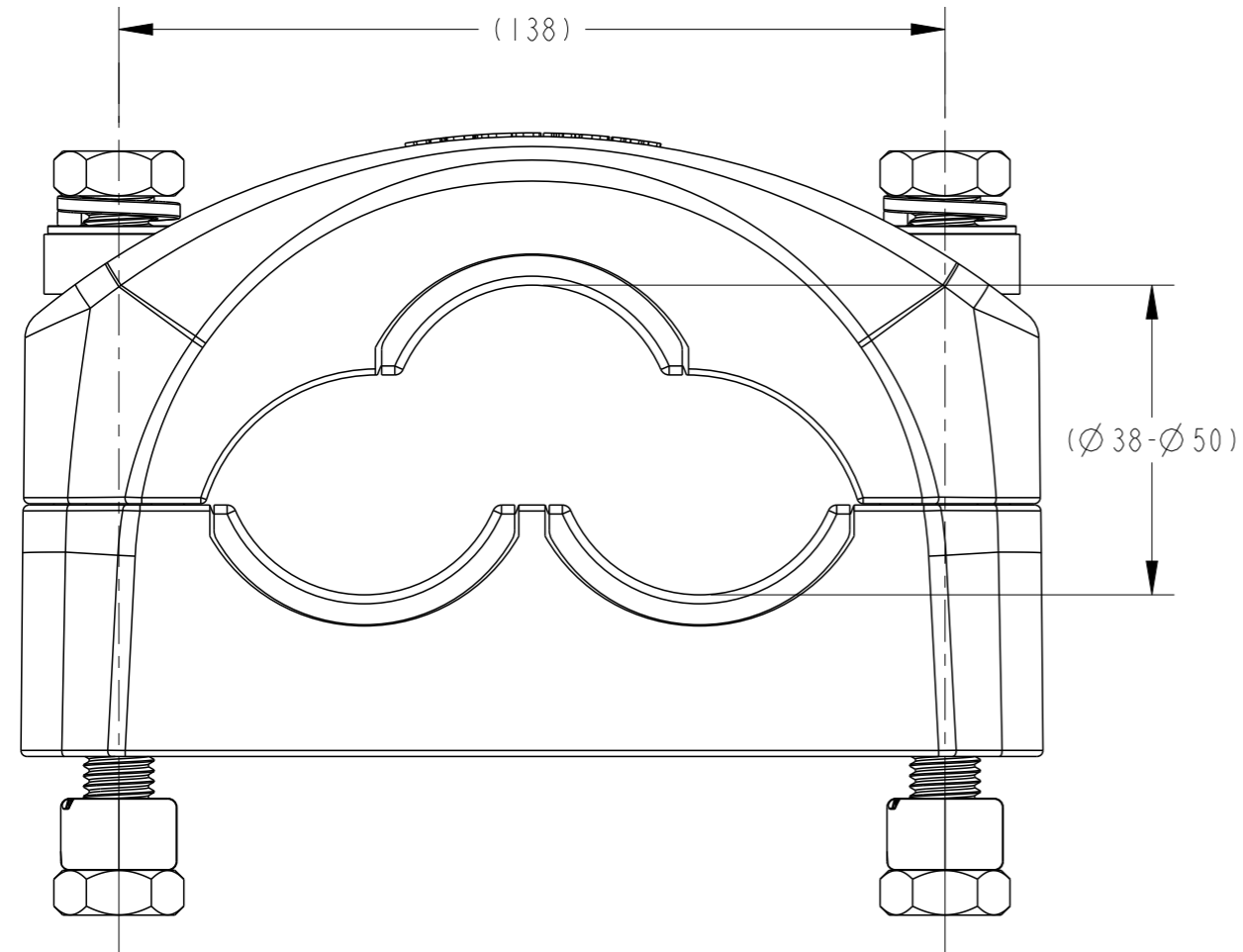


PART NO.	CATALOGUE NO.
BM4873-000	CCT38-50-SN-M12



D  
C  
B  
A

LOC							<b>IMPLIED NOTES</b> BURRS AND SHARP EDGES REMOVED SCREW THREADS ARE TO AS 1275 DO NOT WORK TO DIMS MARKED REF SURFACE FINISH 6.3 U.N.O. DIMS ARE IN mm. DO NOT SCALE	<b>IMPLIED TOLERANCES</b> HOLE DIA AND LOCATIONS: ±0.5mm. DIMENSIONS UP TO 30mm: ±1.5mm. DIMENSIONS OVER 30mm: ±5% UP TO A MAX OF: ±5mm. ANGULAR DIMENSIONS: ±5°	TCPN BM4873-000 PART Alias UTX/DUL CCT38-50-SN-M12 Cat No CCT38-50-SN-M12	TITLE CABLE CLEAT TREFOIL Ø38-Ø50 STRUT NUT M12							
DIST	—	I	NEW RELEASE	08/01/15	DG	AT	MATERIAL DESC			DRAWN DG CHECKED RN	DATE 08/01/15 APPROVED AT	TE Connectivity 2/3 Corella Close Berkeley Vale NSW 2261 Australia					
POS	REV	REVISION RECORD			DATE	DWN	APVD	MATERIAL NO	MATL SPEC/STD/DRG NO	PROCESS SPEC HEAT TREAT/PLATING NO	SIZE A3	PROJECTION 3RD ANGLE	SCALE 4:5	DRAWING NO AU34529	SHEET	OF	REV
8		7			6			5			4	3	2		1		