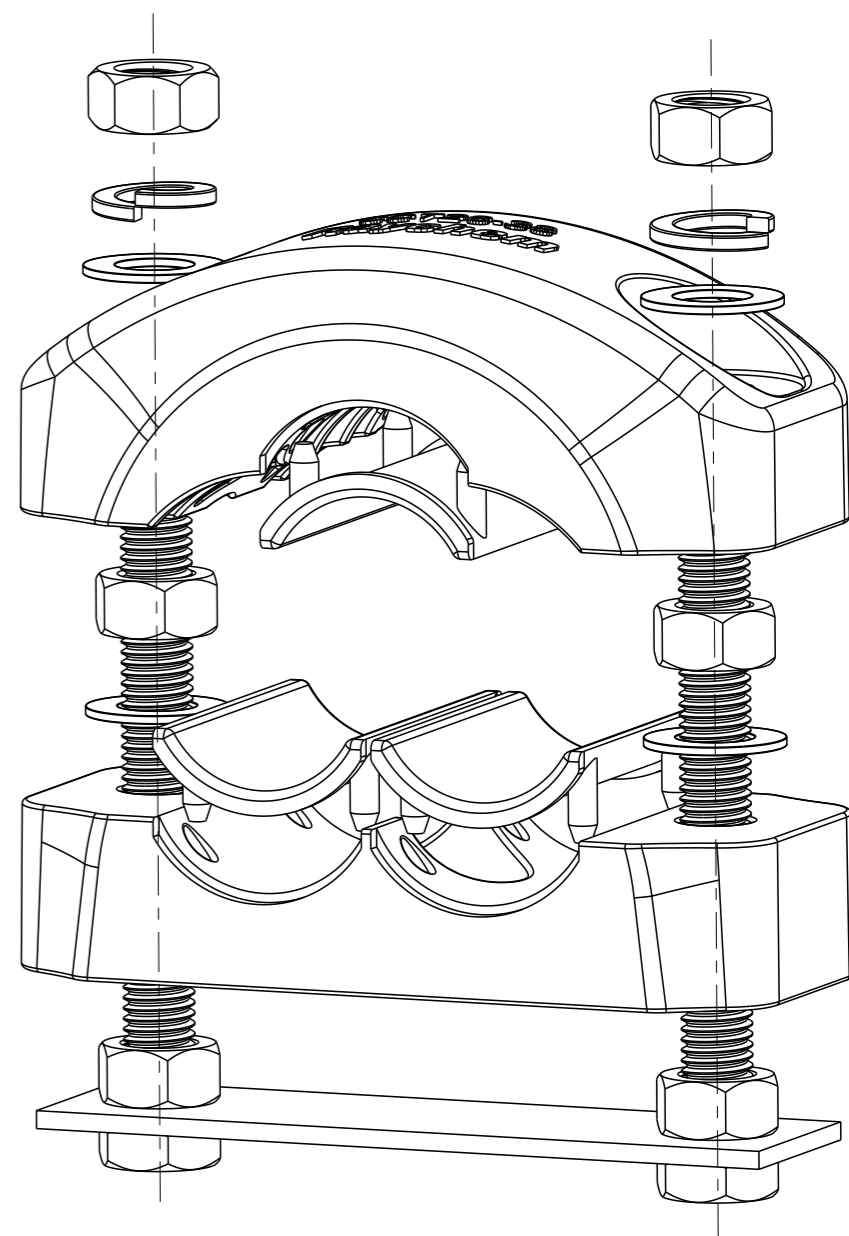
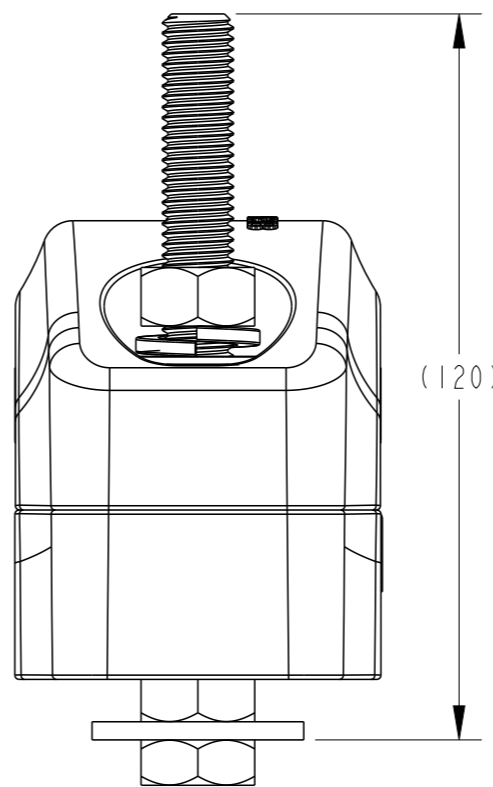
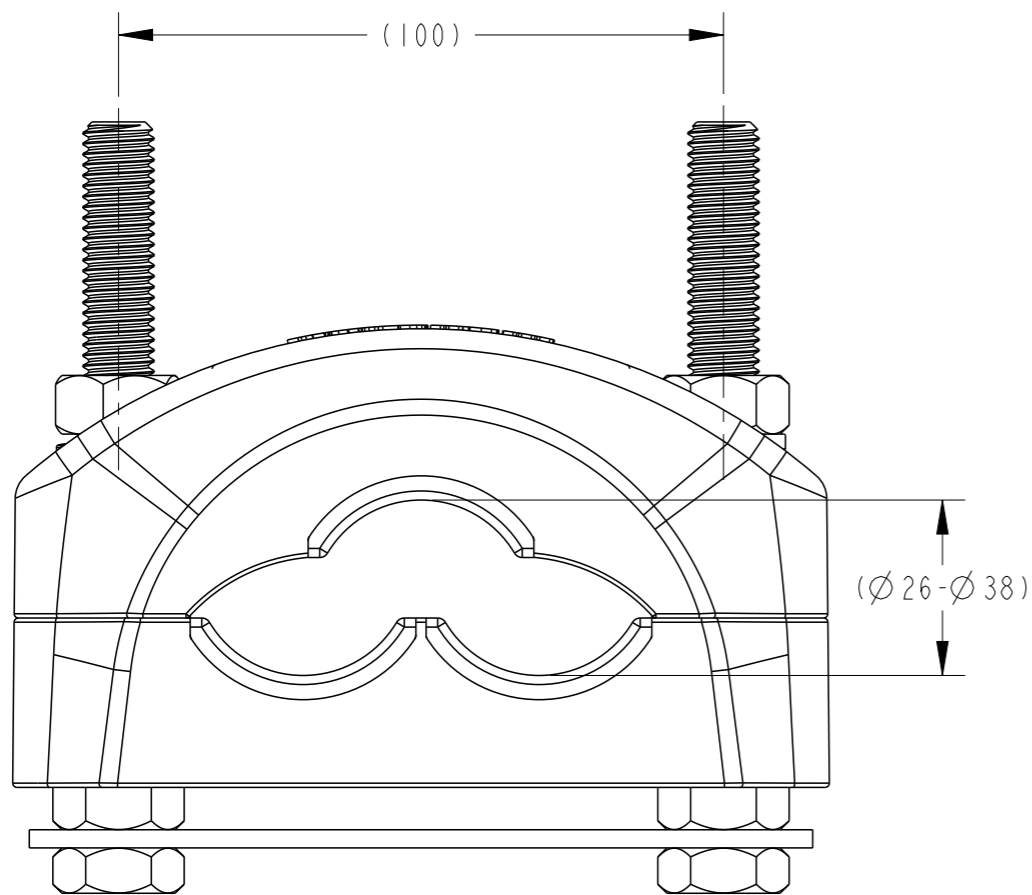


PART NO.	CATALOGUE NO.
BM4863-000	CCT26-38-PL-M12



LOC																					
DIST		I	NEW RELEASE		13/01/15	DG	AT														
POS	REV		REVISION RECORD		DATE	DWN	APVD	MATERIAL NO	MATL SPEC/STD/DRG NO	PROCESS SPEC HEAT TREAT/PLATING NO											
IMPLIED NOTES BURRS AND SHARP EDGES REMOVED SCREW THREADS ARE TO AS 1275 DO NOT WORK TO DIMS MARKED REF SURFACE FINISH 6.3 U.N.O. DIMS ARE IN mm. DO NOT SCALE								IMPLIED TOLERANCES HOLE DIA AND LOCATIONS: ±0.5mm. DIMENSIONS UP TO 30mm: ±1.5mm. DIMENSIONS OVER 30mm: ±5%. UP TO A MAX OF: ±5mm. ANGULAR DIMENSIONS: ±5°.				TCPN BM4863-000 PART Alias UTX/DUL CCT26-38-PL-M12 Cat No CCT26-38-PL-M12				TITLE CABLE CLEAT TREFOIL Ø 26-Ø 38 SLIDER PLATE M12					
												DRAWN DG		DATE 13/01/15		TE Connectivity 2/3 Corella Close Berkeley Vale NSW 2261 Australia					
												CHECKED RN		APPROVED AT				DRAWING NO AU34528		SHEET OF REV 	
8		7		6		5		4		3		2		1							

D
C
B
A