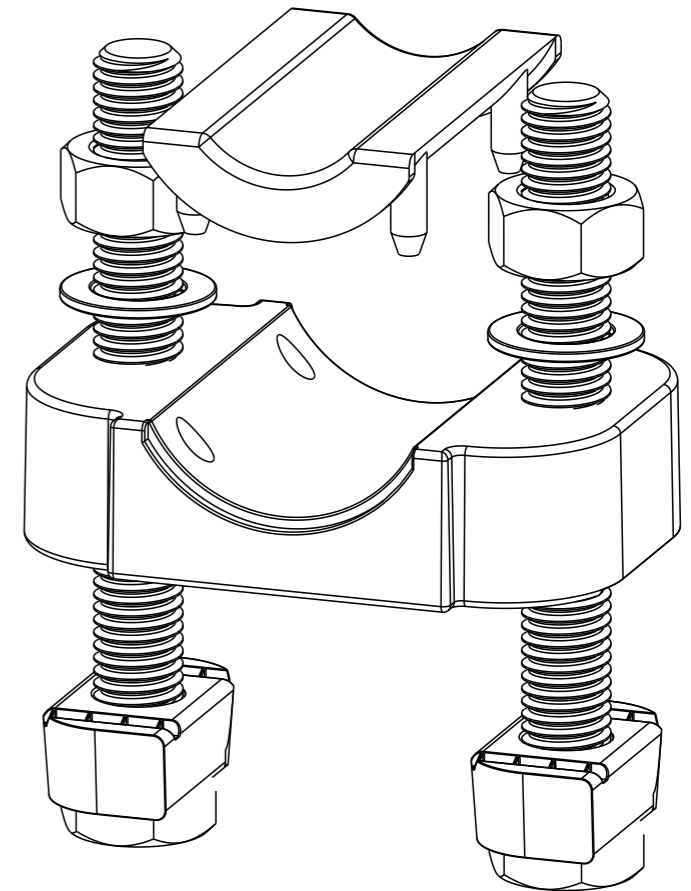
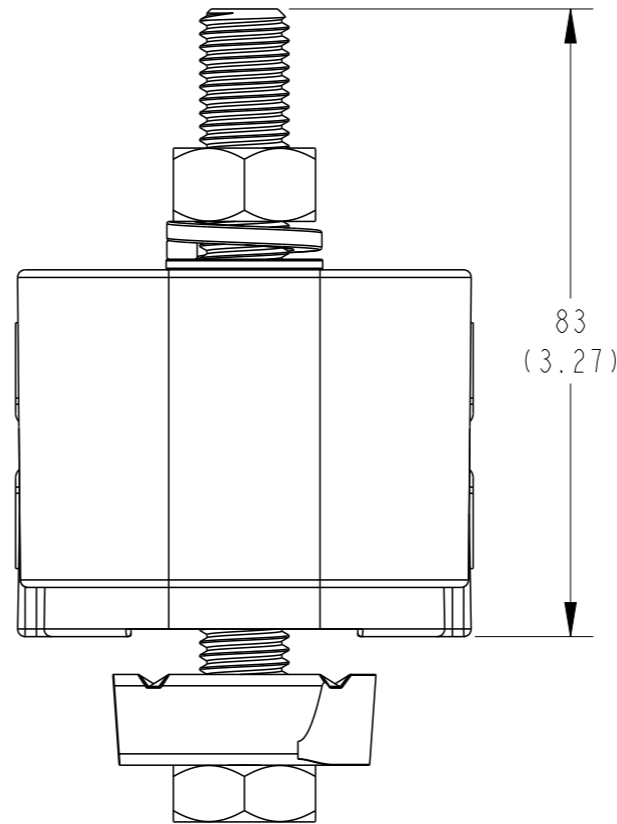
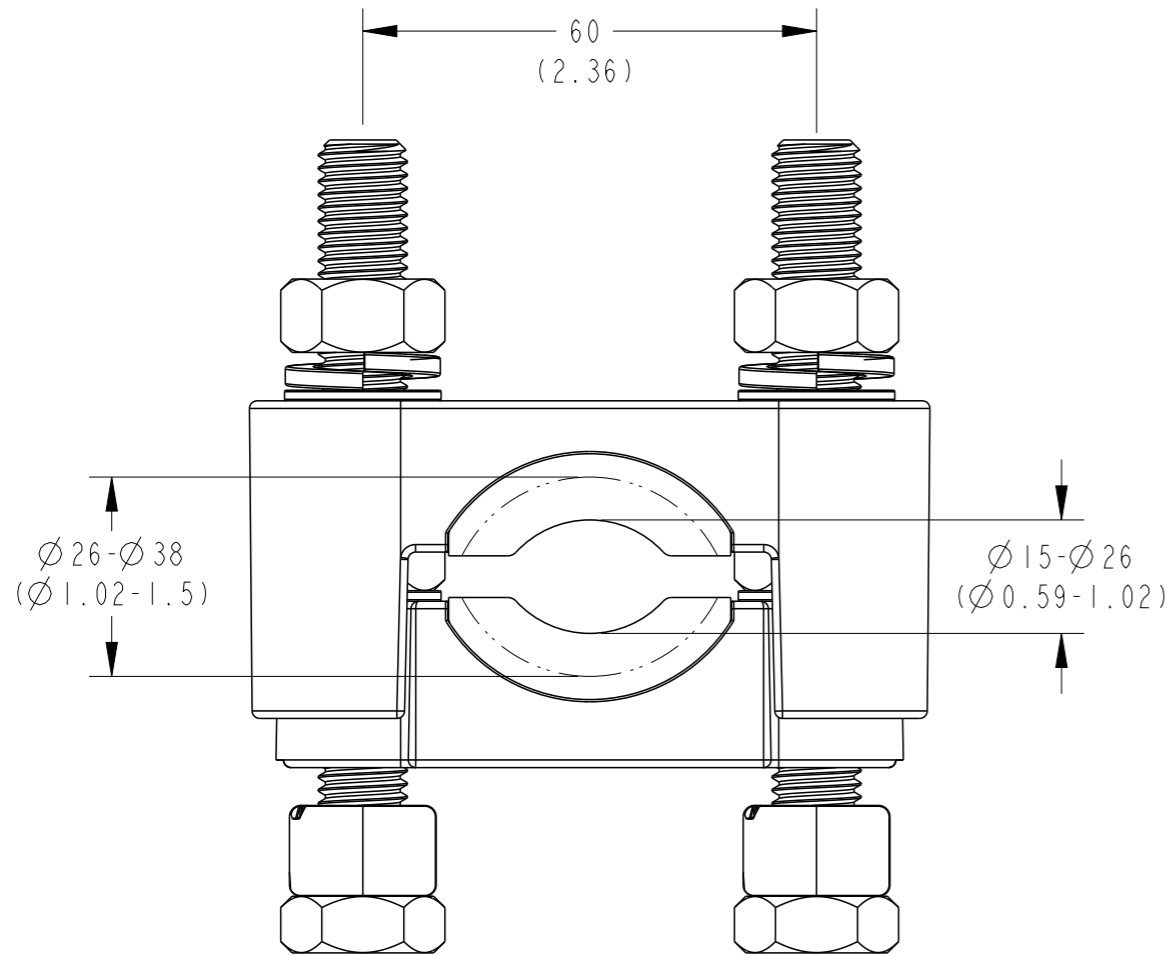
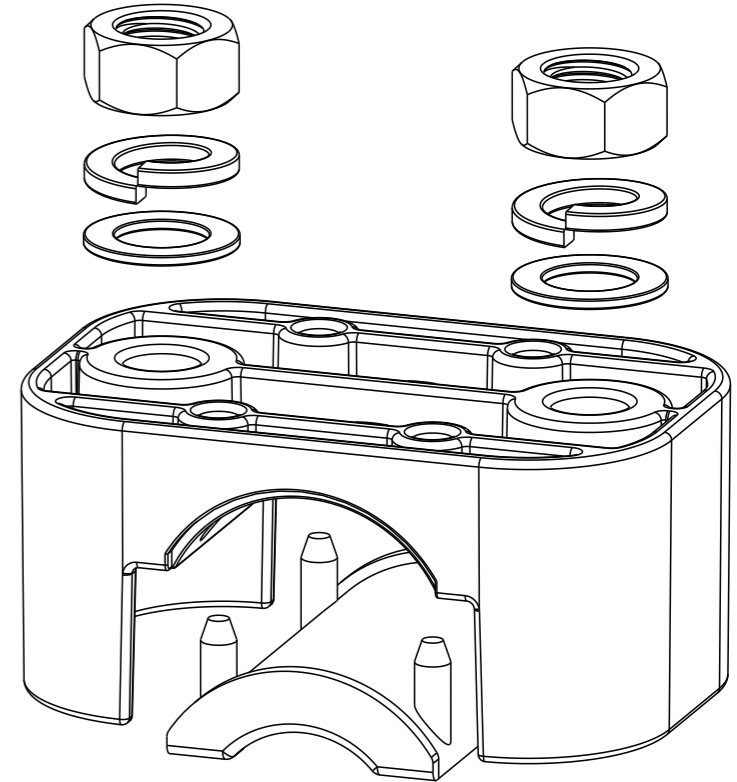


PART NO.	CATALOGUE NO.	REFERENCE NO.
EJ2738-000	CC15-26-SN-M10	—
EJ2739-000	CC15-26-SN-M12	—
CV8200-000	CC26-38-SN-M10	TAP10908
EF8402-000	CC26-38-SN-M12	—



LOC	REV	DESCRIPTION	DATE	DWN	APVD	MATERIAL NO	MATL SPEC/STD/DRG NO	PROCESS SPEC HEAT TREAT/PLATING NO	SIZE	PROJECTION	SCALE	DRAWING NO	SHEET	OF	REV
—	3	CC15-26-SN-M10 & M12 ADDED TO TABLE	4/5/2016	DG	AT	—	—	—	A3	3RD ANGLE	1:1	AU29452	1	1	3
D5	2	CC26-38-SN-M12 ADDED TO TABLE	19-02-2015	MB	AT	—	—	—	—	—	—	—	—	—	—
DIST	—	NEW RELEASE	23-04-2014	RN	AT	—	—	—	—	—	—	—	—	—	—
POS	REV	REVISION RECORD	DATE	DWN	APVD	MATERIAL NO	MATL SPEC/STD/DRG NO	PROCESS SPEC HEAT TREAT/PLATING NO	SIZE	PROJECTION	SCALE	DRAWING NO	SHEET	OF	REV

IMPLIED NOTES
BURRS AND SHARP EDGES REMOVED
SCREW THREADS ARE TO AS 1275
DO NOT WORK TO DIMS MARKED REF
SURFACE FINISH 6.3 U.N.O.
DIMS ARE IN mm. DO NOT SCALE

IMPLIED TOLERANCES
HOLE DIA AND LOCATIONS: ±0.5mm
DIMENSIONS UP TO 30mm: ±1.5mm
DIMENSIONS OVER 30mm: ±5%
UP TO A MAX OF: ±5mm
ANGULAR DIMENSIONS: ±5°

TCPN
REFER TABLE
PART Alias UTX/DUL
REFER TABLE
Cat No
REFER TABLE

TITLE
CABLE CLEAT Ø15-26 & Ø26-38
STRUT NUT M10 & M12
DRAWN
RN
CHECKED
RN
DATE
23-04-2014
APPROVED
AT

TE TE Connectivity
2/3 Corella Close
Berkeley Vale NSW 2261 Australia