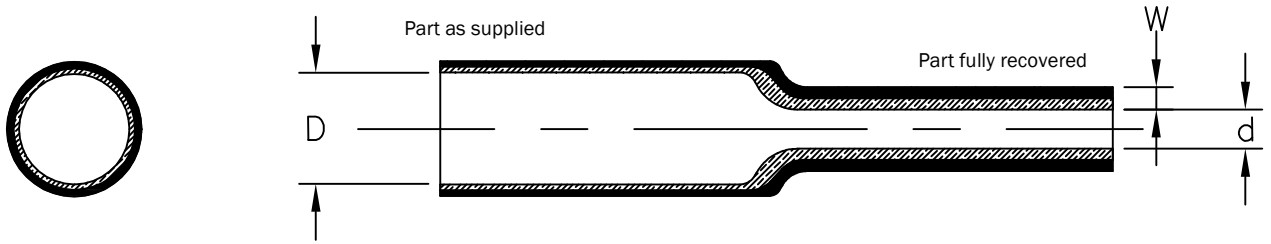


REVISIONS					
P	LTR	DESCRIPTION	DATE	DWN	APVD
	2	ECR-12-010780	14JUN2012	HD	CD
	3	ECR-18-006884	04MAY2018	RS	CD



PRODUCT DIMENSIONS & NOTES

DIMENSIONS (in millimetres)

D DIA.	d DIA.	W
MIN	MAX	±0.36
a	b	b
19.0	4.0	1.78

NOTES:

Material conforms to TE specification TEC-108-120009.
 Longitudinal shrinkage on full recovery = -10 to -30%
 Supplied wall thickness concentricity = 50% minimum.

MATERIAL: 1. JACKET Irradiated Modified Polyolefin.
 2. LINER Hot melt adhesive.


JUN , 2012.

RELEASED FOR PUBLICATION

ALL RIGHTS RESERVED.

© COPYRIGHT 2011 Tyco Electronics UK Ltd, Swindon, UK

THIS DRAWING IS UNPUBLISHED.

DIMENSIONS: mm	DWN AL	31AUG2000	MATERIAL	-	FINISH	-
	CHK	-	 TE Connectivity Ltd.			
TOLERANCES UNLESS OTHERWISE SPECIFIED: 0 PLC ± - 1 PLC ± - 2 PLC ± - 3 PLC ± - 4 PLC ± - ANGLES ± -	APVD CD	31AUG2000				
	PRODUCT SPEC	TEC-108-120009	SIZE	CAGE CODE	DRAWING NO	RESTRICTED TO
	APPLICATION SPEC	-	A4	-	Ⓒ-ATUM-19_4-0	-
	WEIGHT	32.70g/m	CUSTOMER DRAWING		SCALE	NTS
					SHEET	1 of 1
						REV 3