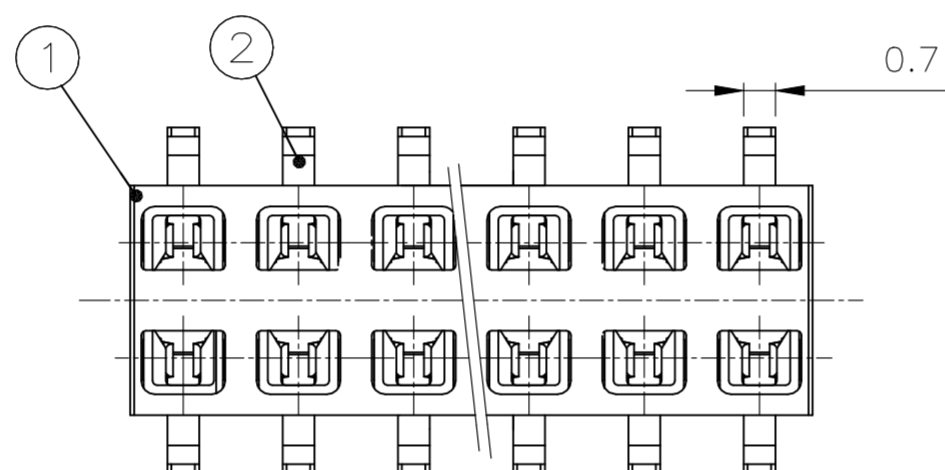
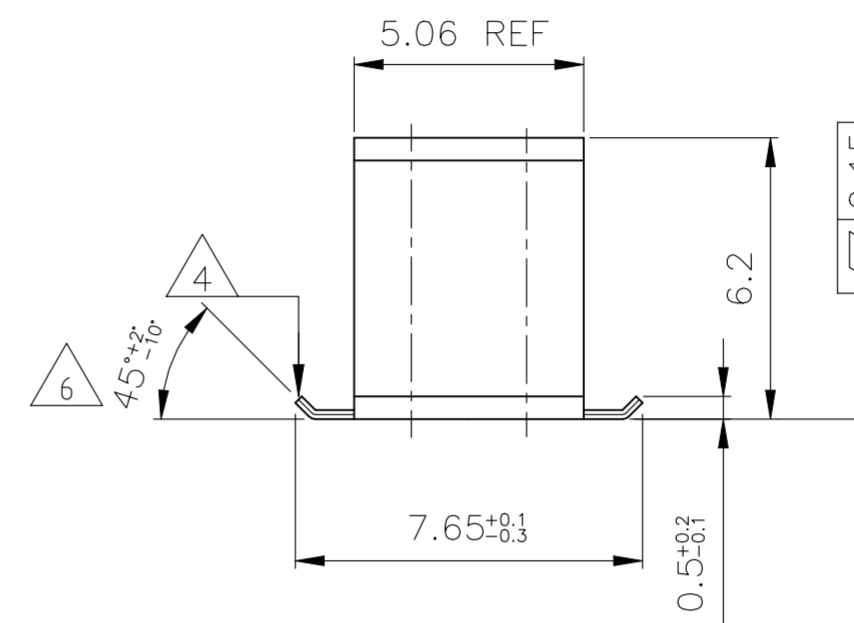
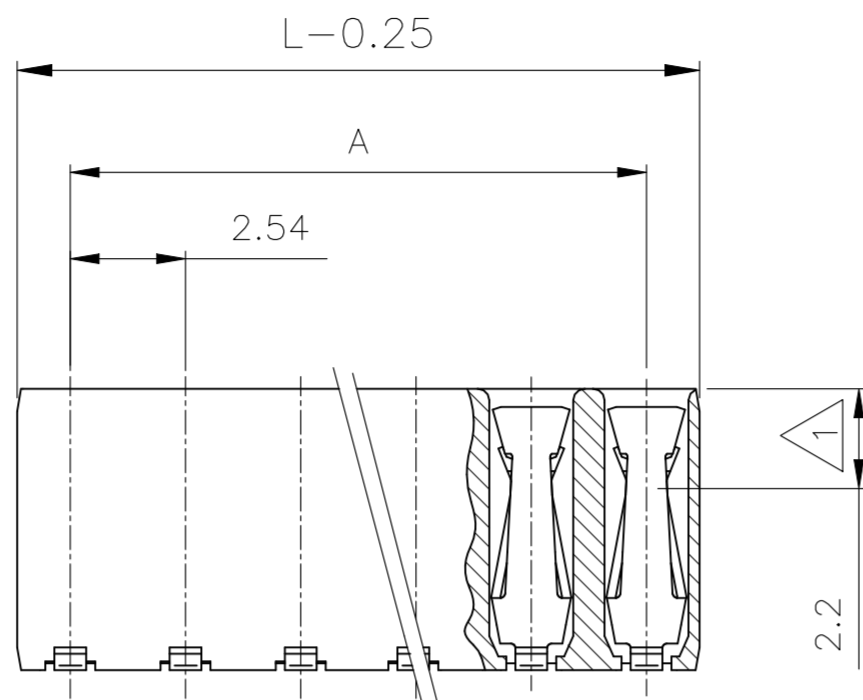


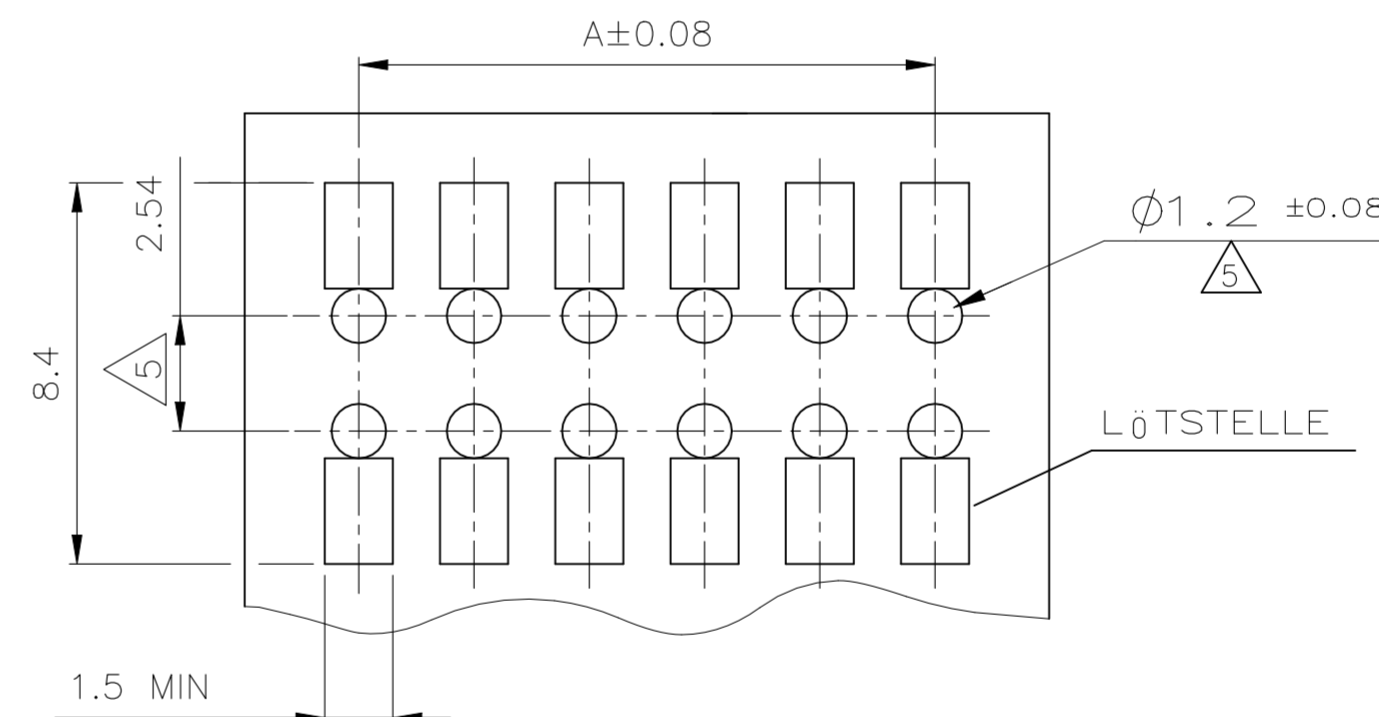
REVISIONS

| P | LTR | DESCRIPTION | DATE | DWN | APVD |
|---|-----|--------------------------------|-----------|-----|------|
| F | | PLATING THICKNESS OPTIMIZATION | 16AUG2024 | SN | KJK |

| Polz. | L _{-0.25} | A |
|-------|--------------------|-------|
| - | - | - |
| 2 | 4.88 | 2.54 |
| 3 | 7.42 | 5.08 |
| 4 | 9.96 | 7.62 |
| 5 | 12.5 | 10.16 |
| 6 | 15.04 | 12.7 |
| 7 | 17.58 | 15.24 |
| 8 | 20.12 | 17.78 |
| 9 | 22.66 | 20.32 |
| 10 | 25.2 | 22.86 |
| 11 | 27.24 | 25.4 |
| 12 | 30.28 | 27.94 |
| 13 | 32.82 | 30.48 |
| 14 | 35.36 | 33.02 |
| 15 | 37.90 | 35.56 |
| 16 | 40.44 | 38.10 |
| 17 | 42.98 | 40.64 |
| 18 | 45.52 | 43.18 |
| 19 | 48.06 | 45.72 |
| 20 | 50.60 | 48.26 |



EMPFOHLENES LEITERPLATTEN LAYOUT



NOTES:

- 1 EDGE CONTACT KONTAKTPUNKT
- 2 CONTACT RANGE: 0.66µm PdNi + 0.1µm Au Flash OVER 1.3µm Ni
SOLDERING RANGE: 2.5µm TIN OVER 1.3µm Ni
KONTAKTBEREICH: 0.66µm PdNi + 0.1µm Au Blitz ÜBER 1.3µm Ni
LÖTBEREICH: 2.5µm ZINN ÜBER 1.3µm Ni
- 3 CAN BE PLUGGED IN WITH MODU II PINS Ø0.63 OR □0.63 TOP OR BOTTOM ENTRY.
STECKBAR MIT MODU II STIFTEN Ø0.63 ODER □0.63 TOP ODER BOTTOM ENTRY.
- 4 PLANE OF SECTION BLANK SCHNITTFLÄCHE BLANK
- 5 ONLY WITH THE BOTTOM ENTRY NUR BEI BOTTOM ENTRY
- 6 BEND ANGLE WILL BE 80°±5° WHEN PRODUCED AT DIFFERENT EQUIPMENT (SEMI-AUTOMATIC) DUE TO CAPACITY OR MIX OF LOAD.

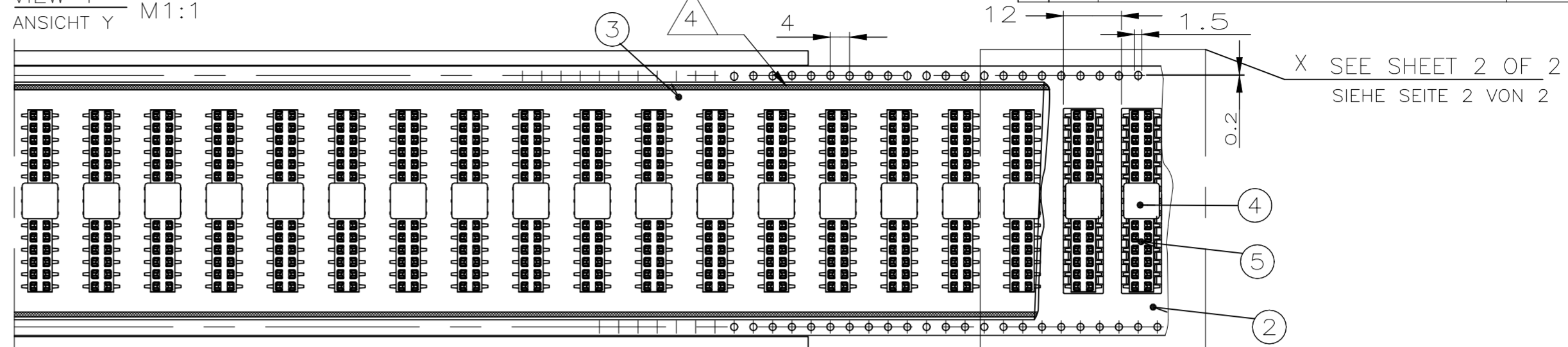
| 2 | - | HV 100 KONTAKT / HV 100 CONTACT | Cu Sn | 2 | |
|------|---------------|--|-----------------------|---------------------------------------|-------|
| 1 | - | HV 100 GEHÄUSE / HV 100 HOUSING | LCP | 1 | |
| POS. | STÜCK / PIECE | BENENNUNG EINZELTEIL PART DESCRIPTION | WERKSTOFF MATERIAL | OBERFLÄCHE / FARBE SURFACE / COLOR | SI No |

THIS DRAWING IS A CONTROLLED DOCUMENT.

| | | |
|------------------|---|--------------|
| DWN | M. STEIN | 20-OCT-97 |
| CHK | F. REICHARDT | 20-OCT-97 |
| APVD | G. Feldmeier | - |
| NAME | TE Connectivity Ltd. | |
| PRODUCT SPEC | HV100 REC. CONNECTOR, SMD, DOUBLE ROW WITH ADAPTER PACKED IN BLISTER BELT | |
| APPLICATION SPEC | 108-19056 | |
| SIZE | A2 | 00779 |
| CAGE CODE | C=969973 | |
| DRAWING NO | 969973 | |
| RESTRICTED TO | - | |
| SCALE | 1:2 | SHEET 1 OF 3 |
| REV | F | |

| REVISIONS | | | | | |
|-----------|-----|-------------|------|-----|------|
| P | LTR | DESCRIPTION | DATE | DWN | APVD |
| - | - | SEE SHEET 1 | - | - | - |

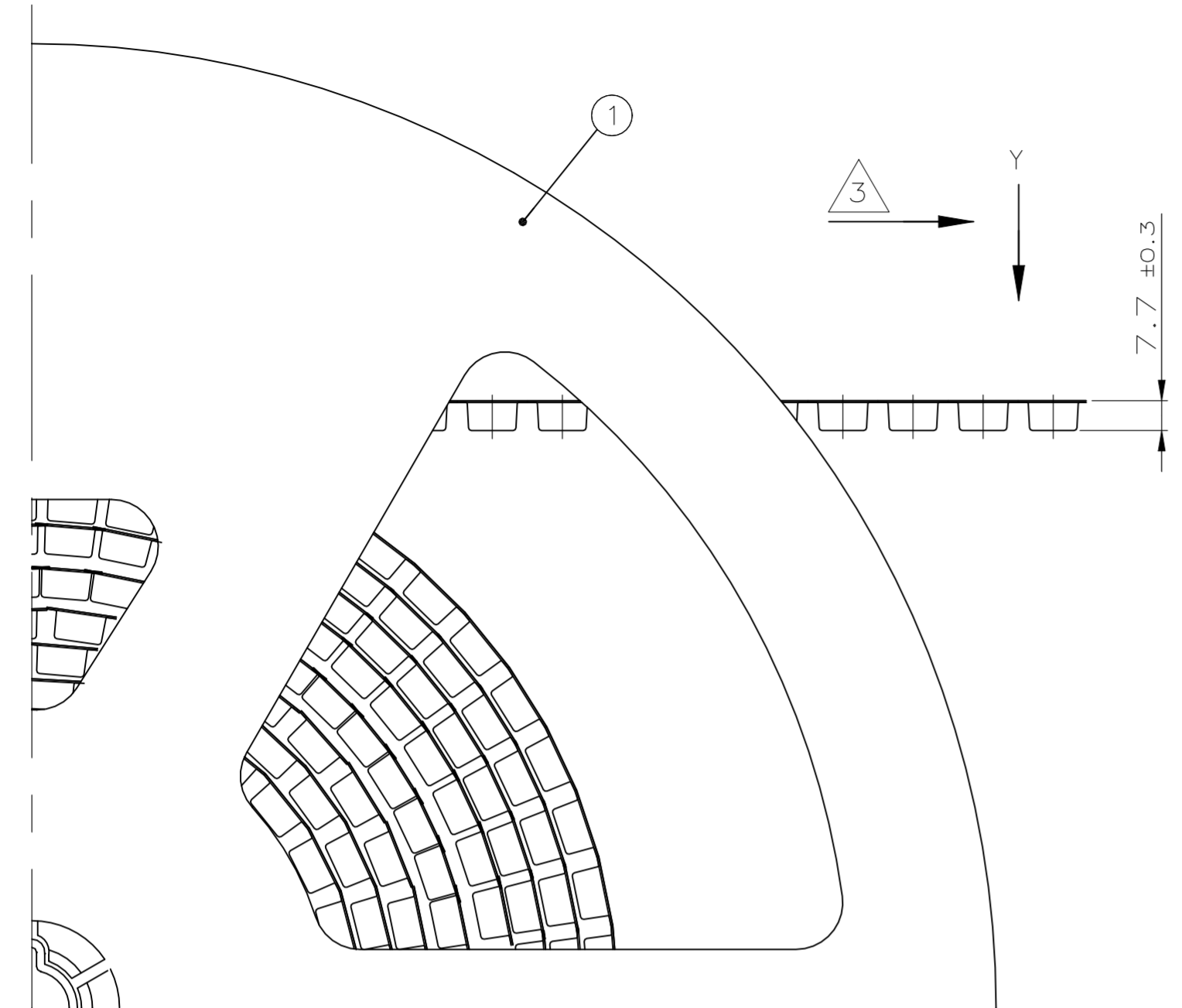
VIEW Y
ANSICHT Y M1:1



| POS. | DESCRIPTION / BENENNUNG | SURFACE / OBERFLAECHE COLOUR / FARBE | MATERIAL |
|------|--|---|-----------------|
| 5 | HV 100 CONNECTOR, SMD, 2x20pos HV 100 BUCHSENSTECKER, SMD, 2x20pol. | | |
| 5 | HV 100 CONNECTOR, SMD, 2x19pos HV 100 BUCHSENSTECKER, SMD, 2x19pol. | | |
| 5 | HV 100 CONNECTOR, SMD, 2x18pos HV 100 BUCHSENSTECKER, SMD, 2x18pol. | | |
| 5 | HV 100 CONNECTOR, SMD, 2x17pos HV 100 BUCHSENSTECKER, SMD, 2x17pol. | | |
| 5 | HV 100 CONNECTOR, SMD, 2x16pos HV 100 BUCHSENSTECKER, SMD, 2x16pol. | | |
| 5 | HV 100 CONNECTOR, SMD, 2x15pos HV 100 BUCHSENSTECKER, SMD, 2x15pol. | | |
| 5 | HV 100 CONNECTOR, SMD, 2x14pos HV 100 BUCHSENSTECKER, SMD, 2x14pol. | | |
| 5 | HV 100 CONNECTOR, SMD, 2x13pos HV 100 BUCHSENSTECKER, SMD, 2x13pol. | | |
| 5 | HV 100 CONNECTOR, SMD, 2x12pos HV 100 BUCHSENSTECKER, SMD, 2x12pol. | | |
| 5 | HV 100 CONNECTOR, SMD, 2x11pos HV 100 BUCHSENSTECKER, SMD, 2x11pol. | | |
| 5 | HV 100 CONNECTOR, SMD, 2x10pos HV 100 BUCHSENSTECKER, SMD, 2x10pol. | | |
| 5 | HV 100 CONNECTOR, SMD, 2x9pos HV 100 BUCHSENSTECKER, SMD, 2x9pol. | | |
| 5 | HV 100 CONNECTOR, SMD, 2x8pos HV 100 BUCHSENSTECKER, SMD, 2x8pol. | | |
| 5 | HV 100 CONNECTOR, SMD, 2x7pos HV 100 BUCHSENSTECKER, SMD, 2x7pol. | | |
| 5 | HV 100 CONNECTOR, SMD, 2x6pos HV 100 BUCHSENSTECKER, SMD, 2x6pol. | | |
| 5 | HV 100 CONNECTOR, SMD, 2x5pos HV 100 BUCHSENSTECKER, SMD, 2x5pol. | | |
| 5 | HV 100 CONNECTOR, SMD, 2x4pos HV 100 BUCHSENSTECKER, SMD, 2x4pol. | | |
| 5 | HV 100 CONNECTOR, SMD, 2x3pos HV 100 BUCHSENSTECKER, SMD, 2x3pol. | | |
| 5 | HV 100 CONNECTOR, SMD, 2x2pos HV 100 BUCHSENSTECKER, SMD, 2x2pol. | | |
| 4 | ADAPTER | LCP | BLACK / SCHWARZ |
| 4 | ADAPTER | LCP | BLACK / SCHWARZ |
| 3 | COVER TAPE/ABDECKFOLIE 65.4mm | PET | TRANSPARENT |
| 3 | COVER TAPE/ABDECKFOLIE 49.4mm | PET | TRANSPARENT |
| 3 | COVER TAPE/ABDECKFOLIE 37.4mm | PET | TRANSPARENT |
| 3 | COVER TAPE/ABDECKFOLIE 25.4mm | PET | TRANSPARENT |
| 2 | BLISTER BELT/BLISTERGURT 72mm | PS | BLACK |
| 2 | BLISTER BELT/BLISTERGURT 56mm | PS | BLACK |
| 2 | BLISTER BELT/BLISTERGURT 44mm | PS | BLACK |
| 2 | BLISTER BELT/BLISTERGURT 32mm | PS | BLACK |
| 1 | REEL Ø380/150x80.4 | PS | GREY / GRAU |
| 1 | REEL Ø330/150x62.4 | PS | GREY / GRAU |
| 1 | REEL Ø330/150x50.4 | PS | GREY / GRAU |
| 1 | REEL Ø330x150x38.4 | PS | GREY / GRAU |

5-7 5-5 2-0 1-9 1-8 1-7 1-6 1-5 1-4 1-3 1-2 1-1 1-0 -9 -8 -7 -6 -5 -4 -3 -2

OBSOLETE OBSOLETE OBSOLETE OBSOLETE OBSOLETE OBSOLETE



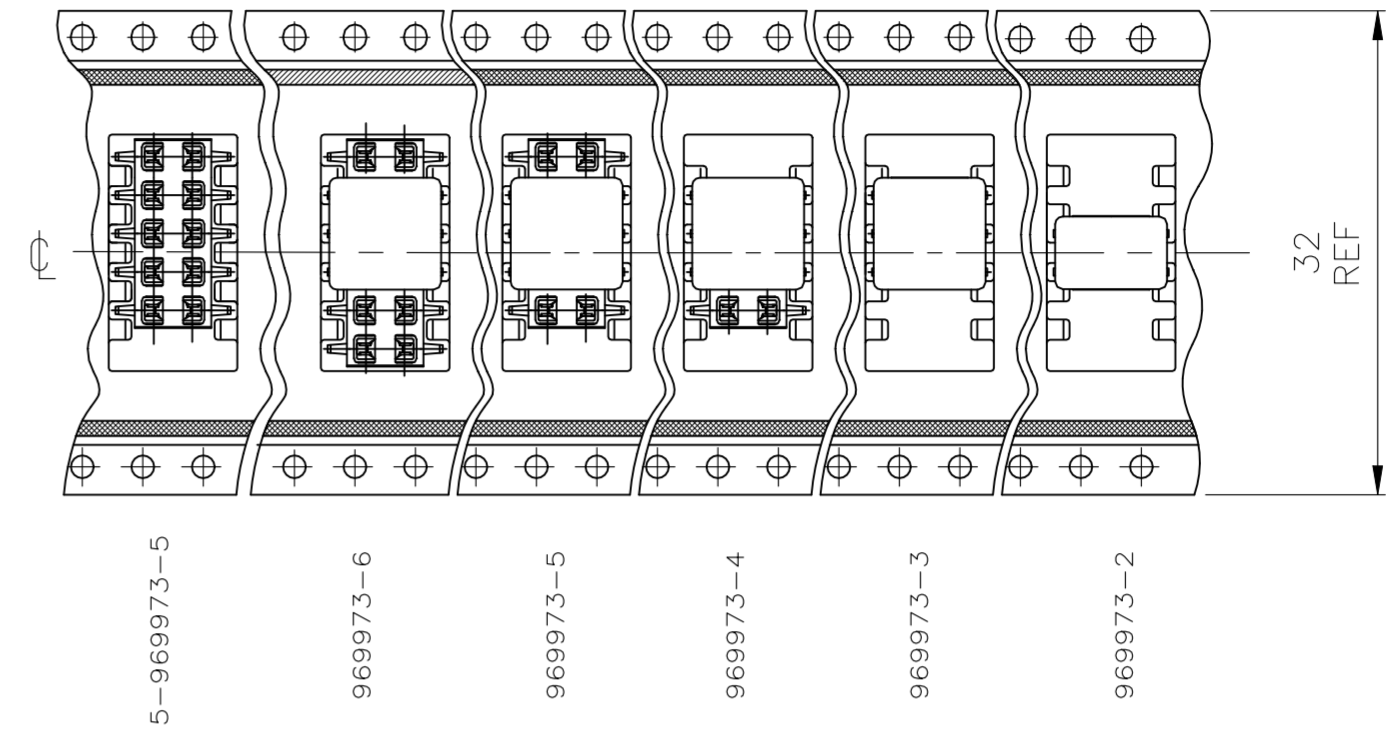
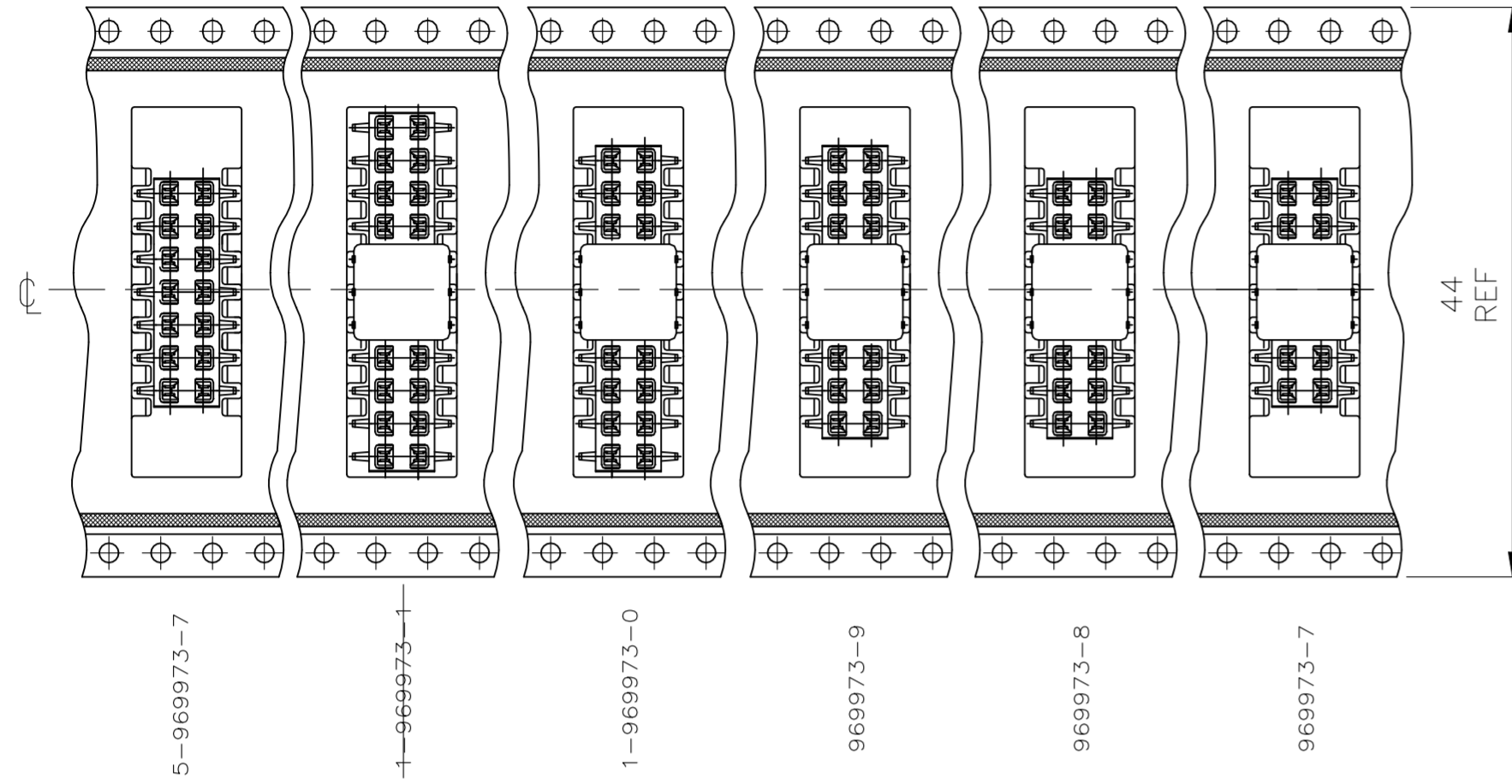
- NOTES:
- 1 SEE SHEET 1 OF 3
 - 2 PACKING: 600 CONNECTORS WITH ADAPTER PER REEL
7.8m BLISTER PER REEL
7.8m COVER TAPE PER REEL
 - 3 DIRECTION OF THE TOP OF THE REEL
 - 4 COVER TAPE WITH BLISTER BELT WELDED
 - 5 PACKING: 700 CONNECTORS WITH ADAPTER PER REEL
9m BLISTER PER REEL
9m COVER TAPE PER REEL
 - 6 PACKING: 700 CONNECTORS WITHOUT ADAPTER PER REEL
9m BLISTER PER REEL
9m COVER TAPE PER REEL
- BEMERKUNGEN:
- 1 SIEHE BLATT 1 VON 3
 - 2 VERPACKUNG: 600 BUCHSENSTECKER MIT ADAPTER PRO SPULE
7.8m BLISTER PRO SPULE
7.8m ABDECKFOLIE PRO SPULE
 - 3 ABWICKELRICHTUNG
 - 4 ABDECKFOLIE MIT BLISTERGURT VERSCHWEIßT
 - 5 VERPACKUNG: 700 BUCHSENSTECKER MIT ADAPTER PRO SPULE
9m BLISTER PRO SPULE
9m ABDECKFOLIE PRO SPULE
 - 6 VERPACKUNG: 700 BUCHSENSTECKER OHNE ADAPTER PRO SPULE
9m BLISTER PRO SPULE
9m ABDECKFOLIE PRO SPULE

THIS DRAWING IS A CONTROLLED DOCUMENT.

| | | | |
|-----------------------|---|-------------------------------|---------------------------|
| DIMENSIONS: mm | TOLERANCES UNLESS OTHERWISE SPECIFIED: 0 PLC ± 0.2 1 PLC ± 0.1 2 PLC ± 0.1 3 PLC ± - 4 PLC ± - ANGLES ± - | DWN M. STEIN 20-OCT-97 | TE Connectivity Ltd. |
| MATERIAL SEE TABLE | FINISH SEE TABLE | CHK F. REICHARDT 20-OCT-97 | NAME G. Feldmeier |
| | | APVD - | PRODUCT SPEC 108-19056 |
| | | | APPLICATION SPEC |
| | | WEIGHT | SIZE A2 |
| | | CUSTOMER DRAWING | CAGE CODE 00779 |
| | | | DRAWING NO C=969973 |
| | | | RESTRICTED TO |
| | | | SCALE 1:2 |
| | | | SHEET 2 OF 3 |
| | | | REV F |

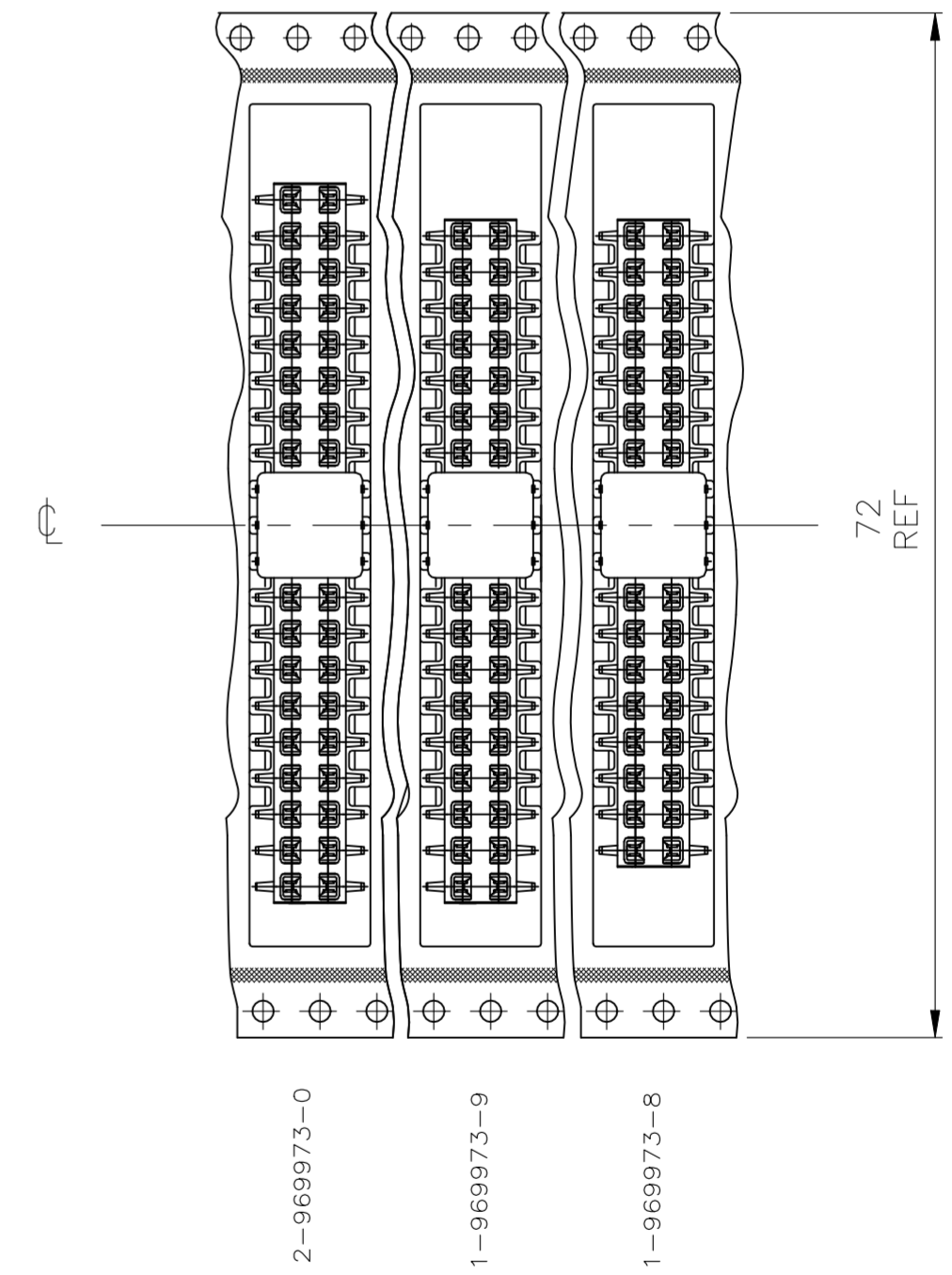
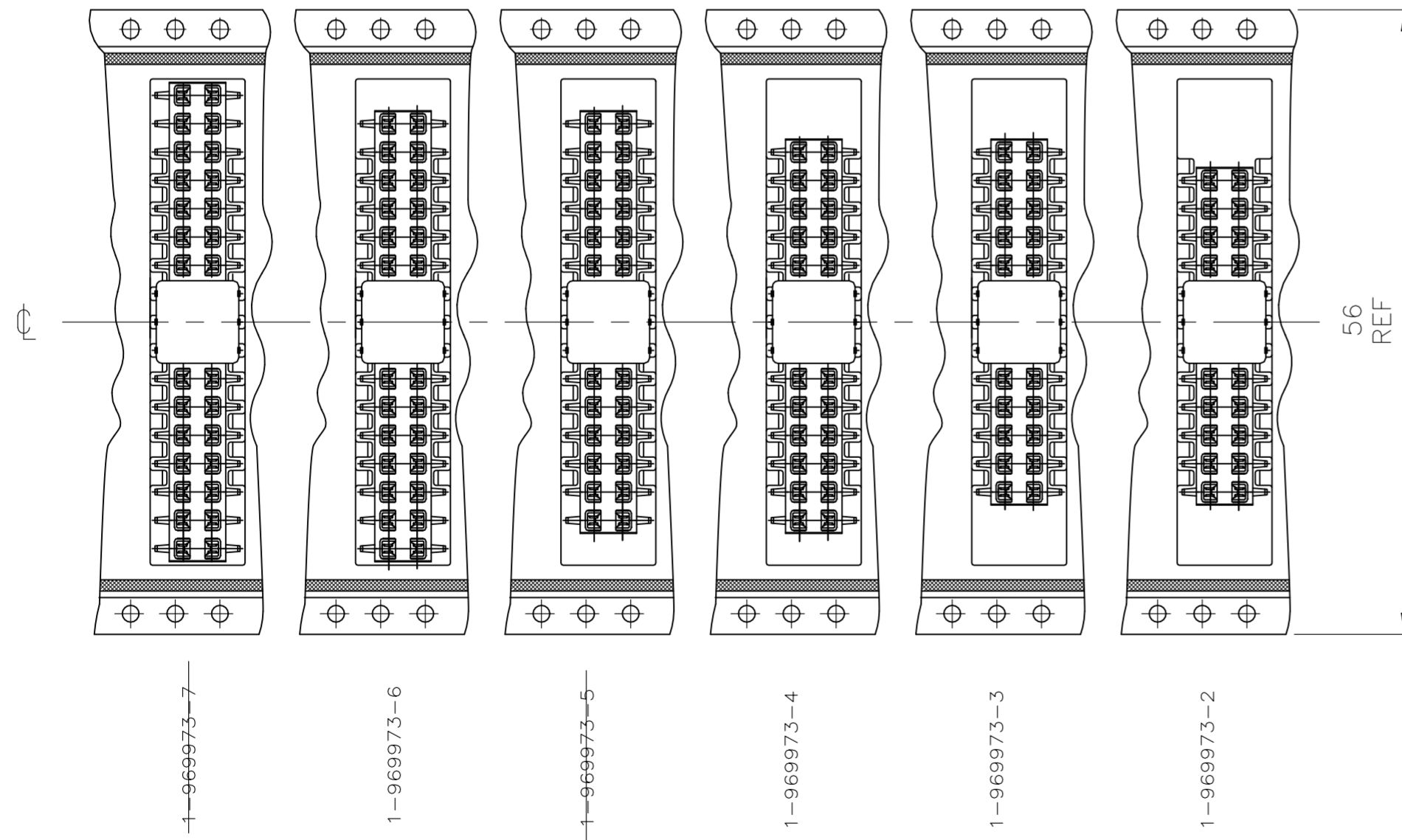
| REVISIONS | | | | | |
|-----------|-----|-------------|------|-----|------|
| P | LTR | DESCRIPTION | DATE | DWN | APVD |
| - | - | SEE SHEET 1 | - | - | - |

DETAIL X
EINZELHEIT X



ABWICKELRICHTUNG

 DIRECTION OF THE TOP
 OF THE REEL



| | | | | |
|---|--|--------------------------------------|--|-------------------------|
| THIS DRAWING IS A CONTROLLED DOCUMENT. | | DWN M. STEIN 20-OCT-97 | TE Connectivity Ltd. | |
| | | CHK F. REICHARDT 20-OCT-97 | | |
| DIMENSIONS: mm | | APVD G. Feldmeier PRODUCT SPEC | NAME HV100 REC. CONNECTOR, SMD, DOUBLE ROW WITH ADAPTER PACKED IN BLISTER BELT | |
| | | APPLICATION SPEC 108-19056 | SIZE A2 | RESTRICTED TO - |
| TOLERANCES UNLESS OTHERWISE SPECIFIED: 0 PLC ± 0.2 1 PLC ± 0.1 2 PLC ± 0.1 3 PLC ± - 4 PLC ± - ANGLES ± - FINISH | | WEIGHT | CAGE CODE 00779 | DRAWING NO. C=969973 |
| MATERIAL SEE TABLE | | CUSTOMER DRAWING | SCALE 1:2 | SHEET 3 OF 3 |
| | | | REV F | |