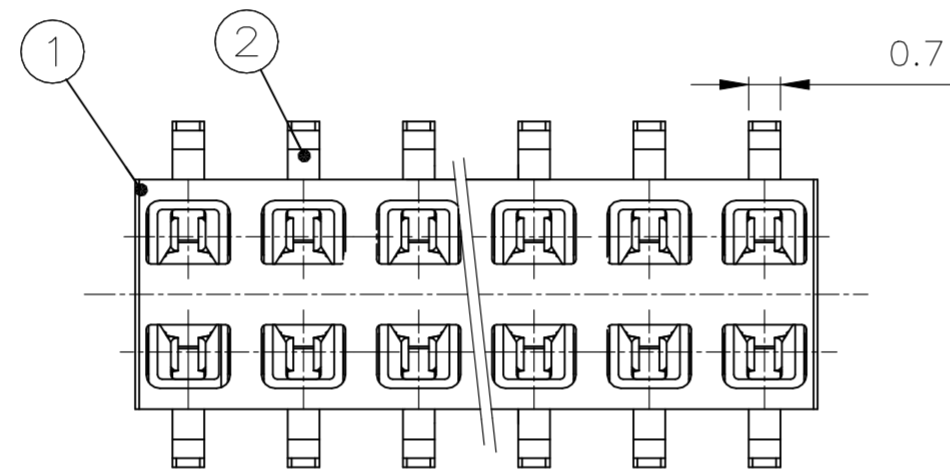
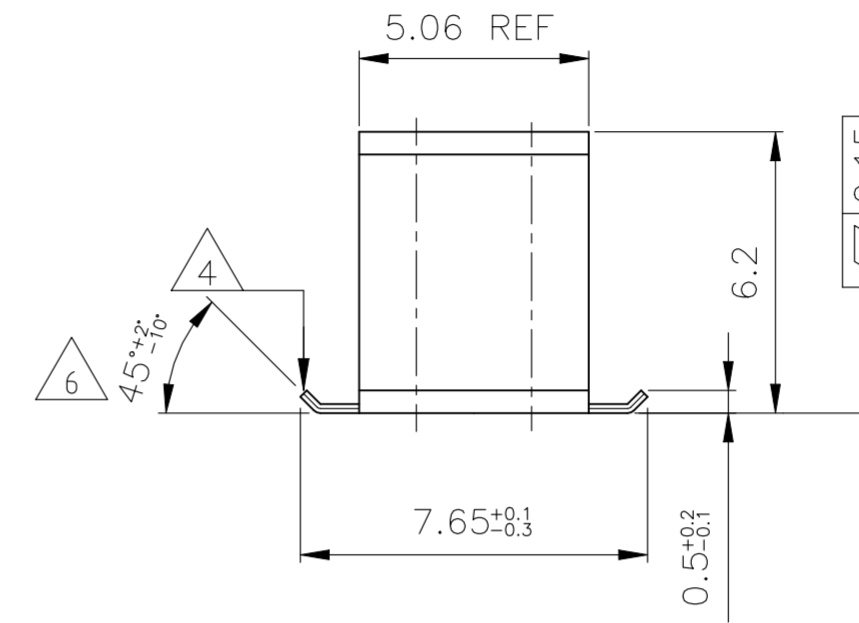
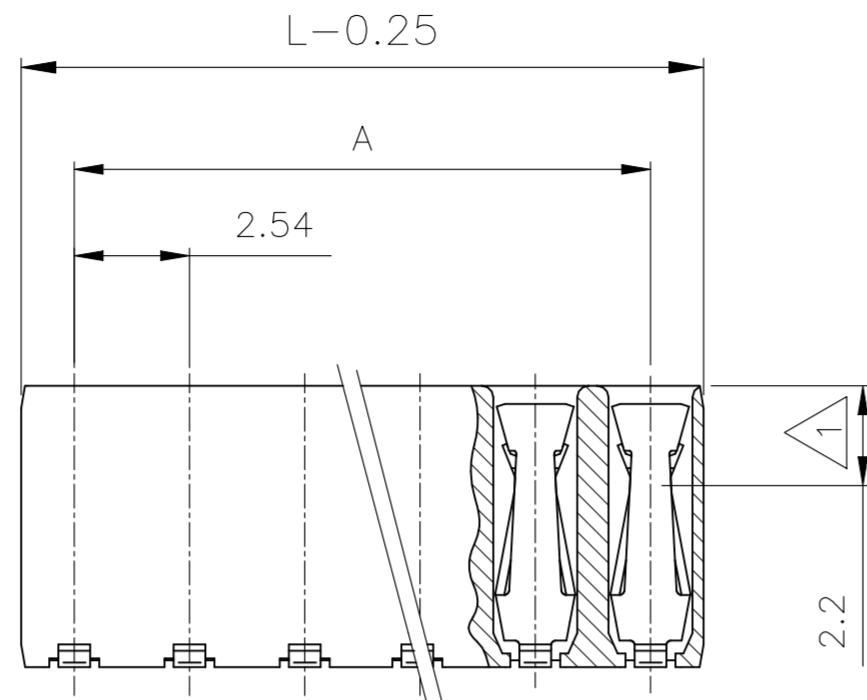
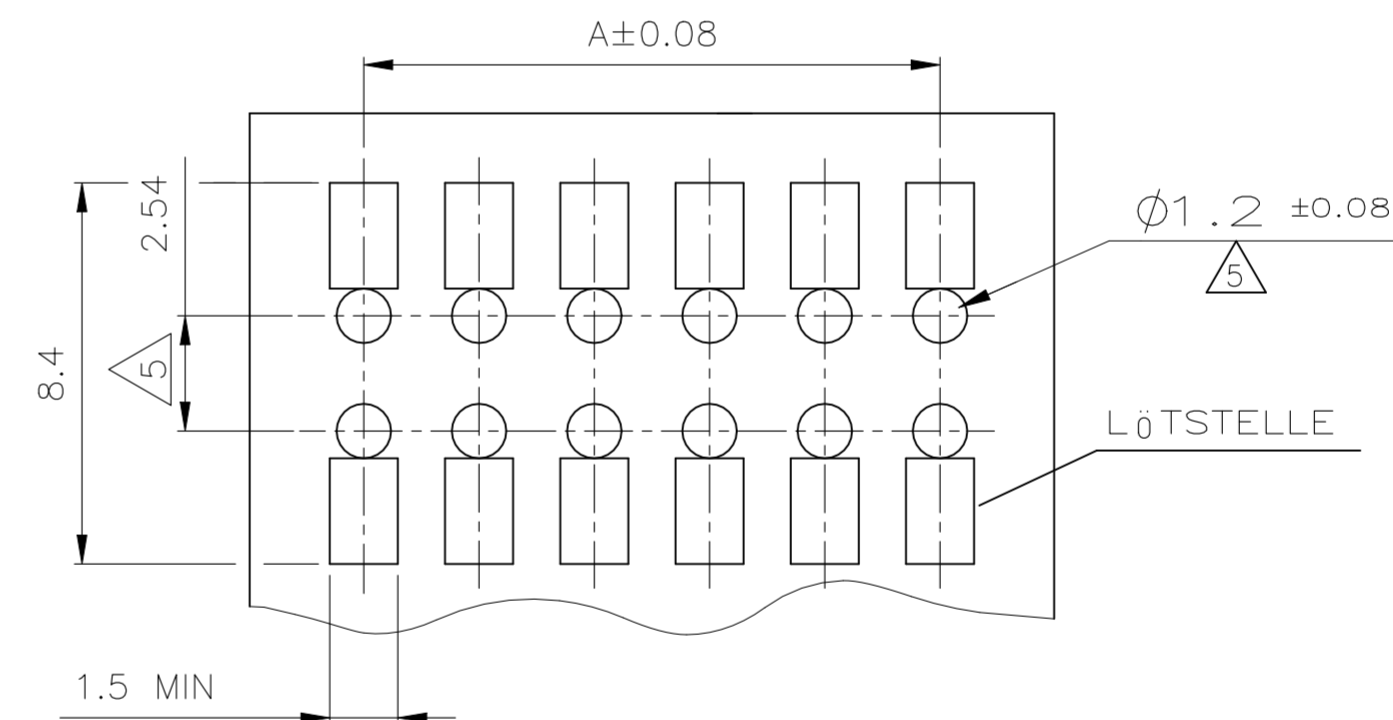


REVISIONS					
P	LTR	DESCRIPTION	DATE	DWN	APVD
E5		OBsolete THE PN 1-4,1-8 AND 1-9	13OCT2023	SP	KJK

Polz.	L _{-0.25}	A
-	-	-
2	4.88	2.54
3	7.42	5.08
4	9.96	7.62
5	12.5	10.16
6	15.04	12.7
7	17.58	15.24
8	20.12	17.78
9	22.66	20.32
10	25.2	22.86
11	27.24	25.4
12	30.28	27.94
13	32.82	30.48
14	35.36	33.02
15	37.90	35.56
16	40.44	38.10
17	42.98	40.64
18	45.52	43.18
19	48.06	45.72
20	50.60	48.26



EMPFOHLENES LEITERPLATTEN LAYOUT



NOTES:

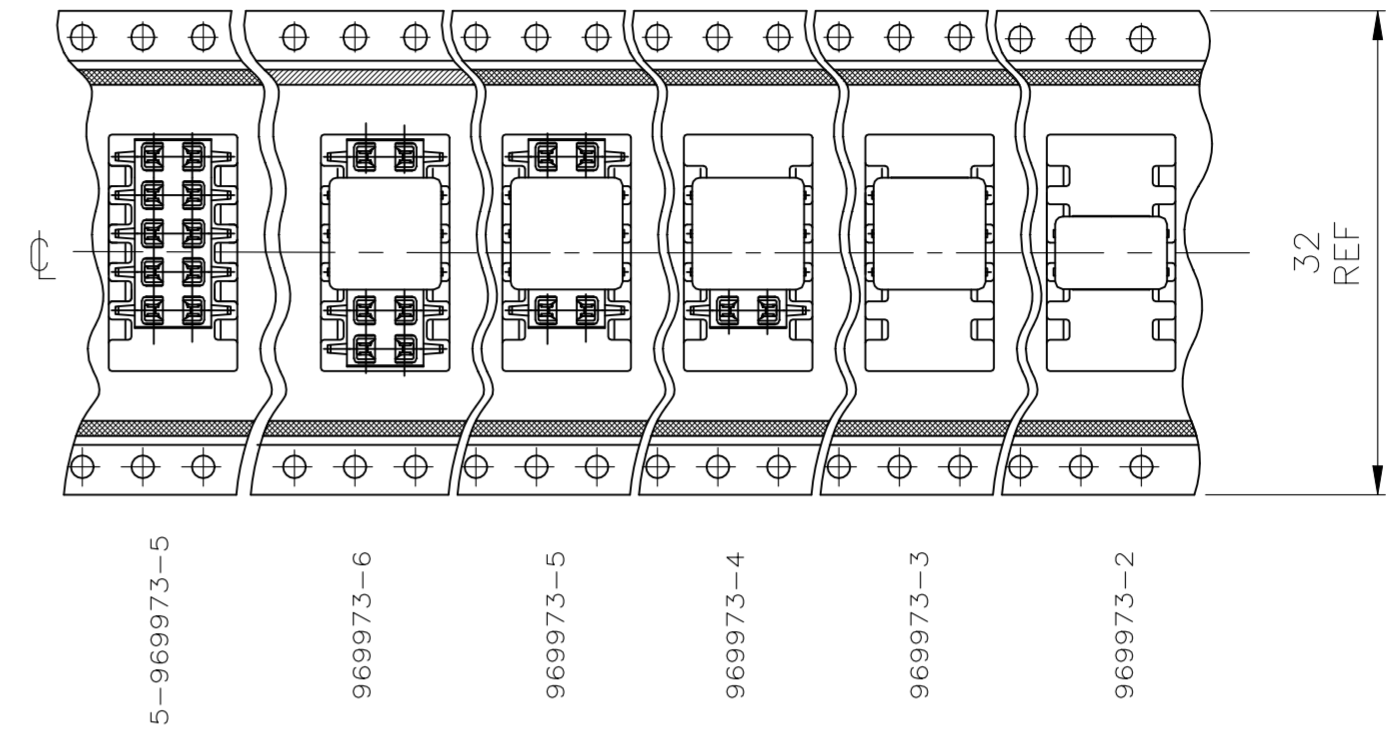
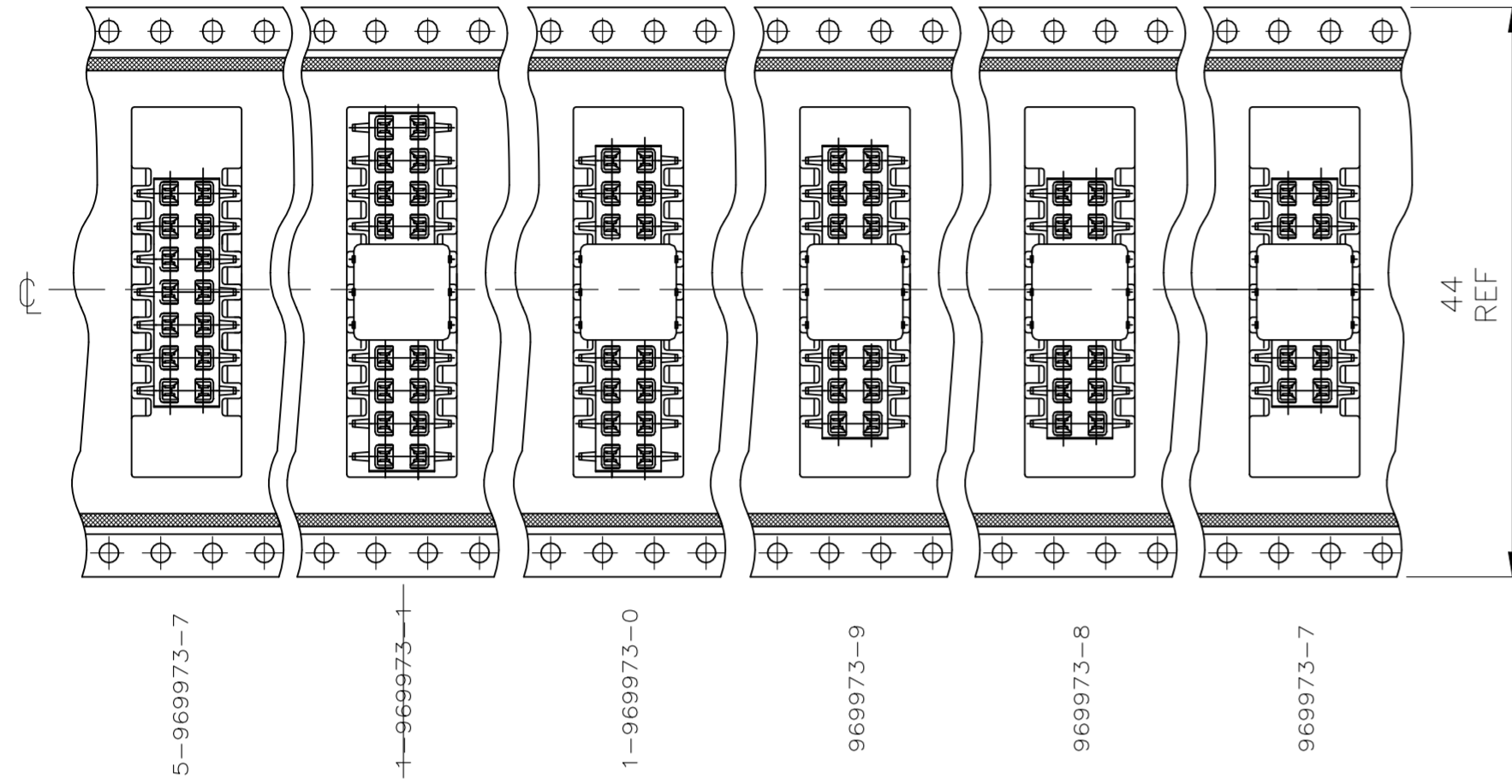
- 1 EDGE CONTACT
KONTAKTPUNKT
- 2 CONTACT RANGE: 0.8µm GOLD OVER 1.3µm Ni
SOLDERING RANGE: 2.5µm TIN OVER 1.3µm Ni
KONTAKTBEREICH: 0.8µm GOLD ÜBER 1.3µm Ni
LÖTBEREICH: 2.5µm ZINN ÜBER 1.3µm Ni
- 3 CAN BE PLUGGED IN WITH MODU II PINS Ø0.63 OR □0.63 TOP OR BOTTOM ENTRY.
STECKBAR MIT MODU II STIFTEN Ø0.63 ODER □0.63
TOP ODER BOTTOM ENTRY.
- 4 PLANE OF SECTION BLANK
SCHNITTFLÄCHE BLANK
- 5 ONLY WITH THE BOTTOM ENTRY
NUR BEI BOTTOM ENTRY
- 6 BEND ANGLE WILL BE 80°±5° WHEN PRODUCED AT DIFFERENT EQUIPMENT
(SEMI-AUTOMATIC) DUE TO CAPACITY OR MIX OF LOAD.

2	-	HV 100 KONTAKT / HV 100 CONTACT	Cu Sn	2	
1	-	HV 100 GEHÄUSE / HV 100 HOUSING	LCP	1	
POS.	STÜCK / PIECE	BENENNUNG EINZELTEIL PART DESCRIPTION	WERKSTOFF MATERIAL	OBERFLÄCHE / FARBE SURFACE / COLOR	SI No

THIS DRAWING IS A CONTROLLED DOCUMENT.		DWN M. STEIN 20-OCT-97	TE Connectivity Ltd.	
DIMENSIONS: mm		CHK F. REICHARDT 20-OCT-97		
TOLERANCES UNLESS OTHERWISE SPECIFIED:		APVD G. Feldmeier	NAME	
		PRODUCT SPEC 108-19056	HV100 REC. CONNECTOR, SMD, DOUBLE ROW WITH ADAPTER PACKED IN BLISTER BELT	
MATERIAL SEE TABLE		FINISH SEE TABLE	WEIGHT -	SIZE A2
		CAGE CODE 00779		DRAWING NO C=969973
		CUSTOMER DRAWING		RESTRICTED TO -
		SCALE 1:2		SHEET 1 OF 4
				REV E5

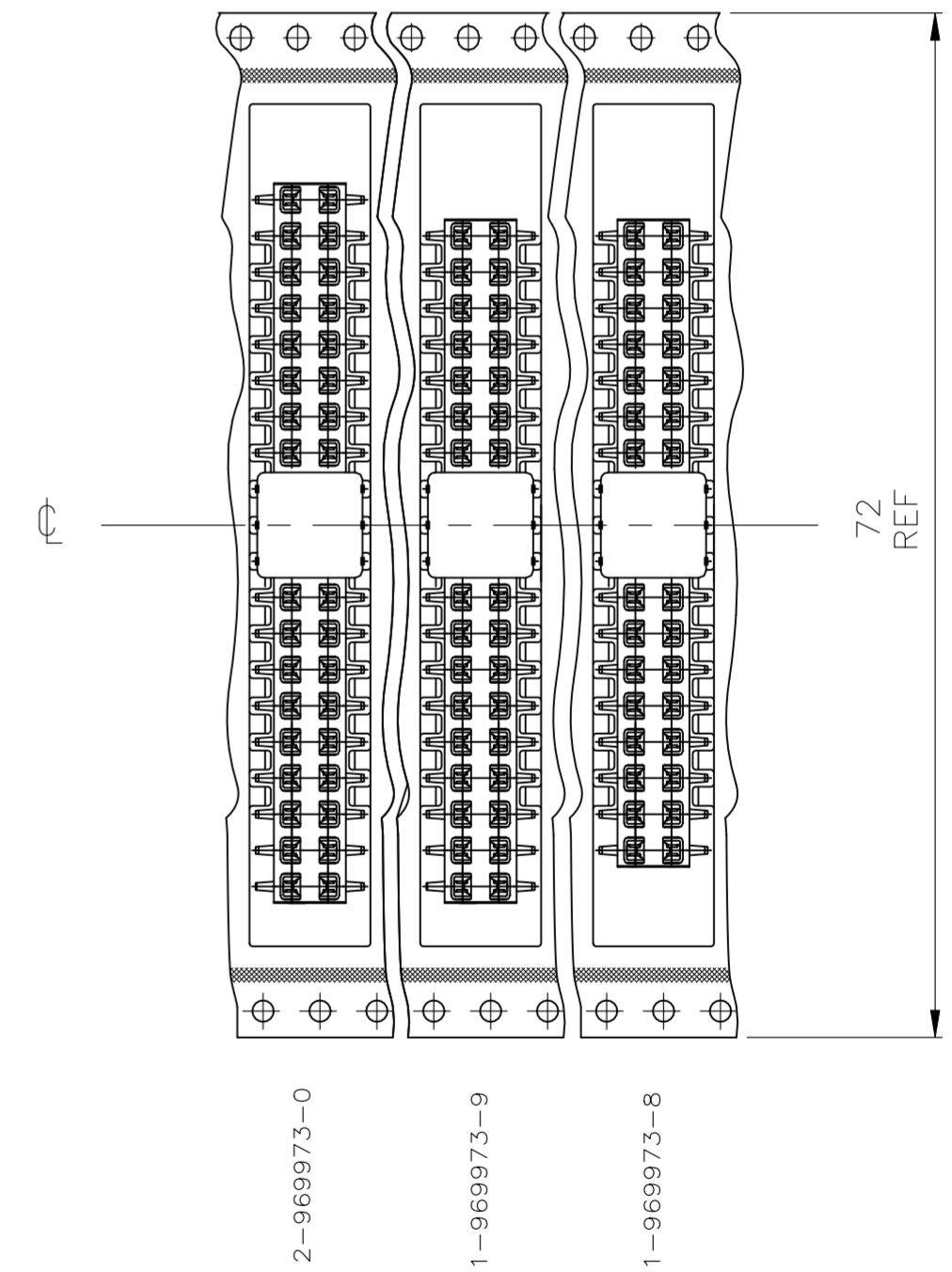
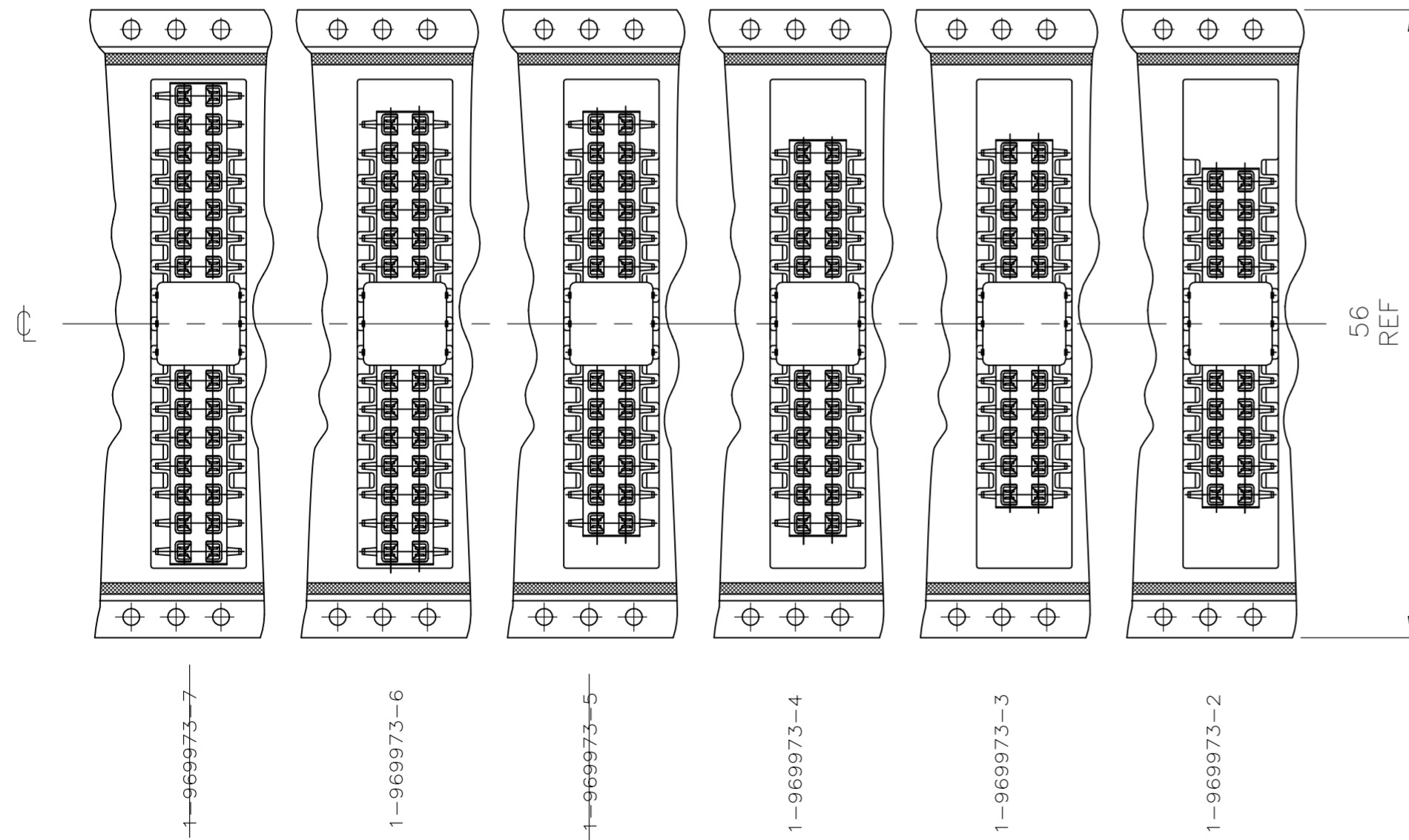
REVISIONS					
P	LTR	DESCRIPTION	DATE	DWN	APVD
-	-	SEE SHEET 1	-	-	-

DETAIL X
EINZELHEIT X



ABWICKELRICHTUNG

 DIRECTION OF THE TOP
 OF THE REEL



THIS DRAWING IS A CONTROLLED DOCUMENT.		DWN M. STEIN 20-OCT-97	TE Connectivity Ltd.	
		CHK F. REICHARDT 20-OCT-97		
DIMENSIONS: mm		APVD G. Feldmeier PRODUCT SPEC	NAME HV100 REC. CONNECTOR, SMD, DOUBLE ROW WITH ADAPTER PACKED IN BLISTER BELT	
		APPLICATION SPEC 108-19056	SIZE A2	RESTRICTED TO -
TOLERANCES UNLESS OTHERWISE SPECIFIED: 0 PLC ± 0.2 1 PLC ± 0.1 2 PLC ± 0.1 3 PLC ± - 4 PLC ± - ANGLES ± - FINISH		WEIGHT	CAGE CODE 00779	DRAWING NO C=969973
MATERIAL SEE TABLE		CUSTOMER DRAWING	SCALE 1:2	SHEET 3 OF 4
			REV E5	