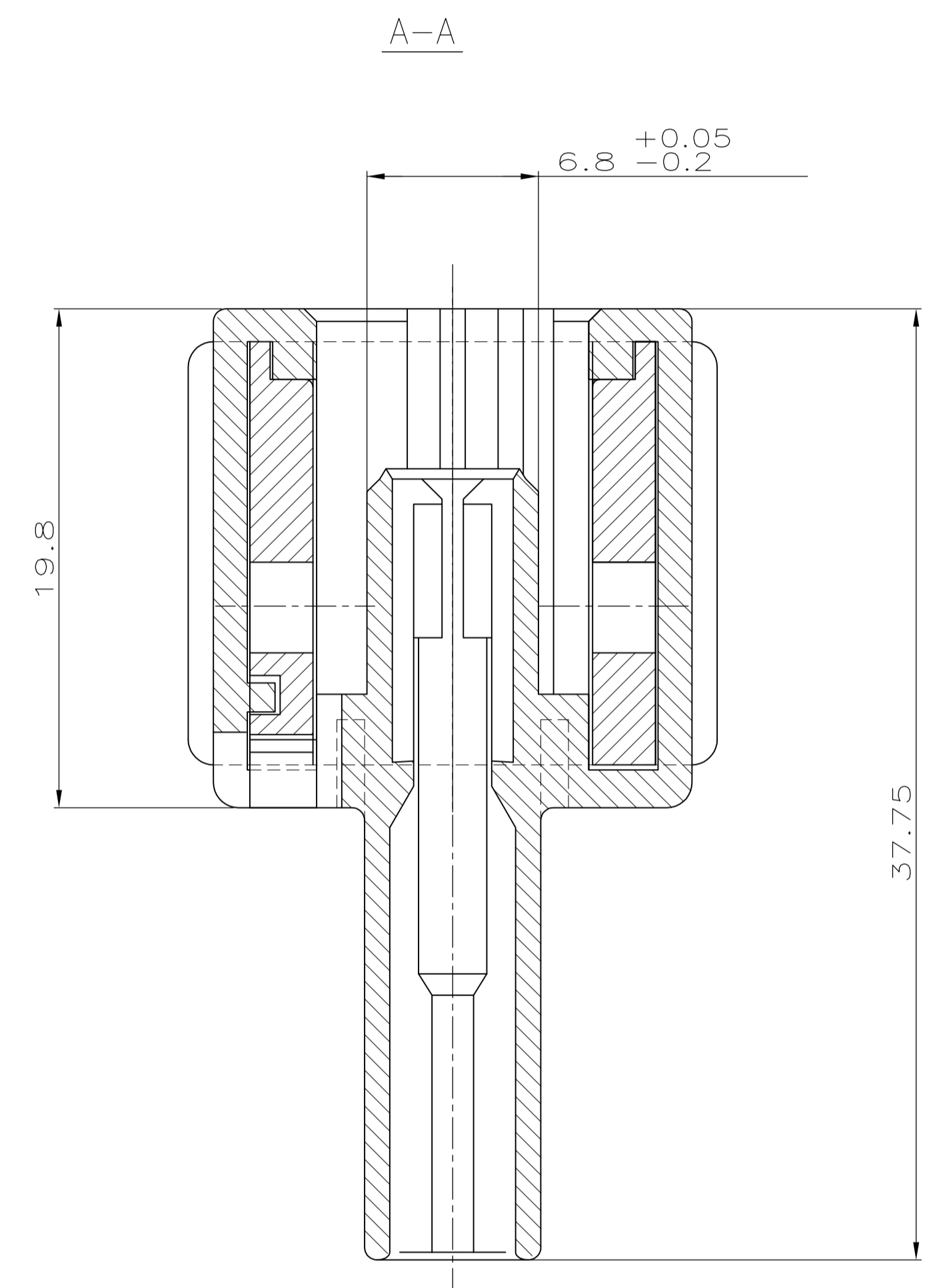


1 FOR Au-VERSION OF CONTACT USE
 1-XXXXXXX-1

2 WATERTIGHTNESS ACC. GMI 12590; 5.10.
 FURTHER INFORMATIONS SEE PRODUCT-SPECIFICATION: 108-18102-1/...-9



JPT	▲ 0-0929937-1	1.5 - 2.5	CuFe 2	TINNED	0-0828905-1	WHITE	IPx 9K
JPT	▲ 0-0929939-1	0.75 - 1.0	CuFe 2	TINNED	0-0828904-1	LIGHT BLUE	IPx 9K
JPT	▲ 0-0929939-1	0.5	CuFe 2	TINNED	0-0963294-1	BLUE	IPx 9K
JPT	▲ 0-0929941-1	0.35	CuFe 2	TINNED	0-0963294-1	BLUE	IPx 9K
CONTACT-SYSTEM	STRIP ORDER-NO.	WIRE SIZE [mm ²]	MATERIAL	FINISH	SINGLE WIRE SEAL	COLOR	WATER-TIGHTNESS

CUSTOMER PART NO.	PART NO.	REV.	PCS.	MATERIAL	SURFACE COLOR	DESCRIPTION	ITEM NO.
-	3-967239-1		1	PBT 30% GV	rot	Schieber	3
-	2-967239-1		1	PBT 30% GV	blau	JPT-Gehäuse, 2-polig	4
-	2-967239-1		1	PBT 30% GV	rot	Schieber	3
-	1-967239-1		1	PBT 30% GV	grau	JPT-Gehäuse, 2-polig	2
-	1-967239-1		1	PBT 30% GV	rot	Schieber	3
-	1-967239-1		1	PBT 30% GV	schwarz	JPT-Gehäuse, 2-polig	1

THIS DRAWING IS A CONTROLLED DOCUMENT.
 DIESE ZEICHNUNG IST EIN KONTROLLIERTES DOKUMENT.

DIMENSIONS: MASSEINHEITEN: mm

DATE: 24.09.93
 S. Garcia
 28.09.93
 A. Machill

PRODUCT SPEC: 108-18102-9
 APPLICATION SPEC: 114-18175

WEIGHT: -
 GEWICHT: -

CUSTOMER DRAWING / KUNDENZEICHNUNG

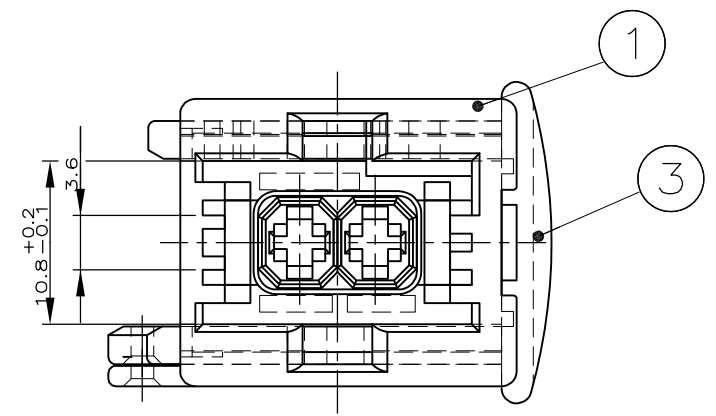
SCALE: MASSSTAB 5:1
 SHEET: BLATT 1 OF 2
 REV: F5

STE TE Connectivity

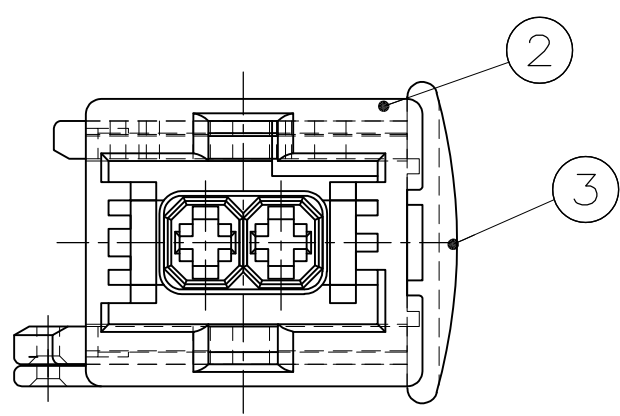
JPT-Gehäuse, 2-polig

THIS DRAWING IS UNPUBLISHED. VERTRAULICHE UNVERÖFFENTLICHTE ZEICHNUNG
 RELEASED FOR PUBLICATION FREI FUER VERÖFFENTLICHUNG
 MATED WITH: PASSEND ZU: —
 LOC AI DIST —
 REVISIONS AENDERUNGEN
 DESCRIPTION BESCHREIBUNG
 DATE DWN APVD
 PROJECT NR.: — SEE SHEET 1

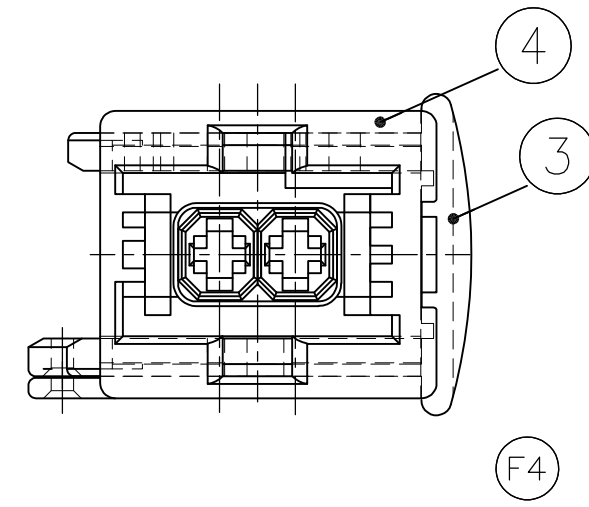
KODIERUNG A1



KODIERUNG B1



KODIERUNG C1



CUSTOMER PART NO	PART NO	REV.	PCS.	MATERIAL	SURFACE COLOR	DESCRIPTION	ITEM NO
—	—	—	—	—	—	—	—
—	—	—	—	—	—	—	—
—	—	—	—	—	—	—	—
—	—	—	—	—	—	—	—

THIS DRAWING IS A CONTROLLED DOCUMENT. DIESE ZEICHNUNG IST EIN KONTROLLIERTES DOKUMENT.

DIMENSIONS: MASSE/NEHTEN: mm

TOLERANCES UNLESS OTHERWISE SPECIFIED: ALLGEMEINTOLERANZEN
 n. ISO 2768-MS-E
 n. DIN 4091-10-F

0 PLC	± 0.3
1 PLC	± 0.3
2 PLC	± 0.3
3 PLC	±
4 PLC	±
ANGLES / WINKEL	± 1°

MATERIAL: — FINISH/OBERFLAECHE/FARBE: —

DWN S. Garcia 24.09.93
 CHK A. Machill 28.09.93
 APVD —

NAME: JPT-Gehaeuse, 2-polig

PRODUCT SPEC: —
 APPLICATION SPEC: —

SIZE: A3 CAGE CODE: 00779 DRAWING NO: C-967239 RESTRICTED TO NUR FUER: —

CUSTOMER DRAWING/KUNDENZEICHNUNG SCALE: MASSTAB 2:1 SHEET: BLATT 2 OF 2 VON 2 REV: F5