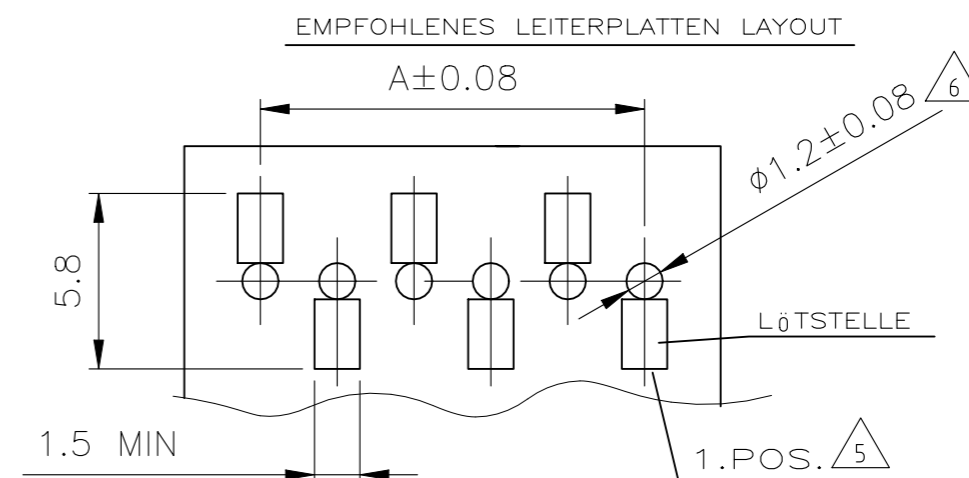
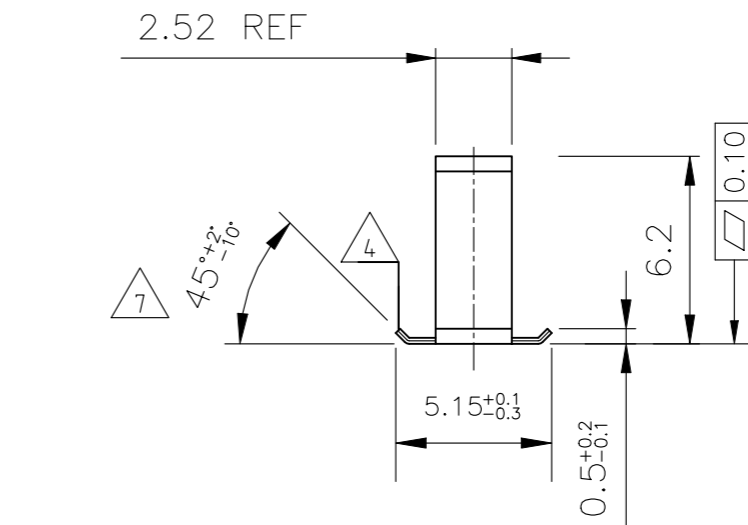
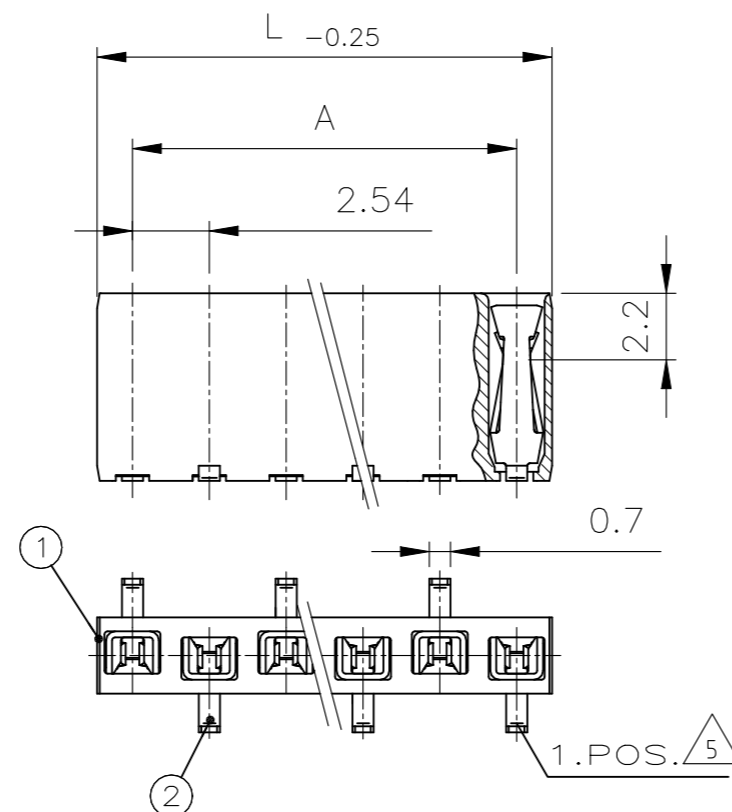


Polz.	L _{-0.25}	A
-	-	-
-	-	-
3	7.88	5.08
4	10.42	7.62
5	12.96	10.16
6	15.50	12.7
7	18.04	15.24
8	20.58	17.78
9	23.12	20.32
10	25.66	22.86
11	28.20	25.4
12	30.74	27.94

P	LTR	DESCRIPTION	DATE	DWN	APVD
T		RESIN SUPPLIER CHANGE FOR THE HOUSING	15DEC2021	SCB	KJK



1 EDGE CONTACT
KONTAKTPUNKT

2 CONTACT RANGE: 0.8µm GOLD OVER 1.3µm Ni
SOLDERING RANGE: 2.5µm TIN OVER 1.3µm Ni
KONTAKTBEREICH: 0.8µm GOLD ÜBER 1.3µm Ni
LÖTBEREICH: 2.5µm ZINN ÜBER 1.3µm Ni

3 CAN BE PLUGGED IN WITH MODU II PINS Ø0.63 OR □0.63
TOP OR BOTTOM ENTRY.
STECKBAR MIT MODU II STIFTEN Ø0.63 ODER □0.63
TOP ODER BOTTOM ENTRY.

4 PLANE OF SECTION BLANK
SCHNITTFLÄCHE BLANK

5 SITUATION OF THE FIRST CONTACT ATTENTION.
LAGE DES 1. KONTAKTS BEACHTEN

6 ONLY WITH THE BOTTOM ENTRY
NUR BEI BOTTOM ENTRY

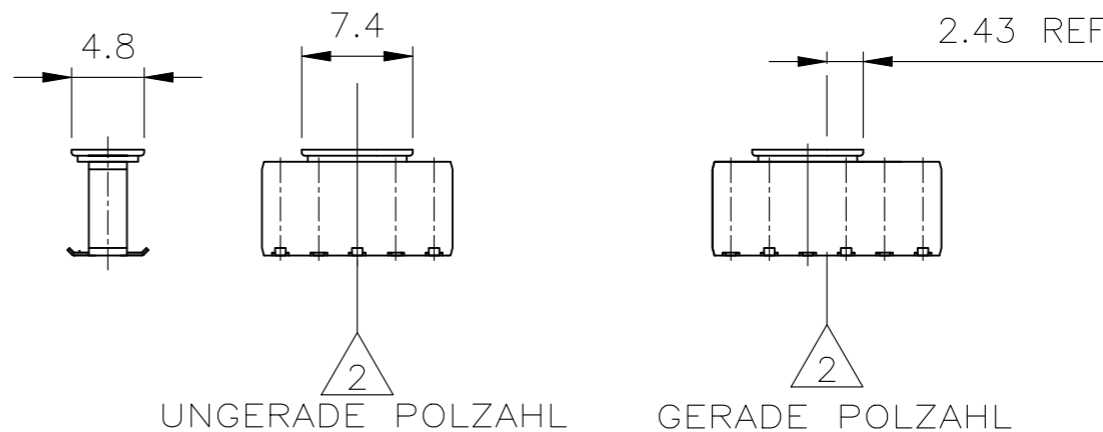
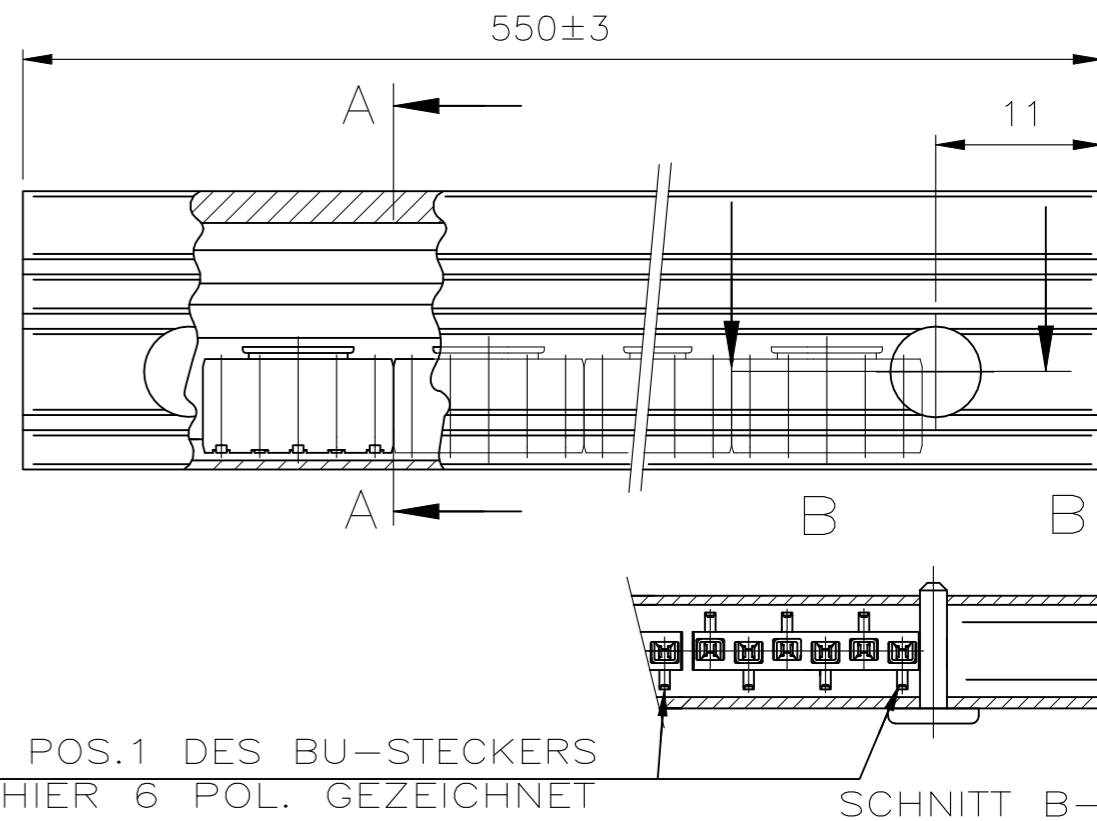
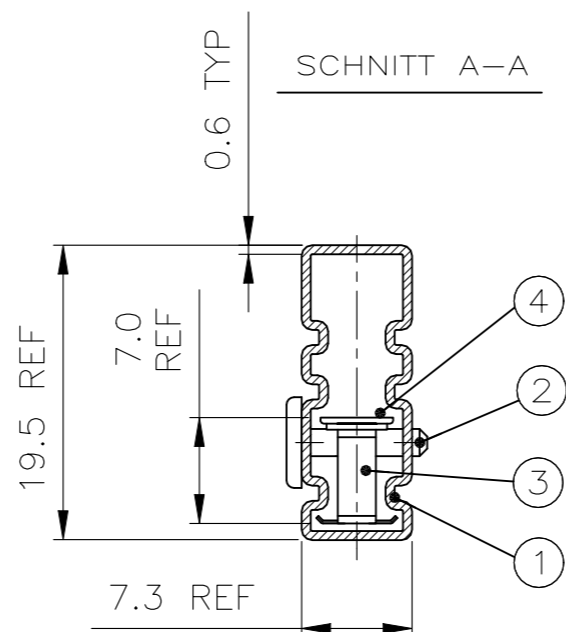
7 BEND ANGLE WILL BE 80°±5° WHEN PRODUCED AT
DIFFERENT EQUIPMENT (SEMI-AUTOMATIC) DUE TO
CAPACITY OR MIX OF LOAD.

POS.	STÜCK / PIECE	BENENNUNG EINZELTEIL PART DESCRIPTION	WERKSTOFF MATERIAL	OBERFLÄCHE / FARBE SURFACE / COLOR	SI No
2	-	HV 100 KONTAKT / HV 100 CONTACT	Cu Sn		2
1	-	HV 100 GEHÄUSE / HV 100 HOUSING	LCP	SCHWARZ / BLACK	1

THIS DRAWING IS A CONTROLLED DOCUMENT.		DWN A.HO 06.02.95	TE Connectivity Ltd.														
		CHK M.SCHAARSCHMIDT 06.02.95															
DIMENSIONS: mm		TOLERANCES UNLESS OTHERWISE SPECIFIED: TOL ± 0.2		NAME HV100 RECEPTACLE CONNECTOR, SMD, SINGLE ROW, TUBE PACKAGING													
		<table border="1"> <tr><td>0 PLC</td><td>±</td></tr> <tr><td>1 PLC</td><td>± -</td></tr> <tr><td>2 PLC</td><td>± -</td></tr> <tr><td>3 PLC</td><td>± -</td></tr> <tr><td>4 PLC</td><td>± -</td></tr> <tr><td>ANGLES</td><td>± 3°</td></tr> </table>		0 PLC	±	1 PLC	± -	2 PLC	± -	3 PLC	± -	4 PLC	± -	ANGLES	± 3°	PRODUCT SPEC 108-19056	
0 PLC	±																
1 PLC	± -																
2 PLC	± -																
3 PLC	± -																
4 PLC	± -																
ANGLES	± 3°																
MATERIAL SEE TABLE		FINISH SEE TABLE		APPLICATION SPEC -													
		WEIGHT -		SIZE A3	CAGE CODE 00779												
		CUSTOMER DRAWING		DRAWING NO C-966657	RESTRICTED TO -												
		SCALE 2:1		SHEET 1 OF 2	REV T												

REVISIONS					
P	LTR	DESCRIPTION	DATE	DWN	APVD
-	-	SEE SHEET 1	-	-	-

- 1 HV 100 SOCKET PLUG, SMD SEE SHEET 1 OF 2
HV100 BUCHSENSTECKER SMD SIEHE BLATT 1 VON 2
- 2 CENTER LINE OF SOCKET PLUG
MITTELLINIE DES BUCHSENSTECKERS
- 3 SEE TABLE
SIEHE TABELLE
- 4 OBSOLETE



4	4		4	4		4						
17	18	20	23	25	29	34	40	50	66	ADAPTER F. SAUGPIPETTE	4	
17	-	-	-	-	-	-	-	-	-	12 POL. BUCHSENSTECKER 12 POS. SOCKET PLUG	3	
-	18	-	-	-	-	-	-	-	-	11 POL. BUCHSENSTECKER 11 POS. SOCKET PLUG	3	
-	-	20	-	-	-	-	-	-	-	10 POL. BUCHSENSTECKER 10 POS. SOCKET PLUG	3	
-	-	-	23	-	-	-	-	-	-	9 POL. BUCHSENSTECKER 9 POS. SOCKET PLUG	3	
-	-	-	-	25	-	-	-	-	-	8 POL. BUCHSENSTECKER 8 POS. SOCKET PLUG	3	
-	-	-	-	-	29	-	-	-	-	7 POL. BUCHSENSTECKER 7 POS. SOCKET PLUG	3	
-	-	-	-	-	-	34	-	-	-	6 POL. BUCHSENSTECKER 6 POS. SOCKET PLUG	3	
-	-	-	-	-	-	-	40	-	-	5 POL. BUCHSENSTECKER 5 POS. SOCKET PLUG	3	
-	-	-	-	-	-	-	-	50	-	4 POL. BUCHSENSTECKER 4 POS. SOCKET PLUG	3	
-	-	-	-	-	-	-	-	-	66	3 POL. BUCHSENSTECKER 3 POS. SOCKET PLUG	3	
2	2	2	2	2	2	2	2	2	2	VERSCHLUß-STIFT	2	
1	1	1	1	1	1	1	1	1	1	VERPACKUNGSRÖHR PACKING PIPE	1	
1-2	1-1	1-0	-9	-8	-7	-6	-5	-4	-3			

BESTELL-NR	POS.	STÜCK / PIECE	BENENNUNG EINZELTEIL PART DESCRIPTION	WERKSTOFF MATERIAL	OBERFLÄCHE / FARBE SURFACE / COLOR	SI No
	4	3	ADAPTER	PCT-GV	SCHWARZ / BLACK	4
S.TABELLE SEE TABLE	3	3	HV 100 BUCHSENST, SMD	1	1	3
	2	2	VERSCHL. STIFT / LOCKS PIN	PP	ROT / RED	2
	1	1	VERPACKUNGSRÖHR / PACKING PIPE	ANTI-STATISCH	TRANSPAR.	1

THIS DRAWING IS A CONTROLLED DOCUMENT.

DWN A.HO 06.02.95
CHK M.SCHAARSCHMIDT 06.02.95
APVD -

PRODUCT SPEC 108-19056
APPLICATION SPEC -

NAME HV100 RECEPTACLE CONNECTOR, SMD, SINGLE ROW, TUBE PACKAGING

SIZE A3 CAGE CODE 00779 DRAWING NO C-966657 RESTRICTED TO -

MATERIAL SEE TABLE FINISH SEE TABLE

WEIGHT -

CUSTOMER DRAWING SCALE 2:1 SHEET 2 OF 2 REV T