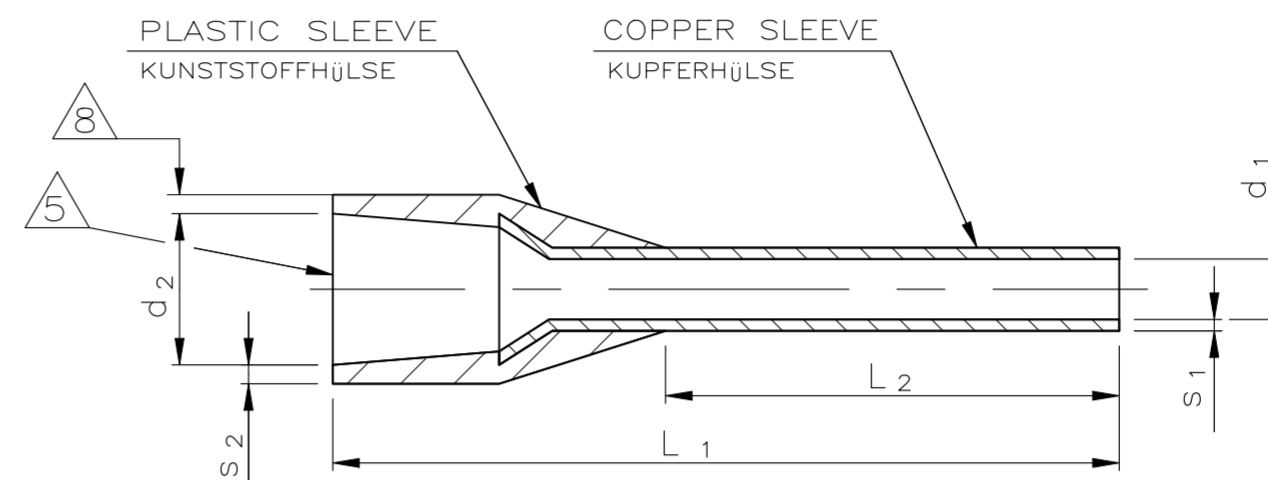


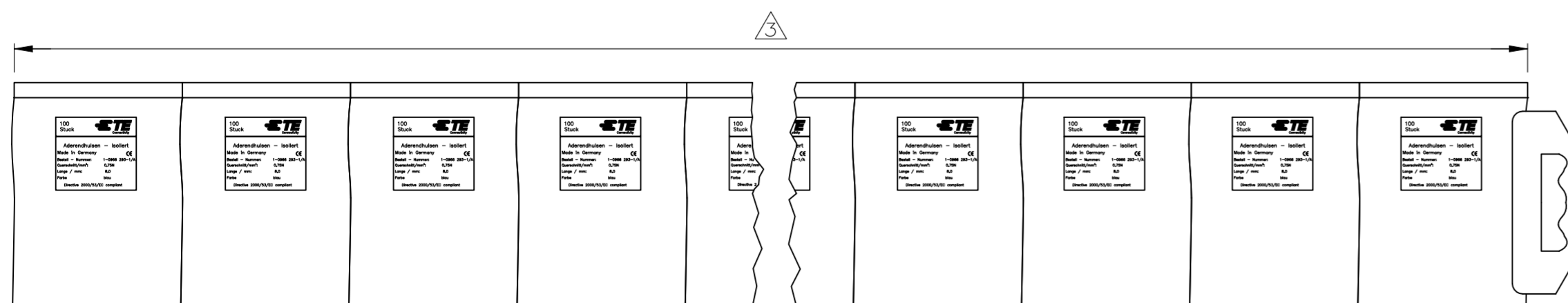
P	LTR	DESCRIPTION	DATE	DWN	APVD
A7		REVISED PER ECR-23-166943	03MAR2023	BB	DSC

PART NO. BESTELL-NR.	SIZE		RECOMMENDED STRIP LENGTH ABISOLIER-LÄNGE /mm	MINIMUM PULL-OUT STRENGTH SLEEVE STRAND CONDUCTOR /N	COLOUR FARBE △4	d ₁ /mm	d ₂ /mm	l ₁ /mm	l ₂ /mm	s ₁ /mm	s ₂ /mm	COLOR TYPE △4	PACKAGE QTY VERPACKUNGSEINHEIT PIECES PER STRIP STÜCK PRO STREIFEN
	mm ²	AWG △1											
966 293-5	0.34	22	8.5+0.2	15	GREEN GRÜN	0.8 +0.14	2.0 ±0.2	10 ±1.5	6 ±0.4	0.15 ±0.05	0.25 ±0.1	1	1000
966 293-6	0.34	22	10.5+0.2	15	GREEN GRÜN	0.8 +0.14	2.0 ±0.2	12 ±1.5	8 ±0.4	0.15 ±0.05	0.25 ±0.1	1	1000
966 293-9	0.50	20	12.5+0.2	20	WHITE WEISS	1.0 +0.14	2.6 ±0.2	16 ±1.5	10 ±0.4	0.15 ±0.05	0.25 ±0.1	DIN/1	1000
1-966 293-0	0.75	18	8.5+0.2	30	BLUE BLAU	1.2 +0.14	2.8 ±0.2	12 ±1.5	6 ±0.4	0.15 ±0.05	0.25 ±0.1	1	1000
1-966 293-1	0.75	18	10.5+0.2	30	BLUE BLAU	1.2 +0.14	2.8 ±0.2	14 ±1.5	8 ±0.4	0.15 ±0.05	0.25 ±0.1	1	1000
1-966 293-3	0.75	18	14.5+0.2	30	BLUE BLAU	1.2 +0.14	2.8 ±0.2	18 ±1.5	12 ±0.6	0.15 ±0.05	0.25 ±0.1	1	1000
1-966 293-5	1.00	18	10.5+0.2	35	RED ROT	1.4 +0.14	3.0 ±0.2	14 ±1.5	8 ±0.4	0.15 ±0.05	0.25 ±0.1	DIN/1	1000
1-966 293-7	1.00	18	14.5+0.2	35	RED ROT	1.4 +0.14	3.0 ±0.2	18 ±1.5	12 ±0.6	0.15 ±0.05	0.25 ±0.1	DIN/1	1000
1-966 293-8	1.50	16	10.5+0.2	40	BLACK SCHWARZ	1.7 +0.25	3.5 ±0.2	14 ±1.5	8 ±0.4	0.15 ±0.05	0.25 ±0.1	DIN/1	1000
2-966 293-0	1.50	16	20.5+0.2	40	BLACK SCHWARZ	1.7 +0.25	3.5 ±0.2	24 ±2.0	18 ±0.6	0.15 ±0.05	0.25 ±0.1	DIN/1	1000
2-966 293-1	2.50	14	10.5+0.2	50	GREY GRAU	2.2 +0.25	4.2 ±0.2	14 ±1.5	8 ±0.4	0.15 ±0.05	0.25 ±0.1	1	1000
2-966 293-2	2.50	14	14.5+0.2	50	GREY GRAU	2.2 +0.25	4.2 ±0.2	18 ±1.5	12 ±0.6	0.15 ±0.05	0.25 ±0.1	1	1000
2-966 293-3	2.50	14	20.5+0.2	50	GREY GRAU	2.2 +0.25	4.2 ±0.2	24 ±2.0	18 ±0.6	0.15 ±0.05	0.25 ±0.1	1	1000
2-966 293-4	4.00	12	12.5+0.2	60	ORANGE ORANGE	2.8 +0.25	4.8 ±0.4	17 ±1.5	10 ±0.4	0.20 ±0.05	0.30 ±0.1	1	1000
2-966 293-5	4.00	12	14.5+0.2	60	ORANGE ORANGE	2.8 +0.25	4.8 ±0.4	20 ±1.5	12 ±0.6	0.20 ±0.05	0.30 ±0.1	1	1000
2-966 293-6	4.00	12	20.5+0.2	60	ORANGE ORANGE	2.8 +0.25	4.8 ±0.4	26 ±2.0	18 ±0.6	0.20 ±0.05	0.30 ±0.1	1	1000



- △1 THE AWG CROSS-SECTION CAN DIFFER SLIGHTLY FROM THE DIN-STANDARD CROSS-SECTION VALUES.
- 2 NOTE DELETED
- △3 PARTS PACKED IN PLASTIC BAG. HANGER STRIPS OF 10 BAGS, 100 PIECES EACH
- △4 COLOUR TYPE 1: COLOUR PER FRENCH STANDARD
COLOUR TYPE DIN: COLOUR PER DIN 46228 PART 4
- △5 MAX.INSULATION DIA. OF WIRE: d₂ MIN. -0.1
- 6. NOTE DELETED
- 7. NOTE DELETED.
- △8 0.6MM ALLOWABLE MOLDING FLASH PRESENT IN THIS ZONE.
- △9 MATERIAL:
METAL SLEEVE - COPPER
PLASTIC SLEEVE - POLYPROPYLENE
- △10 FINISH:
METAL SLEEVE - TIN PLATE 3µm MIN THICKNESS
PLASTIC SLEEVE COLOR - SEE TABLE
- 11. MAXIMUM RECOMMENDED TEMPERATURE 105°C
- 12. PARTS PER DIN 46228 PART 4 UNLESS OTHERWISE NOTED
- △13 DIMENSIONS DO NOT CONFORM TO DIN 46228 PART 4

PACKAGING AND LABELING



SHOWN IS HANGER STRIP PACKING WITH STANDARD LABEL INFORMATION

THIS DRAWING IS A CONTROLLED DOCUMENT.		DWN R.SCHMIDT 28-FEB-94		
DIMENSIONS: mm		CHK W.BÖCK 15-JUN-94		
TOLERANCES UNLESS OTHERWISE SPECIFIED: 0 PLC ± - 1 PLC ± - 2 PLC ± - 3 PLC ± - 4 PLC ± - ANGLES / WINKEL ± -		APVD G.FELDMEIER 29-NOV-00	NAME G.FELDMEIER	
MATERIAL △9		FINISH △10	PRODUCT SPEC APPLICATION SPEC	
CUSTOMER DRAWING		WEIGHT -	SIZE A2	CAGE CODE 00779
SCALE -		DRAWING NO C=966293		RESTRICTED TO -
SHEET 1 OF 1		REV A7		