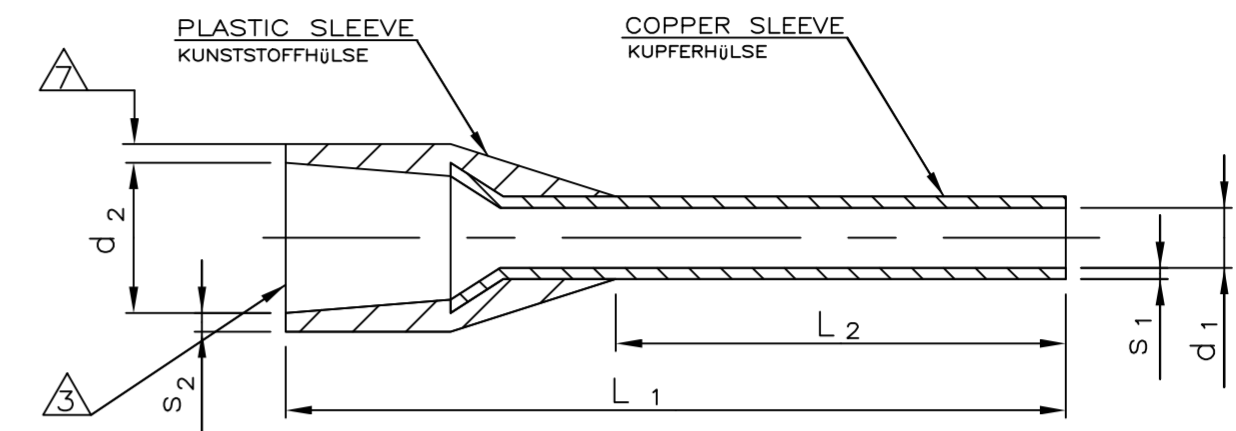


REVISIONS				
P	LTR	DESCRIPTION	DATE	APVD
B7		REVISED PER ECR-23-166943	02MAR2023	BB DSC

PART NO. BESTELL-NR.	SIZE		RECOMMENDED STRIP LENGTH ABISOLIER-LÄNGE	MINIMUM PULL-OUT STRENGTH SLEEVE STRAND CONDUCTOR MINDEST-AUSZUGSKRAFT HÜLSE LITZENLEITER	COLOUR FARBE	d <sub>1</sub> /mm	d <sub>2</sub> /mm	L <sub>1</sub> /mm	L <sub>2</sub> /mm	s <sub>1</sub> /mm	s <sub>2</sub> /mm	COLOR TYPE	PACKAGE QTY VERPACKUNGSEINHEIT PARTS/STÜCK BAG/BEUTEL
	mm <sup>2</sup>	AWG											
966 067-1	0.50	20	8.5+0.2	20	WHITE WEIß	1.0 +0.14	2.6 ±0.2	12.0 ±1.5	6.0 ±0.4	0.15 ±0.05	0.25 ±0.10	DIN/1	500
966 067-2	0.50	20	10.5+0.2	20	WHITE WEIß	1.0 +0.14	2.6 ±0.2	14.0 ±1.5	8.0 ±0.4	0.15 ±0.05	0.25 ±0.10	DIN/1	500
966 067-3	0.50	20	12.5+0.2	20	WHITE WEIß	1.0 +0.14	2.6 ±0.2	16.0 ±1.5	10.0 ±0.4	0.15 ±0.05	0.25 ±0.10	DIN/1	500
966 067-4	0.75	18	8.5+0.2	30	GREY GRAU	1.2 +0.14	2.8 ±0.2	12.0 ±1.5	6.0 ±0.4	0.15 ±0.05	0.25 ±0.10	DIN	500
966 067-5	0.75	18	10.5+0.2	30	GREY GRAU	1.2 +0.14	2.8 ±0.2	14.0 ±1.5	8.0 ±0.4	0.15 ±0.05	0.25 ±0.10	DIN	500
966 067-6	0.75	18	12.5+0.2	30	GREY GRAU	1.2 +0.14	2.8 ±0.2	16.0 ±1.5	10.0 ±0.4	0.15 ±0.05	0.25 ±0.10	DIN	500
966 067-7	0.75	18	14.5+0.2	30	GREY GRAU	1.2 +0.14	2.8 ±0.2	18.0 ±1.5	12.0 ±0.6	0.15 ±0.05	0.25 ±0.10	DIN	500
966 067-8	1.00	18	8.5+0.2	35	RED ROT	1.4 +0.14	3.0 ±0.2	12.0 ±1.5	6.0 ±0.4	0.15 ±0.05	0.25 ±0.10	DIN/1	500
966 067-9	1.00	18	10.5+0.2	35	RED ROT	1.4 +0.14	3.0 ±0.2	14.0 ±1.5	8.0 ±0.4	0.15 ±0.05	0.25 ±0.10	DIN/1	500
1-966 067-0	1.00	18	12.5+0.2	35	RED ROT	1.4 +0.14	3.0 ±0.2	16.0 ±1.5	10.0 ±0.4	0.15 ±0.05	0.25 ±0.10	DIN/1	500
1-966 067-1	1.00	18	14.5+0.2	35	RED ROT	1.4 +0.14	3.0 ±0.2	18.0 ±1.5	12.0 ±0.6	0.15 ±0.05	0.25 ±0.10	DIN/1	500
1-966 067-2	1.50	16	10.5+0.2	40	BLACK SCHWARZ	1.7 +0.25	3.5 ±0.2	14.0 ±1.5	8.0 ±0.4	0.15 ±0.05	0.25 ±0.10	DIN/1	500
1-966 067-3	1.50	16	12.5+0.2	40	BLACK SCHWARZ	1.7 +0.25	3.5 ±0.2	16.0 ±1.5	10.0 ±0.4	0.15 ±0.05	0.25 ±0.10	DIN/1	500
1-966 067-4	1.50	16	14.5+0.2	40	BLACK SCHWARZ	1.7 +0.25	3.5 ±0.2	18.0 ±1.5	12.0 ±0.6	0.15 ±0.05	0.25 ±0.10	DIN/1	500
1-966 067-5	1.50	16	20.5+0.2	40	BLACK SCHWARZ	1.7 +0.25	3.5 ±0.2	24.0 ±2.0	18.0 ±0.6	0.15 ±0.05	0.25 ±0.10	DIN/1	500
1-966 067-6	2.50	14	10.5+0.2	50	BLUE BLAU	2.2 +0.25	4.2 ±0.2	14.0 ±1.5	8.0 ±0.4	0.15 ±0.05	0.25 ±0.10	DIN/2	500
1-966 067-7	2.50	14	14.5+0.2	50	BLUE BLAU	2.2 +0.25	4.2 ±0.2	18.0 ±1.5	12.0 ±0.6	0.15 ±0.05	0.25 ±0.10	DIN/2	500
1-966 067-8	2.50	14	20.5+0.2	50	BLUE BLAU	2.2 +0.25	4.2 ±0.2	24.0 ±2.0	18.0 ±0.6	0.15 ±0.05	0.25 ±0.10	DIN/2	500
1-966 067-9	4.00	12	12.5+0.2	60	GREY GRAU	2.8 +0.25	4.8 ±0.4	17.0 ±1.5	10.0 ±0.4	0.20 ±0.05	0.30 ±0.10	DIN/2	500
2-966 067-0	4.00	12	14.5+0.2	60	GREY GRAU	2.8 +0.25	4.8 ±0.4	20.0 ±1.5	12.0 ±0.6	0.20 ±0.05	0.30 ±0.10	DIN/2	500
2-966 067-1	4.00	12	20.5+0.2	60	GREY GRAU	2.8 +0.25	4.8 ±0.4	26.0 ±2.0	18.0 ±0.6	0.20 ±0.05	0.30 ±0.10	DIN/2	100
2-966 067-2	6.00	10	15.5+0.2	80	YELLOW GELB	3.5 +0.30	6.3 ±0.4	20.0 ±1.5	12.0 ±0.6	0.20 ±0.05	0.30 ±0.10	DIN	100
2-966 067-3	6.00	10	22.5+0.2	80	YELLOW GELB	3.5 +0.30	6.3 ±0.4	26.0 ±2.0	18.0 ±0.6	0.20 ±0.05	0.30 ±0.10	DIN	100
2-966 067-4	10.00	8	15.5+0.2	90	RED ROT	4.5 +0.30	7.6 ±0.4	22.0 ±2.0	12.0 ±0.6	0.20 ±0.05	0.40 ±0.15	DIN	100
2-966 067-5	10.00	8	22.5+0.2	90	RED ROT	4.5 +0.30	7.6 ±0.4	28.0 ±2.0	18.0 ±0.6	0.20 ±0.05	0.40 ±0.15	DIN	100
2-966 067-6	16.00	6	16.5+0.2	100	BLUE BLAU	5.8 +0.30	8.8 ±0.4	24.0 ±2.0	12.0 ±0.6	0.20 ±0.05	0.40 ±0.15	DIN	100
2-966 067-7	16.00	6	22.5+0.2	100	BLUE BLAU	5.8 +0.30	8.8 ±0.4	28.0 ±2.0	18.0 ±0.6	0.20 ±0.05	0.40 ±0.15	DIN	100



- 1 THE AWG CROSS-SECTION CAN DIFFER SLIGHTLY FROM THE DIN-STANDARD CROSS-SECTION VALUES
- 2 NOTE DELETED
- 3 MAX. INSULATION-DIA. OF WIRE: d<sub>2</sub> MIN.- 0.1
- 4 PARTS PER DIN 46228 PART 4  
COLOUR TYPE 1: COLOUR PER FRENCH STANDARD  
COLOUR TYPE 2: COLOUR PER GERMAN STANDARD  
COLOUR TYPE DIN: COLOUR PER DIN 46228 PART 4
- 5. NOTE DELETED
- 6. NOTE DELETED.
- 7 0.6MM ALLOWABLE MOLDING FLASH PRESENT IN THIS ZONE.
- 8 PARTS PACKED IN PLASTIC BAG, LOOSE PIECE
- 9 MATERIAL:  
METAL SLEEVE - COPPER  
PLASTIC SLEEVE - POLYPROPYLENE
- 10 FINISH:  
METAL SLEEVE - TIN PLATE 3µm MIN THICKNESS  
PLASTIC SLEEVE COLOR - SEE TABLE
- 11 MAXIMUM RECOMMENDED TEMAPERATURE 105°C
- 12 CSA APPROVED, FILE 701553

THIS DRAWING IS A CONTROLLED DOCUMENT.		DWN R. SCHMIDT 13NOV1996																				
DIMENSIONS: mm		CHK W.BoCK 13NOV1996																				
TOLERANCES UNLESS OTHERWISE SPECIFIED:		APVD G. FELDMEIER 13NOV1996	NAME																			
<table border="0"> <tr><td>0 PLC</td><td>±</td><td>-</td></tr> <tr><td>1 PLC</td><td>±</td><td>-</td></tr> <tr><td>2 PLC</td><td>±</td><td>-</td></tr> <tr><td>3 PLC</td><td>±</td><td>-</td></tr> <tr><td>4 PLC</td><td>±</td><td>-</td></tr> <tr><td>ANGLES</td><td>±</td><td>-</td></tr> </table>		0 PLC	±	-	1 PLC	±	-	2 PLC	±	-	3 PLC	±	-	4 PLC	±	-	ANGLES	±	-	PRODUCT SPEC	WIRE FERRULE WITH PLASTIC SLEEVE, SINGLE CONDUCTOR, DIN 46228 PART 4, LOOSE PIECE DIN, FRENCH & GERMAN COLOR CODING	
0 PLC	±	-																				
1 PLC	±	-																				
2 PLC	±	-																				
3 PLC	±	-																				
4 PLC	±	-																				
ANGLES	±	-																				
MATERIAL		APPLICATION SPEC	SIZE	RESTRICTED TO																		
FINISH		WEIGHT	A2																			
9		CAGE CODE																				
10		DRAWING NO																				
		00779																				
		C=966067																				
CUSTOMER DRAWING		SCALE																				
		1:1																				
		SHEET																				
		1 OF 1																				
		REV																				
		B7																				