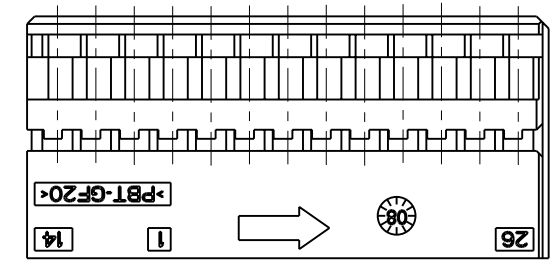
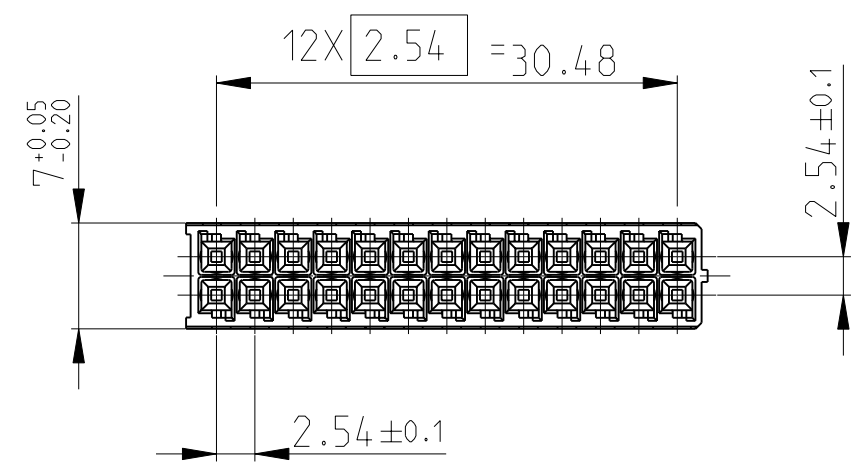
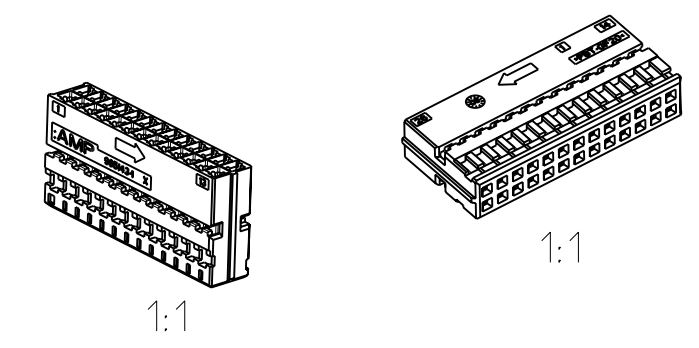
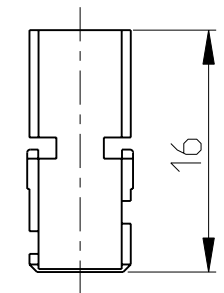
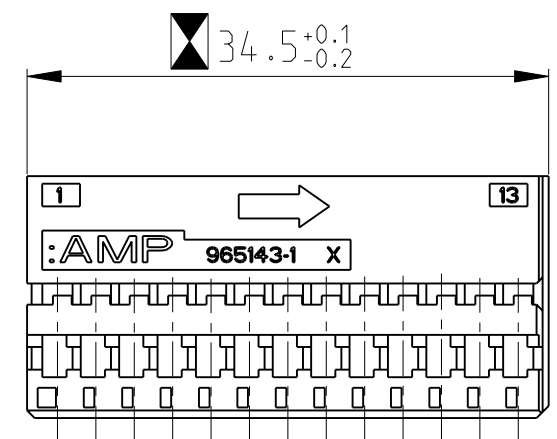


THIS DRAWING IS UNPUBLISHED. RELEASED FOR PUBLICATION 20  
 © COPYRIGHT 20 BY TYCO ELECTRONICS CORPORATION. ALL RIGHTS RESERVED.

LOC	DIST	REVISIONS					
		P	LTR	DESCRIPTION	DATE	DWN	APVD
A1	-		1	PN Für passende Kontakte hinzu	01OCT1992	STEINBACH	-
			A1	SEE ECR-09-016036	17JUL2009	HM	GS



NOTES  
Bemerkungen

- 1 DIMENSION FOR SPC  
Maße für Statistische Prozess-Kontrolle
- 2 PACKING: BULK PACKAGING  
Verpackung: Schüttgut
- 3 ALLOWABLE MQS TERMINALS: TE-PART NO 928999-1 / -5 (DGB 0.2 - 0.5mm<sup>2</sup>)  
and TE-PART NO 963715-1 / -5 (DGB 0.5 - 0.75mm<sup>2</sup>)  
Passende MQS-Kontakte: TE-Part-Nr. 928999-1 / -5 (DGB 0.2 - 0.5mm<sup>2</sup>)  
und TE-Part-Nr. 963715-1 / -5 (DGB 0.5 - 0.75mm<sup>2</sup>)

TE-PART NO	REV	PCS	DESCRIPTION	MATERIAL	COLOUR	ITEM NO
965143-1	A	1	SOCKET HOUSING	PBT-GF20	BLACK	

PARTS LIST

THIS DRAWING IS A CONTROLLED DOCUMENT FOR TYCO ELECTRONICS CORPORATION IT IS SUBJECT TO CHANGE AND THE CONTROLLING ENGINEERING ORGANIZATION SHOULD BE CONTACTED FOR THE LATEST REVISION.

DIMENSIONS:	TOLERANCES UNLESS OTHERWISE SPECIFIED:
mm	
	0 PLC ±0.3
	1 PLC ±0.3
	2 PLC ±0.3
	3 PLC ±
	4 PLC ±
	ANGLES ±
	ANGLES ±2°
MATERIAL -	FINISH -

DWN R. JAKLIN	19MAY1992	Tyco Electronics AMP GmbH 64625 Bensheim (Germany)	
CHK -	-	NAME 2x13POS. MQS SOCKET HOUSING 2x13pol. MQS Buchsengehaeuse	
APVD -	-	SIZE A3	RESTRICTED TO -
PRODUCT SPEC -	-	CAGE CODE 00779	REV A1
APPLICATION SPEC -	-	DRAWING NO C-965143	
WEIGHT -	-	SCALE 2:1	SHEET 1 OF 1
CUSTOMER DRAWING			